

## Power Operational Amplifiers

### FEATURES

- ◆ Power Bandwidth 170  $V_{P-P}$ , 2 MHz
- ◆ Output Voltage up to 180 Vp-p
- ◆ High Slew Rate 2500 V/ $\mu$ s Minimum with  $A_{CL} = 20$
- ◆ High Gain Bandwidth Product 180 MHz
- ◆ High Output Current  $\pm 1.5$  A Steady State Within SOA
- ◆ High Peak Output Current  $\pm 5$  A

### APPLICATIONS

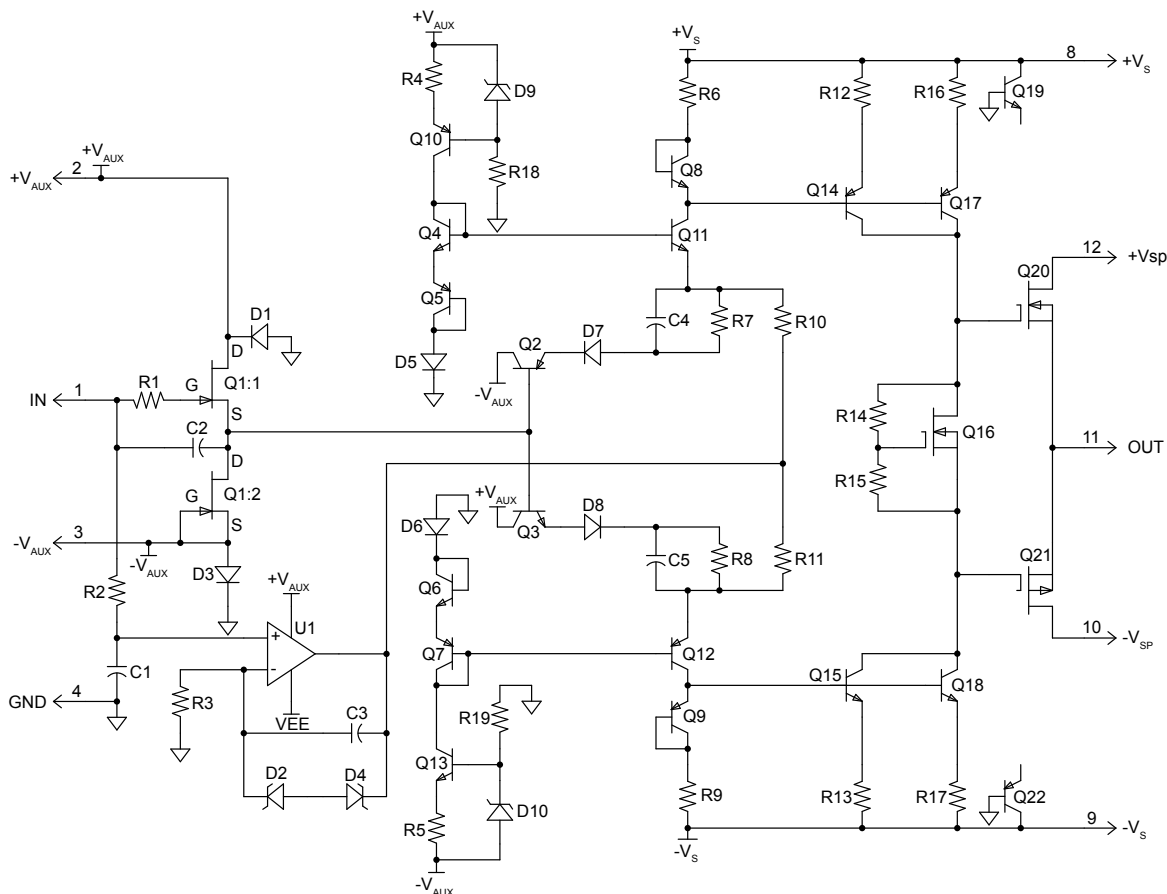
- ◆ Piezo Drive
- ◆ CRT Beam Intensity Control
- ◆ ATE Applications
- ◆ Line Driver

### GENERAL DESCRIPTION

The PA107DP is a state of the art wideband high power operational amplifier designed to drive resistive, capacitive or inductive loads. For optimum linearity the output stage is biased for class A/B operation. Feed forward technology is used to obtain wide bandwidth and excellent DC performance, but constricts use to inverting mode only. External compensation allows the user to obtain both high gain and wide bandwidth. Use of a heatsink is required to realize the SOA.

This hybrid integrated circuit uses thick film resistors, ceramic capacitors, and semiconductors to maximize reliability, minimize size, and give top performance. Ultrasonically bonded aluminum wires provide reliable interconnections at all operating temperatures. The 12 pin SIP package occupies only 2 square inches. The use of compressible insulation washers voids the warranty.

### EQUIVALENT SCHEMATIC



## 1. CHARACTERISTICS AND SPECIFICATIONS

### ABSOLUTE MAXIMUM RATINGS

Parameter	Symbol	Min	Max	Units
SUPPLY VOLTAGE, $+V_S$ to $-V_S$		40	200	V
SUPPLY VOLTAGE, $-V_S$		-20	-100	V
SUPPLY VOLTAGE, $-V_{AUX}$ to $+V_{AUX}$		20	36	V
SUPPLY VOLTAGE, $-V_{AUX}$		-10	-18	V
OUTPUT CURRENT, Steady State, (Within SOA)			1.5	A
OUTPUT CURRENT, peak, (Within SOA)			5	A
POWER DISSIPATION, internal, DC			62.5	W
INPUT VOLTAGE		$-V_{AUX} + 2$	$+V_{AUX} - 2$	V
TEMPERATURE, pin solder, 10s			260	°C
TEMPERATURE, junction (Note 2)			150	°C
TEMPERATURE RANGE, storage		-55	125	°C
OPERATING TEMPERATURE, case		-25	85	°C

### SPECIFICATIONS

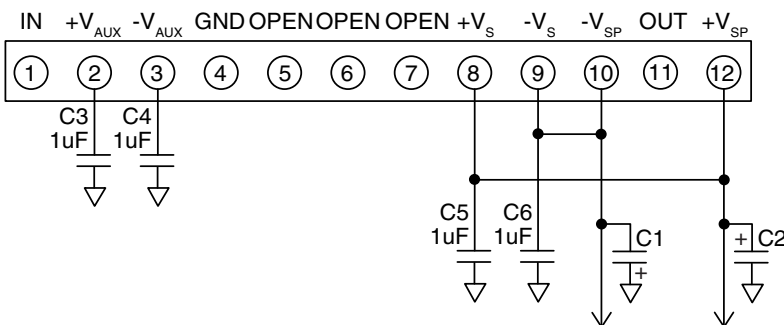
Parameter	Test Conditions	Min	Typ	Max	Units
	$V_S = 100V, -V_S = -100V,$ $V_{AUX} = 15V, -V_{AUX} = -15V$				
<b>INPUT</b>					
OFFSET VOLTAGE			5	10	mV
OFFSET VOLTAGE vs. temperature			10		$\mu V/^\circ C$
BIAS CURRENT, initial (Note 3)			300		pA
INPUT RESISTANCE, DC		13			G $\Omega$
INPUT CAPACITANCE			2		pF
INPUT VOLTAGE RANGE		$-V_{AUX} + 2$		$+V_{AUX} - 2$	V
NOISE, RTI	1k source, 500 kHz BW, $A_{CL} 101$		13		nV/ $\sqrt{Hz}$
<b>GAIN</b>					
OPEN LOOP GAIN @ DC			140		dB
OPEN LOOP GAIN @ 1MHz			40		dB
POWER BANDWIDTH, 170Vp-p	Full temperature range	2			MHz
<b>OUTPUT</b>					
VOLTAGE SWING	10M $\Omega$ in parallel with 10 pf		187		$V_{P-P}$
VOLTAGE SWING	$I_O = 1.5A$	$\pm V_S \pm 10$			V
CURRENT, peak				$\pm 5$	A
CURRENT, Steady State (within SOA)				$\pm 1.5$	A
SLEW RATE, 25% to 75%		2500	3000		V/ $\mu S$
SETTLING TIME to 0.1%			12		$\mu S$

Parameter	Test Conditions	Min	Typ	Max	Units
<b>POWER SUPPLY</b>					
VOLTAGE, +V <sub>S</sub>		20		100	V
VOLTAGE, -V <sub>S</sub>		-100		-20	V
VOLTAGE, +V <sub>AUX</sub>		10	15	18	V
VOLTAGE, -V <sub>AUX</sub>		-18	-15	-10	V
CURRENT, QUIESCENT, +V <sub>S</sub>		20	30	35	mA
CURRENT, QUIESCENT, -V <sub>S</sub>		20	30	35	mA
CURRENT, QUIESCENT, -V <sub>AUX</sub>			19	21	mA
CURRENT, QUIESCENT, +V <sub>AUX</sub>			19	21	mA
<b>THERMAL</b>					
RESISTANCE, AC, junction to case (Note 6)				1.5	°C/W
RESISTANCE, DC junction to case				2	°C/W
RESISTANCE, junction to air				30	°C/W
TEMPERATURE RANGE, case		-25		85	°C

**NOTES:**

1. All Min/Max characteristics and specifications are guaranteed over the Specified Operating Conditions. Typical performance characteristics and specifications are derived from measurements taken at typical supply voltages and T<sub>c</sub> = 25°C.
2. Long term operation at the maximum junction temperature will result in reduced product life. Derate power dissipation to achieve high MTTF.
3. Doubles for every 10°C of case temperature increase.
4. +V<sub>S</sub> and -V<sub>S</sub> denote the positive and negative supply voltages to the output stages.
5. +V<sub>AUX</sub> and -V<sub>AUX</sub> denote the positive and negative supply voltages to the input stages.
6. Rating applies if the output current alternates between both output transistors at a rate faster than 60Hz.

**EXTERNAL CONNECTIONS**

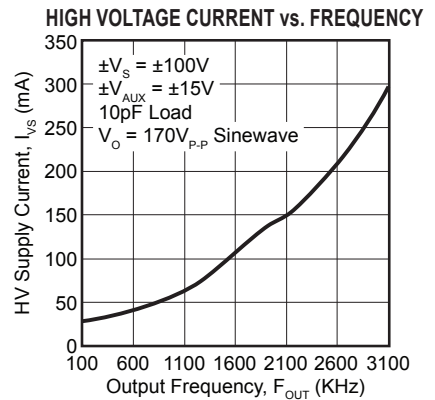
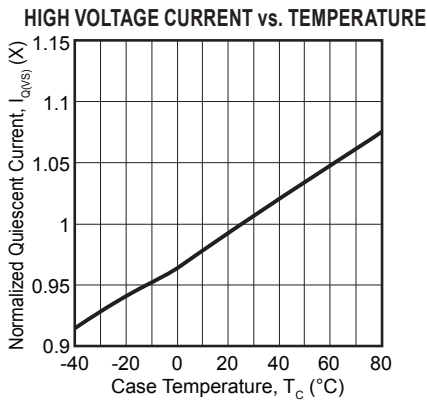
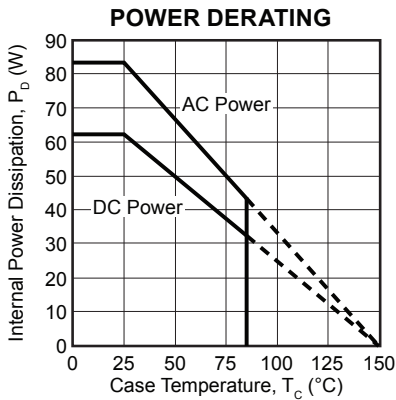
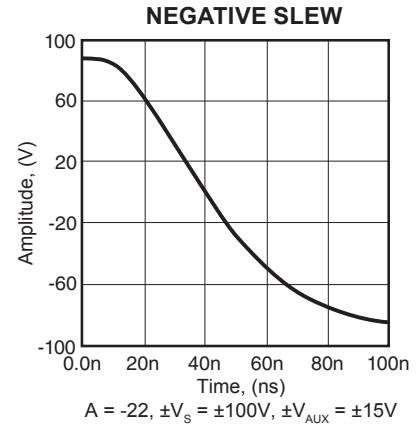
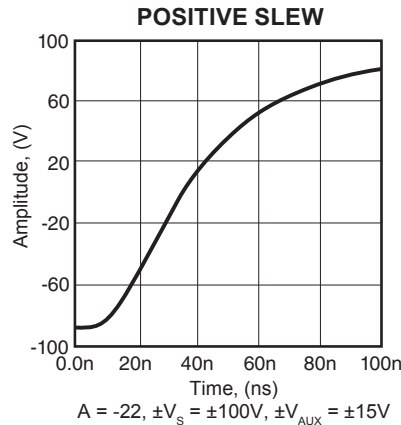
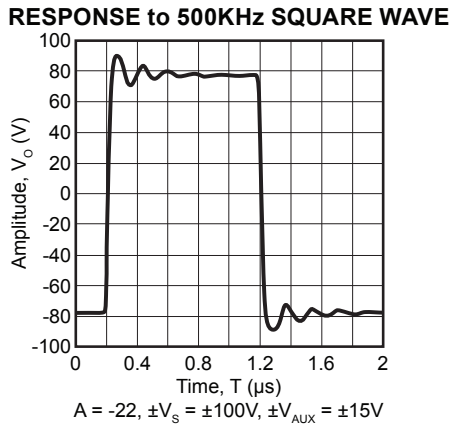
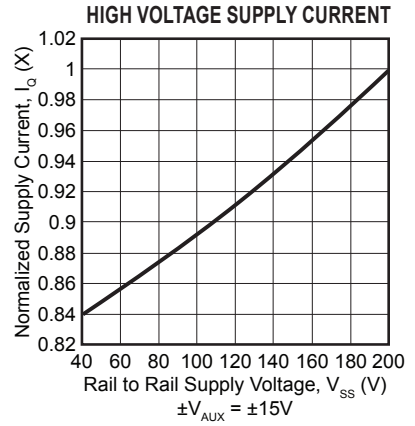
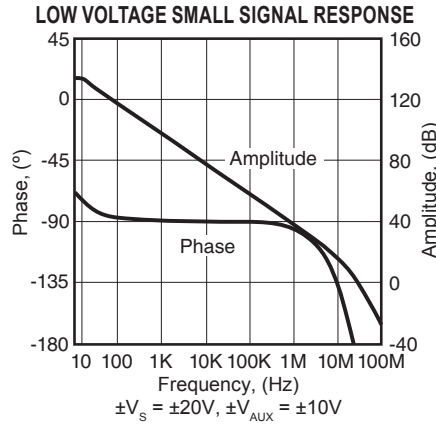
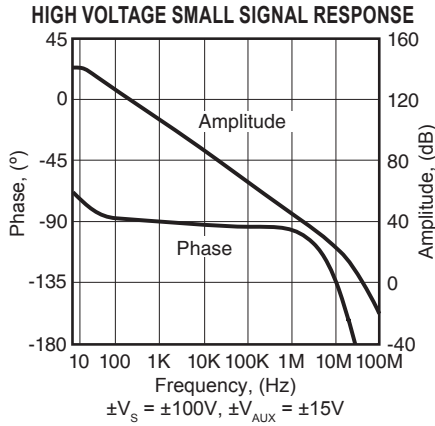


C1-2 = 10uF/A out (peak), electrolytic/tantalum, low frequency bypass.  
 C3-4 = 1uF 25V X7R ceramic capacitor recommended.  
 C5-6 = 1uF 200V X7R ceramic capacitor recommended.



**12-pin SIP**  
**Package Style DP**  
 Formed leads available  
 See Package Style EE

## 2. TYPICAL PERFORMANCE GRAPHS



## PIN DESCRIPTIONS

Pin #	Pin name	Description
1	IN	Summing Junction Input for Inverting Operational Amplifier
2	+V <sub>AUX</sub>	+10V to +18V Supply for Input Circuits
3	-V <sub>AUX</sub>	-10V to -18V Supply for Input Circuits
4	GND	Ground
5		Open Pin
6		Open Pin
7		Open Pin
8	+V <sub>S</sub>	+20V to +100V Supply for Gain and Gate Driver Circuits
9	-V <sub>S</sub>	-20V to -100V Supply for Gain and Gate Driver Circuits
10	-V <sub>SP</sub>	-20V to -100V Supply for Output Source Follower
11	OUT	High Power Output of Amplifier
12	+V <sub>SP</sub>	+20V to +100V Supply for Output Source Follower

### 3. GENERAL

Please read Application Note 1 “General Operating Considerations” which covers stability, power supplies, heat sinking, mounting, current limit, SOA interpretation, and specification interpretation. Visit [www.cirrus.com](http://www.cirrus.com) for design tools that help automate tasks such as calculations for stability, internal power dissipation, current limit, heat sink selection, complete Application Notes library, Technical Seminar Workbook and Evaluation Kits.

### CAUTION

In order to achieve the highest speed with limited space short circuit protection and thermal protection were sacrificed. Do not short the output. Note that if current limiting at 1.5 A could be used, and the output was shorted, internal dissipation would be 150 W. This would still destroy the amplifier, albeit more slowly.

### 4. INTERNAL POWER DISSIPATION AND HEATSINK SELECTION

With the unique combination of high voltage and speed of the PA107, traditional formulas for heatsink selection will falsely lower the apparent power handling capability of this amplifier. To predict operating temperatures use the following procedure:

Find internal dissipation (PD) resulting from driving the load. Refer to Apex Applications Note 1, General Operating Considerations, paragraph 7. Find total quiescent power (PD<sub>Q</sub>) by multiplying 0.035 A by V<sub>SS</sub> (total supply voltage), plus 0.021 times the total V<sub>AUX</sub> (+V<sub>AUX</sub> + |-V<sub>AUX</sub>|). Find output stage quiescent power (PD<sub>QOUT</sub>) by multiplying 0.001 by V<sub>SS</sub>.

Calculate a heatsink rating which will maintain the case at 85°C or lower.

$$R_{\theta SA} = \frac{T_C - T_A}{PD + PD_Q} - 0.1^\circ\text{C/W}$$

Where:

T<sub>C</sub> = maximum case temperature allowed  
T<sub>A</sub> = maximum ambient temperature encountered

$$R_{\theta SA} = \frac{T_J - T_A - (PD + PD_{QOUT}) \cdot R_{\theta JC}}{PD + PD_Q} - 0.1^\circ\text{C/W}$$

Calculate a heatsink rating which will maintain output transistor junctions at 150°C or lower.

Where:

T<sub>J</sub> = maximum junction temperature allowed.  
R<sub>θJC</sub> = AC or DC thermal resistance from the specification table.

Use the larger heatsink of these two calculations.

## 5. REACTIVE LOADS

The PA107DP is stable at a gain of 20 or above when driving either inductive or capacitive loads. However an inductor is essentially a short circuit at DC, therefore there must be enough resistance in series to keep low frequency power within ratings.

When driving a 1nF capacitive load with a 180 V<sub>p,p</sub> square wave, the current peak is 1 A. Driving the same capacitor with a 2.3 MHz sine wave, the power bandwidth frequency, results in 2.6 A<sub>p,p</sub>. The power dissipated in the amplifier while driving a purely capacitive load is given by the formula:

$$P = 2V_{PK} V_S / \pi X_C$$

$$P = 2I_{PK} V_S / \pi$$

Where:

V<sub>PK</sub> = Peak Voltage

V<sub>S</sub> = Supply Voltage

X<sub>C</sub> = Capacitive Reactance

Notice that the power increases as V<sub>PK</sub> increases, such that the maximum internal dissipation occurs when V<sub>PK</sub> is maximum. The power dissipated in the amplifier while driving 1 nF at 2.3 MHz would be 82.76 W. This would not be a good thing to do! But driving 1 nF at 1 MHz at 180V<sub>p,p</sub> would result in 36.0 W, which could be within the AC power rating.

This formula is optimistic; it is derived for an ideal class B amplifier output stage.

## 6. FEEDBACK CONSIDERATIONS

The output voltage of an unloaded PA107DP can easily go as high as 95 V. All of this voltage can be applied across the feedback resistor, so the minimum value of a ½ W resistor in the feedback is 18050Ω. Practically, 20K is the minimum value for a un-derated ½ W feedback resistor.

In order to provide the maximum slew rate, power bandwidth, and usable gain bandwidth; the PA107DP is not designed to be unity gain stable. It is necessary to add external compensation for gains less than 20. Often lower performance op-amps may be stabilized with a capacitor in parallel with the feedback resistor. This is because there is effectively one additional pole affecting the response. In the case of the PA107DP, however there are multiple poles clustered near 30 MHz, therefore this approach does not work. A method of compensation that works is to choose a feedback capacitor such that the time constant of the feedback capacitor times the feedback resistor is greater than 33 n-seconds. Also install a capacitor from pin 1 to ground, the summing junction, greater than 20 times as large as the feedback capacitor. The feedback capacitor or summing junction capacitor without the other will degrade stability and often cause oscillation. With the compensation described the closed loop bandwidth will be the reciprocal of 2πτ<sub>FB</sub>.

Alternatively, at the expense of noise and offset, the amplifier can be stabilized by a resistor across the summing junction such that the parallel combination of the input resistor and summing junction resistor is less than a twentieth of the value of the feedback resistor. Note that this will increase noise and offset by to 20 times the RTI values, but with 10 mV max offset and 13 nV/(Hz)<sup>1/2</sup> noise, performance will be acceptable for many applications.

As seen by the very small values of capacitance used in compensation for low gain, stray feedback capacitance and/or summing junction capacitance can have a VERY large effect on performance. Therefore stray capacitance must be minimized in the layout. The summing junction lead must be as short as possible, and ground plane must be kept away from the summing junction lead.

## 7. SLEW RATE AND FULL POWER BANDWIDTH

In the PA107DP the slew rate is measured from the 25% point to the 75% point of a 180V<sub>p,p</sub> square wave. Slew rate is measured with no load and with auxiliary supplies at a nominal ±15 V and V<sub>S</sub> supplies at a maximum ±100V.

Power bandwidth is defined as the highest frequency at which an unloaded amplifier can have an undistorted sine wave at full power as its output. This frequency can be calculated as the slew rate divided by π times the peak to peak amplitude; which would be 4.7 MHz for the PA107DP. Unfortunately running full output at this frequency causes internal dissipation of up to 107 W, well over the power limits for the PA107DP. Cutting the frequency to 2 MHz reduces internal dissipation to 34 W, acceptable with a good heatsink.

## 8. SAFE OPERATING AREA (SOA)

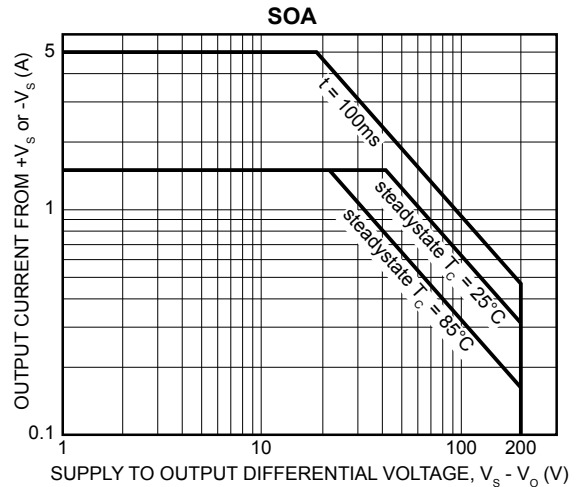
The MOSFET output stage of this power operational amplifier has two distinct limitations:

1. The current handling capability of the MOSFET geometry and the wire bonds.
2. The junction temperature of the output MOSFETs.

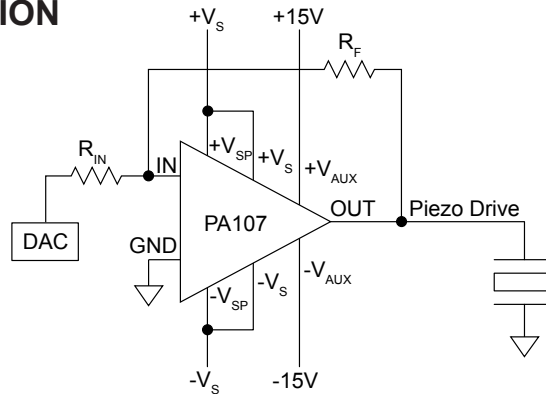
NOTE: The output stage is protected against transient flyback. However, for protection against sustained, high energy flyback, external fast-recovery diodes should be used.

## 9. SAFE OPERATING CURVES

The safe operating area curves define the maximum additional internal power dissipation the amplifier can tolerate when it produces the necessary output to drive an external load. This is not the same as the absolute maximum internal power dissipation listed elsewhere in the specification since the quiescent power dissipation is significant compared to the total.



## 10. TYPICAL APPLICATION



## CONTACTING CIRRUS LOGIC SUPPORT

For all Apex Precision Power product questions and inquiries, call toll free 800-546-2739 in North America. For inquiries via email, please contact [apex.support@cirrus.com](mailto:apex.support@cirrus.com). International customers can also request support by contacting their local Cirrus Logic Sales Representative. To find the one nearest to you, go to [www.cirrus.com](http://www.cirrus.com)

### IMPORTANT NOTICE

Cirrus Logic, Inc. and its subsidiaries ("Cirrus") believe that the information contained in this document is accurate and reliable. However, the information is subject to change without notice and is provided "AS IS" without warranty of any kind (express or implied). Customers are advised to obtain the latest version of relevant information to verify, before placing orders, that information being relied on is current and complete. All products are sold subject to the terms and conditions of sale supplied at the time of order acknowledgment, including those pertaining to warranty, indemnification, and limitation of liability. No responsibility is assumed by Cirrus for the use of this information, including use of this information as the basis for manufacture or sale of any items, or for infringement of patents or other rights of third parties. This document is the property of Cirrus and by furnishing this information, Cirrus grants no license, express or implied under any patents, mask work rights, copyrights, trademarks, trade secrets or other intellectual property rights. Cirrus owns the copyrights associated with the information contained herein and gives consent for copies to be made of the information only for use within your organization with respect to Cirrus integrated circuits or other products of Cirrus. This consent does not extend to other copying such as copying for general distribution, advertising or promotional purposes, or for creating any work for resale.

CERTAIN APPLICATIONS USING SEMICONDUCTOR PRODUCTS MAY INVOLVE POTENTIAL RISKS OF DEATH, PERSONAL INJURY, OR SEVERE PROPERTY OR ENVIRONMENTAL DAMAGE ("CRITICAL APPLICATIONS"). CIRRUS PRODUCTS ARE NOT DESIGNED, AUTHORIZED OR WARRANTED TO BE SUITABLE FOR USE IN PRODUCTS SURGICALLY IMPLANTED INTO THE BODY, AUTOMOTIVE SAFETY OR SECURITY DEVICES, LIFE SUPPORT PRODUCTS OR OTHER CRITICAL APPLICATIONS. INCLUSION OF CIRRUS PRODUCTS IN SUCH APPLICATIONS IS UNDERSTOOD TO BE FULLY AT THE CUSTOMER'S RISK AND CIRRUS DISCLAIMS AND MAKES NO WARRANTY, EXPRESS, STATUTORY OR IMPLIED, INCLUDING THE IMPLIED WARRANTIES OF MERCHANTABILITY AND FITNESS FOR PARTICULAR PURPOSE, WITH REGARD TO ANY CIRRUS PRODUCT THAT IS USED IN SUCH A MANNER. IF THE CUSTOMER OR CUSTOMER'S CUSTOMER USES OR PERMITS THE USE OF CIRRUS PRODUCTS IN CRITICAL APPLICATIONS, CUSTOMER AGREES, BY SUCH USE, TO FULLY INDEMNIFY CIRRUS, ITS OFFICERS, DIRECTORS, EMPLOYEES, DISTRIBUTORS AND OTHER AGENTS FROM ANY AND ALL LIABILITY, INCLUDING ATTORNEYS' FEES AND COSTS, THAT MAY RESULT FROM OR ARISE IN CONNECTION WITH THESE USES.

Cirrus Logic, Cirrus, and the Cirrus Logic logo designs, Apex Precision Power, Apex and the Apex Precision Power logo designs are trademarks of Cirrus Logic, Inc. All other brand and product names in this document may be trademarks or service marks of their respective owners.