

# Power Operational Amplifier

## FEATURES

- WIDE SUPPLY RANGE —  $\pm 15V$  to  $\pm 150V$
- PROGRAMMABLE OUTPUT CURRENT LIMIT
- HIGH OUTPUT CURRENT — Up to  $\pm 150mA$
- LOW BIAS CURRENT — FET Input

## APPLICATIONS

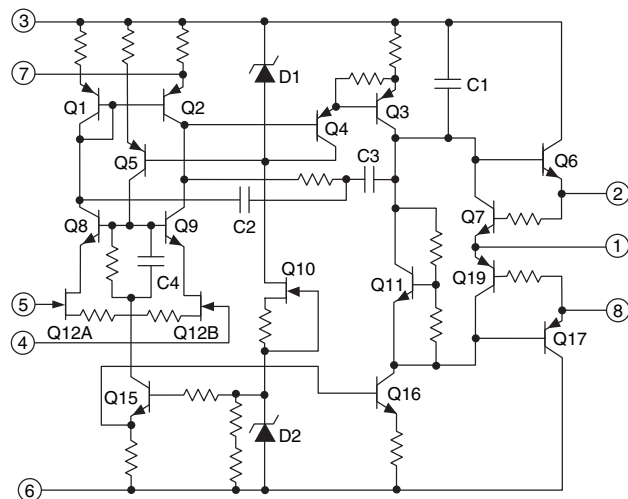
- HIGH VOLTAGE INSTRUMENTATION
- ELECTROSTATIC TRANSDUCERS & DEFLECTION
- PROGRAMMABLE POWER SUPPLIES UP TO 290V
- ANALOG SIMULATORS

## DESCRIPTION

The PA08 is a high voltage operational amplifier designed for output voltage swings of up to  $\pm 145V$  with a dual ( $\pm$ ) supply or 290V with a single supply. High accuracy is achieved with a cascode input circuit configuration. All internal biasing is referenced to a zener diode fed by a FET constant current source. As a result, the PA08 features an unprecedented supply range and excellent supply rejection. The output stage is biased-on for linear operation. Internal phase compensation assures stability at all gain settings. The safe operating area (SOA) can be observed with all types of loads by choosing the appropriate current limiting resistors. For operation into inductive loads, two external flyback pulse protection diodes are recommended. A heatsink may be necessary to maintain the proper case temperature under normal operating conditions.

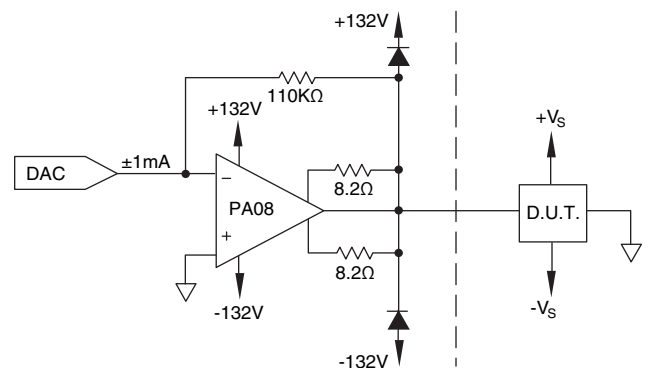
This hybrid integrated circuit utilizes beryllia (BeO) substrate, thick film resistors, ceramic capacitors and semiconductor chips to maximize reliability, minimize size and give top performance. Ultrasonically bonded aluminum wires provide reliable interconnections at all operating temperatures. The 8-pin TO-3 package is hermetically sealed and electrically isolated. The use of compressible thermal isolation washers and/or improper mounting torque will void the product warranty. Please see "General Operating Considerations".

## EQUIVALENT SCHEMATIC



8-PIN TO-3  
PACKAGE STYLE CE

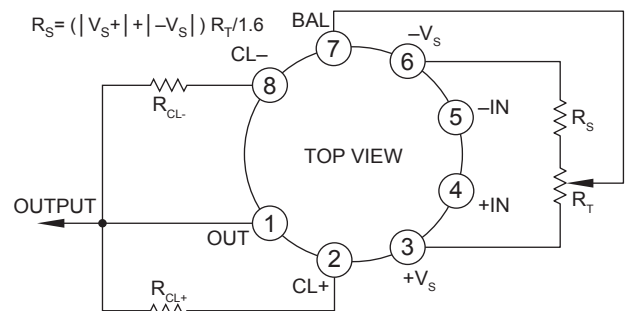
## TYPICAL APPLICATION



## ATE PIN DRIVER

The PA08 as a pin driver is capable of supplying high test voltages to a device under test (DUT). Due to the possibility of short circuits to any terminal of the DUT, current limit must be set to be safe when limiting with a supply to output voltage differential equal to the amplifier supply plus the largest magnitude voltage applied to any other pin of the DUT. In addition, flyback diodes are recommended when the output of the amplifier exits any equipment enclosure to prevent damage due to electrostatic discharges. Refer to Application Note 7 for details on accuracy considerations of this circuit.

## EXTERNAL CONNECTIONS



**ABSOLUTE MAXIMUM RATINGS**

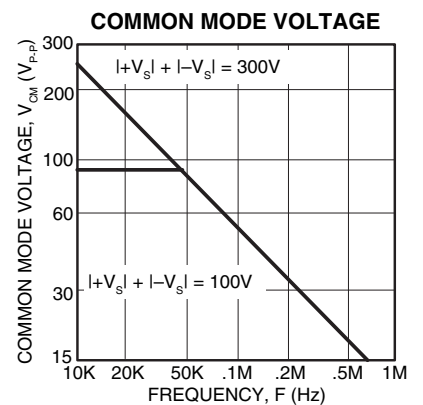
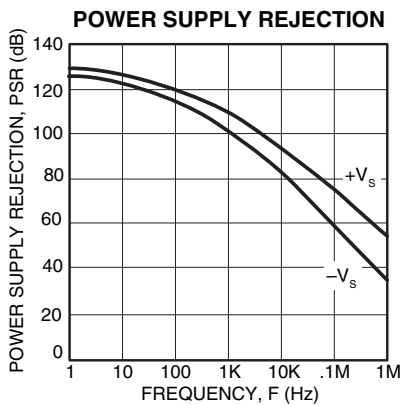
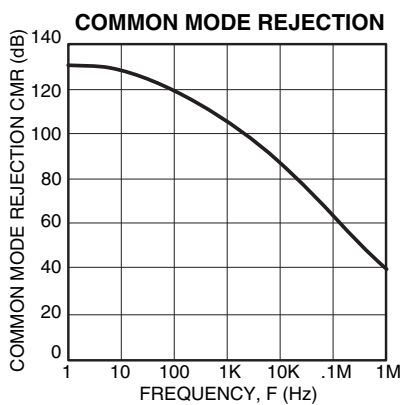
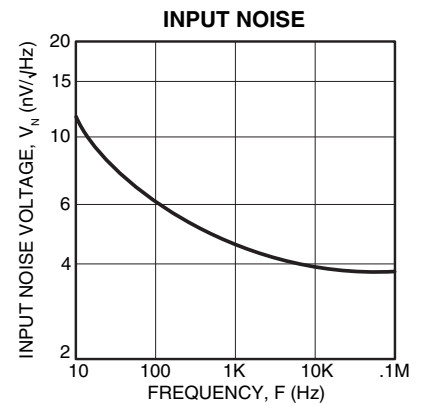
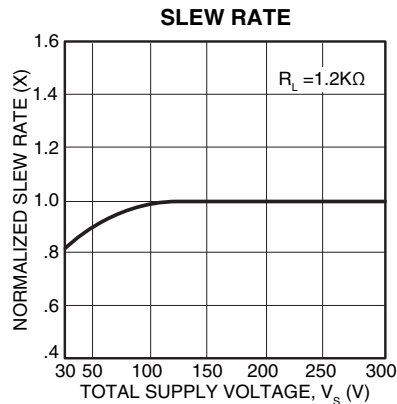
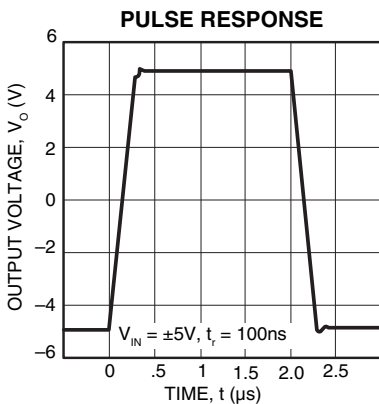
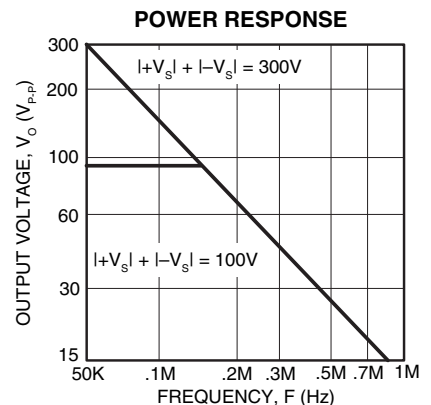
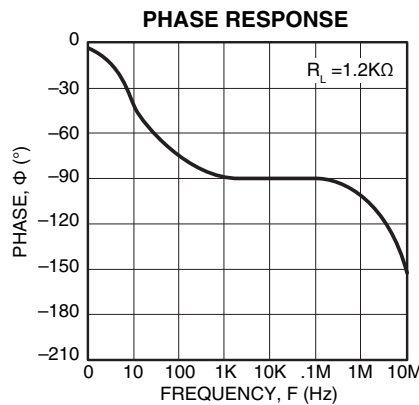
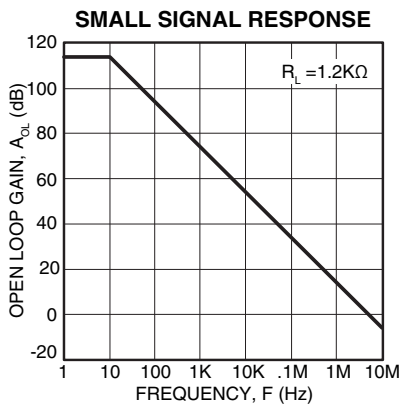
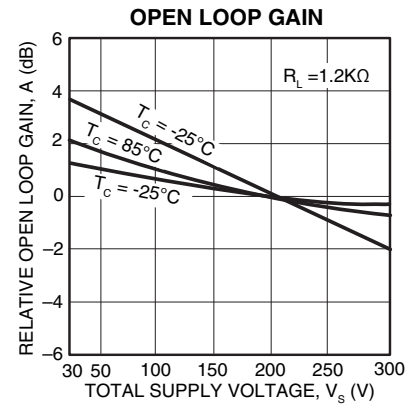
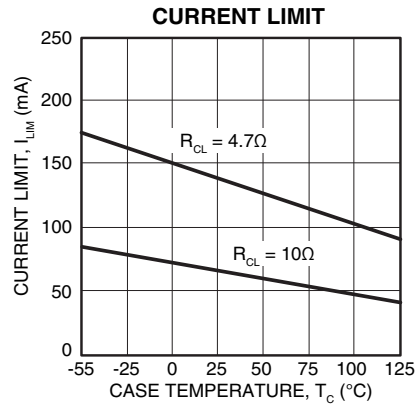
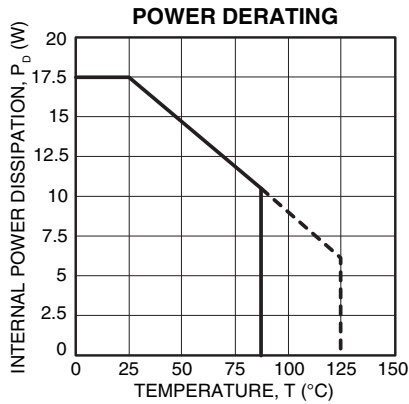
SUPPLY VOLTAGE, +V <sub>S</sub> to -V <sub>S</sub>	300V
OUTPUT CURRENT, within SOA	200mA
POWER DISSIPATION, internal at T <sub>C</sub> = 25°C	17.5W
INPUT VOLTAGE, differential	±50V
INPUT VOLTAGE, common mode	±V <sub>S</sub>
TEMPERATURE, pin solder - 10s max	350°C
TEMPERATURE, junction <sup>1</sup>	175°C
TEMPERATURE RANGE, storage	-65 to +150°C
OPERATING TEMPERATURE RANGE, case	-55 to +125°C

**SPECIFICATIONS**

PARAMETER	TEST CONDITIONS <sup>2</sup>	PA08			PA08A			UNITS
		MIN	TYP	MAX	MIN	TYP	MAX	
<b>INPUT</b>								
OFFSET VOLTAGE, initial	T <sub>C</sub> = 25°C		±.5	±2		±.25	±.5	mV
OFFSET VOLTAGE, vs. temperature	T <sub>C</sub> = -25°C to +85°C		±15	±30		±5	±10	μV/°C
OFFSET VOLTAGE, vs. supply	T <sub>C</sub> = 25°C		±.5			*	2	μV/V
OFFSET VOLTAGE, vs. time	T <sub>C</sub> = 25°C		±75			*		μV/jkh
BIAS CURRENT, initial <sup>3</sup>	T <sub>C</sub> = 25°C		5	50		3	10	pA
BIAS CURRENT, vs. supply	T <sub>C</sub> = 25°C		.01			*		pA/V
OFFSET CURRENT, initial <sup>3</sup>	T <sub>C</sub> = 25°C		±2.5	±50		±1.5	±10	pA
INPUT IMPEDANCE, DC	T <sub>C</sub> = 25°C		10 <sup>5</sup>			*		MΩ
INPUT CAPACITANCE	T <sub>C</sub> = 25°C		4			*		pF
COMMON MODE VOLTAGE RANGE <sup>4</sup>	T <sub>C</sub> = -25°C to +85°C	±V <sub>S</sub> -10			*			V
COMMON MODE REJECTION, DC	T <sub>C</sub> = -25°C to +85°C, V <sub>CM</sub> = ±90V		130			*		dB
<b>GAIN</b>								
OPEN LOOP GAIN at 10Hz	T <sub>C</sub> = 25°C, R <sub>L</sub> = ∞		118			*		dB
OPEN LOOP GAIN at 10Hz	T <sub>C</sub> = 25°C, R <sub>L</sub> = 1.2KΩ	96	111		*	*		dB
GAIN BANDWIDTH PRODUCT at 1MHz	T <sub>C</sub> = 25°C, R <sub>L</sub> = 1.2KΩ		5			*		MHz
POWER BANDWIDTH	T <sub>C</sub> = 25°C, R <sub>L</sub> = 1.2KΩ		90			*		kHz
PHASE MARGIN	T <sub>C</sub> = -25 to +85°C		60			*		°
<b>OUTPUT</b>								
VOLTAGE SWING <sup>4</sup>	T <sub>C</sub> = 25°C, I <sub>O</sub> = 150mA	±V <sub>S</sub> -15	±V <sub>S</sub> -8		*	*		V
VOLTAGE SWING <sup>4</sup>	T <sub>C</sub> = -25°C to +85°C, I <sub>O</sub> = ±75mA	±V <sub>S</sub> -10	±V <sub>S</sub> -5		*	*		V
VOLTAGE SWING <sup>4</sup>	T <sub>C</sub> = -25°C to +85°C, I <sub>O</sub> = ±20mA	±V <sub>S</sub> -5	±V <sub>S</sub> -3		*	*		V
CURRENT, peak	T <sub>C</sub> = 85°C	150			*			mA
SLEW RATE	T <sub>C</sub> = 25°C		30		20	*		V/μs
CAPACITIVE LOAD, A <sub>V</sub> = 1	T <sub>C</sub> = -25 to +85°C			10			*	nF
CAPACITIVE LOAD, A <sub>V</sub> > 4	T <sub>C</sub> = -25 to +85°C			SOA			*	
SETTLING TIME to .1%	T <sub>C</sub> = 25°C, R <sub>L</sub> = 1.2KΩ, 2V step		1			*		μs
<b>POWER SUPPLY</b>								
VOLTAGE	T <sub>C</sub> = -55 to +125°C	±15	±100	±150	*	*	*	V
CURRENT, quiescent	T <sub>C</sub> = 25°C		6	8.5		*	*	mA
<b>THERMAL</b>								
RESISTANCE, AC junction to case <sup>5</sup>	T <sub>C</sub> = -55 to +125°C, F > 60Hz		4.26			*		°C/W
RESISTANCE, DC junction to case	T <sub>C</sub> = -55 to +125°C, F < 60Hz		6.22	8.57		*	*	°C/W
RESISTANCE, junction to air	T <sub>C</sub> = -55 to +125°C		30			*		°C/W
TEMPERATURE RANGE, case	Meets full range specification	-25		85	*		*	°C

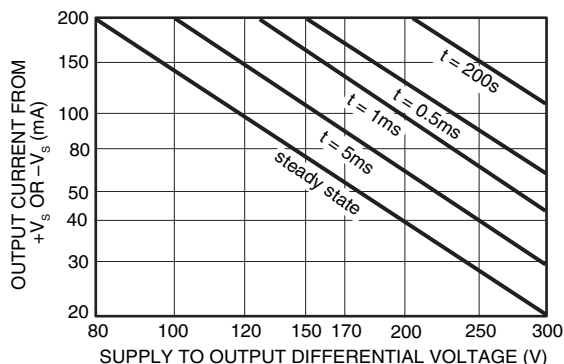
- NOTES: \* The specification of PA08A is identical to the specification for PA08 in applicable column to the left.
1. Long term operation at the maximum junction temperature will result in reduced product life. Derate power dissipation to achieve high MTTF.
  2. The power supply voltage specified under typical (TYP) applies unless otherwise noted.
  3. Doubles for every 10°C of temperature increase.
  4. +V<sub>S</sub> and -V<sub>S</sub> denote the positive and negative supply rail respectively.
  5. Rating applies only if output current alternates between both output transistors at a rate faster than 60Hz.

**CAUTION** The internal substrate contains beryllia (BeO). Do not break the seal. If accidentally broken, do not crush, machine, or subject to temperatures in excess of 850°C to avoid generating toxic fumes.



**GENERAL**

Please read Application Note 1 "General Operating Considerations" which covers stability, supplies, heat sinking, mounting, current limit, SOA interpretation, and specification interpretation. Visit [www.apexanalog.com](http://www.apexanalog.com) for design tools that help automate tasks such as calculations for stability, internal power dissipation, current limit and heat sink selection. The "Application Notes" and "Technical Seminar" sections contain a wealth of information on specific types of applications. Package outlines, heat sinks, mounting hardware and other accessories are located in the "Packages and Accessories" section. Evaluation Kits are available for most Apex Microtechnology product models, consult the "Evaluation Kit" section for details. For the most current version of all Apex Microtechnology product data sheets, visit [www.apexanalog.com](http://www.apexanalog.com).



**SAFE OPERATING AREA (SOA)**

The output stage of most power amplifiers has two distinct limitations:

1. The current handling capability of the transistor geometry and the wire bonds.
2. The second breakdown effect which occurs whenever the simultaneous collector current and collector-emitter voltage exceeds specified limits.

The SOA curves combine the effect of these limits. For a given application, the direction and magnitude of the output current should be calculated or measured and checked against the SOA curves. This is simple for resistive loads but more complex for reactive and EMF generating loads. However, the following guidelines may save extensive analytical efforts.

1. Under transient conditions, the following capacitive and inductive loads are safe with the current limits set to the maximum:

$\pm V_s$	C(MAX)	L(MAX)
150V	.4 $\mu$ F	280mH
125V	.9 $\mu$ F	380mH
100V	2 $\mu$ F	500mH
75V	10 $\mu$ F	1200mH
50V	100 $\mu$ F	13H

2. The amplifier can handle any EMF generating or reactive load and short circuits to the supply rails or simple shorts to common if the current limits are set as follows:

$\pm V_s$	SHORT TO $\pm V_{sc}$ , C, L, OR EMF LOAD	SHORT TO COMMON
150V	20mA	67mA
125V	27mA	90mA
100V	42mA	130mA
75V	67mA	200mA
50V	130mA	200mA

These simplified limits may be exceeded with further analysis using the operating conditions for a specific application.

3. The output stage is protected against transient flyback. However, for protection against sustained, high energy flyback, external fast-recovery diodes should be used.

**INDUCTIVE LOADS**

Two external diodes as shown in Figure 1, are required to protect these amplifiers from flyback (kickback) pulses exceeding the supply voltages of the amplifier when driving inductive loads. For component selection, these external diodes must be very quick, such as ultra fast recovery diodes with no more than 200 nanoseconds of reverse recovery time. The diode will turn on to divert the flyback energy into the supply rails thus protecting the output transistors from destruction due to reverse bias.

Fig. 1

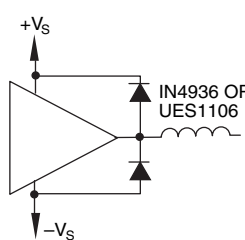
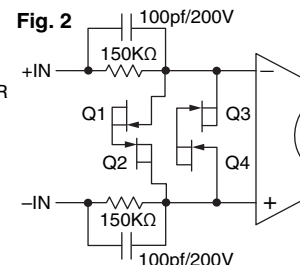


Fig. 2



**PROTECTION, INDUCTIVE LOAD**

**PROTECTION, OVERVOLTAGE**

A note of caution about the supply. The energy of the flyback pulse must be absorbed by the power supply. As a result, a transient will be superimposed on the supply voltage, the magnitude of the transient being a function of its transient impedance and current sinking capability. If the supply voltage plus transient exceeds the maximum supply rating or if the AC impedance of the supply is unknown, it is best to clamp the output and the supply with a zener diode to absorb the transient.

**INPUT PROTECTION**

The input is protected against common mode voltages up to the supply rails and differential voltages up to  $\pm 50V$ . Increased protection against differential input voltages can be obtained by adding 2 resistors, 2 capacitors and 4 diode connected FETs as shown in Figure 2.

**CURRENT LIMITING**

Proper operation requires the use of two current limit resistors, connected as shown in the external connection diagram. The minimum value for  $R_{CL}$  is 3.24 $\Omega$ . However, for optimum reliability it should be set as high as possible. Refer to the "General Operating Considerations" section of the handbook for current limit adjust details.

---

## **NEED TECHNICAL HELP? CONTACT APEX SUPPORT!**

For all Apex Microtechnology product questions and inquiries, call toll free 800-546-2739 in North America.

For inquiries via email, please contact [apex.support@apexanalog.com](mailto:apex.support@apexanalog.com).

International customers can also request support by contacting their local Apex Microtechnology Sales Representative.

To find the one nearest to you, go to [www.apexanalog.com](http://www.apexanalog.com)

---

### IMPORTANT NOTICE

Apex Microtechnology, Inc. has made every effort to insure the accuracy of the content contained in this document. However, the information is subject to change without notice and is provided "AS IS" without warranty of any kind (expressed or implied). Apex Microtechnology reserves the right to make changes without further notice to any specifications or products mentioned herein to improve reliability. This document is the property of Apex Microtechnology and by furnishing this information, Apex Microtechnology grants no license, expressed or implied under any patents, mask work rights, copyrights, trademarks, trade secrets or other intellectual property rights. Apex Microtechnology owns the copyrights associated with the information contained herein and gives consent for copies to be made of the information only for use within your organization with respect to Apex Microtechnology integrated circuits or other products of Apex Microtechnology. This consent does not extend to other copying such as copying for general distribution, advertising or promotional purposes, or for creating any work for resale.

APEX MICROTECHNOLOGY PRODUCTS ARE NOT DESIGNED, AUTHORIZED OR WARRANTED TO BE SUITABLE FOR USE IN PRODUCTS USED FOR LIFE SUPPORT, AUTOMOTIVE SAFETY, SECURITY DEVICES, OR OTHER CRITICAL APPLICATIONS. PRODUCTS IN SUCH APPLICATIONS ARE UNDERSTOOD TO BE FULLY AT THE CUSTOMER OR THE CUSTOMER'S RISK.

Apex Microtechnology, Apex and Apex Precision Power are trademarks of Apex Microtechnology, Inc. All other corporate names noted herein may be trademarks of their respective holders.