

# High Voltage Power Operational Amplifiers



## FEATURES

- HIGH VOLTAGE — 450V ( $\pm 225V$ )
- HIGH SLEW RATE —  $1000V/\mu S$
- HIGH OUTPUT CURRENT — 200mA

## APPLICATIONS

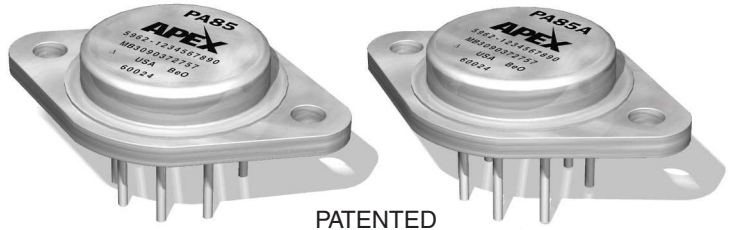
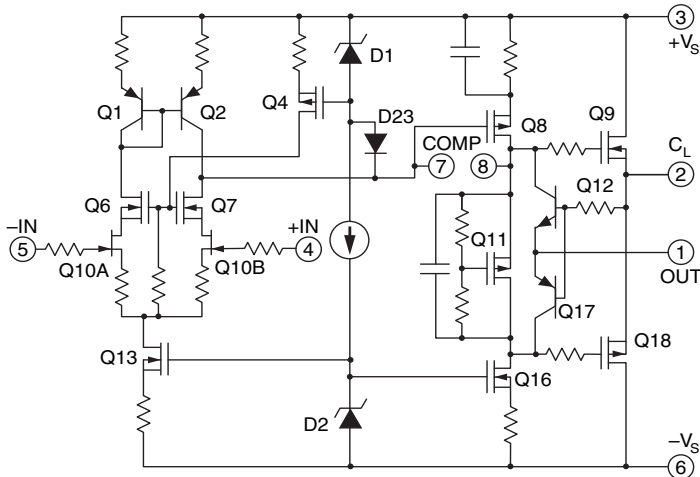
- HIGH VOLTAGE INSTRUMENTATION
- PIEZO TRANSDUCER EXCITATION
- PROGRAMMABLE POWER SUPPLIES UP TO 430V
- ELECTROSTATIC TRANSDUCERS & DEFLECTION

## DESCRIPTION

The PA85 is a high voltage, high power bandwidth MOSFET operational amplifier designed for output currents up to 200mA. Output voltages can swing up to  $\pm 215V$  with a dual supply and up to +440 volts with a single supply. The safe operating area (SOA) has no second breakdown limitations and can be observed with all types of loads by choosing an appropriate current limiting resistor. High accuracy is achieved with a cascode input circuit configuration. All internal biasing is referenced to a bootstrapped zener-MOSFET current source. As a result, the PA85 features an unprecedented supply range and excellent supply rejection. The MOSFET output stage is biased on for linear operation. External compensation provides user flexibility.

This hybrid circuit utilizes thick film (cermet) resistors, ceramic capacitors and silicon semiconductor chips to maximize reliability, minimize size and give top performance. Ultrasonically bonded aluminum wires provide reliable interconnections at all operating temperatures. The 8-pin TO-3 package is hermetically sealed and electrically isolated. The use of compressible isolation washers voids the warranty.

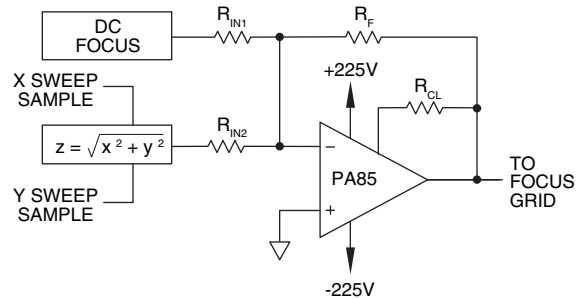
## EQUIVALENT SCHEMATIC



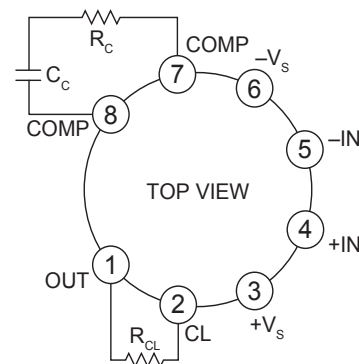
8-PIN TO-3  
PACKAGE STYLE CE

## TYPICAL APPLICATION

Dynamic focusing is the active correction of focusing voltage as a beam traverses the face of a CRT. This is necessary in high resolution flat face monitors since the distance between cathode and screen varies as the beam moves from the center of the screen to the edges. PA85 lends itself well to this function since it can be connected as a summing amplifier with inputs from the nominal focus potential and the dynamic correction. The nominal might be derived from a potentiometer, or perhaps automatic focusing circuitry might be used to generate this potential. The dynamic correction is generated from the sweep voltages by calculating the distance of the beam from the center of the display.



## EXTERNAL CONNECTIONS



### PHASE COMPENSATION

Gain	C <sub>C</sub>	R <sub>C</sub>
1	68pF	100Ω
20	10pF	330Ω
100	3.3pF	0Ω

C<sub>C</sub> RATED FOR FULL SUPPLY VOLTAGE

**ABSOLUTE MAXIMUM RATINGS**

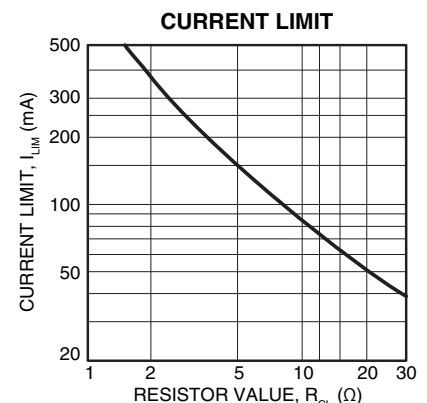
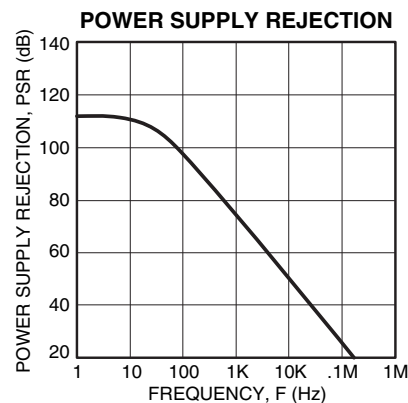
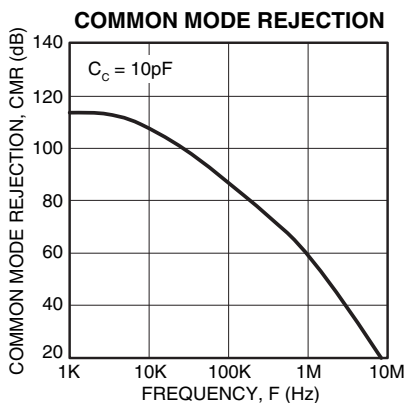
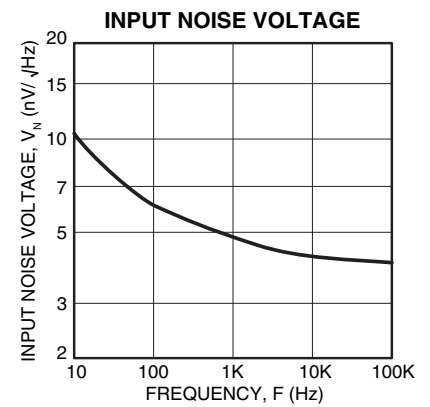
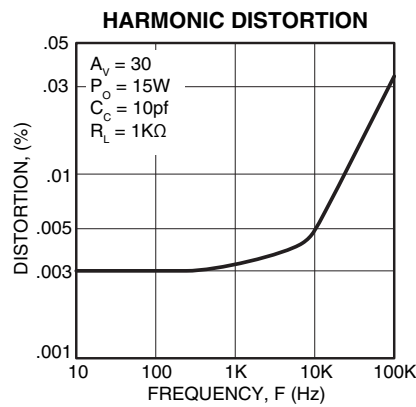
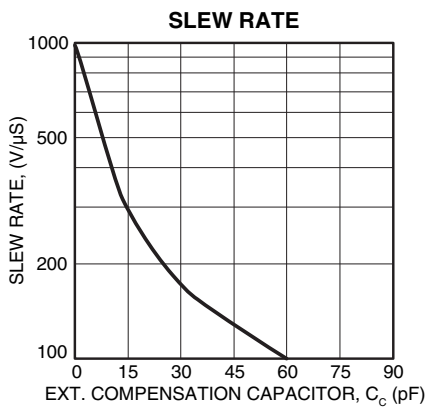
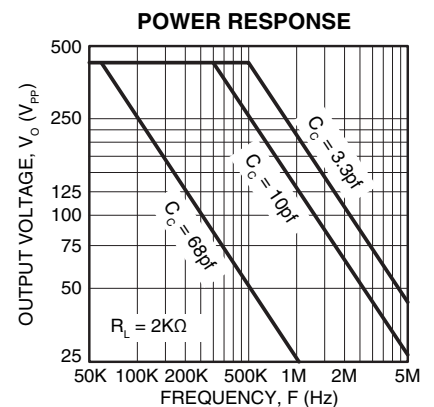
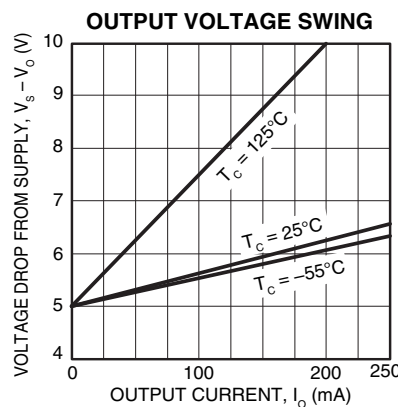
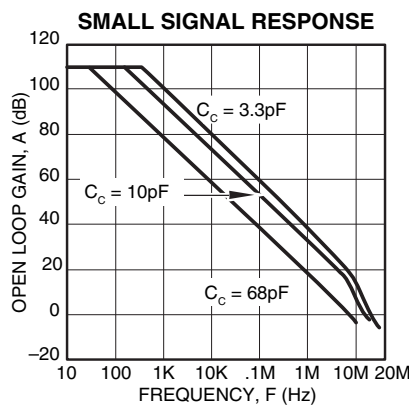
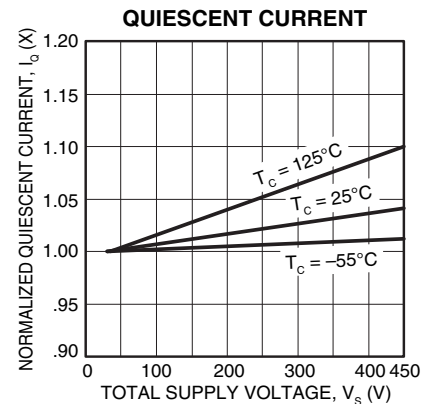
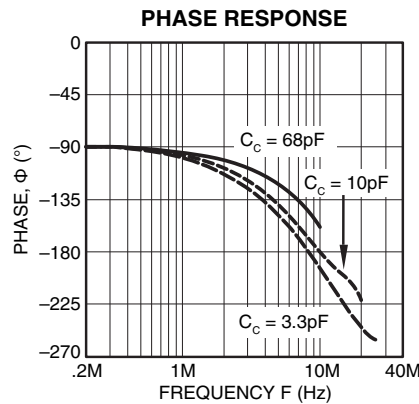
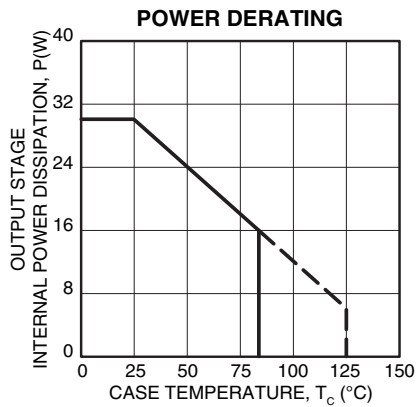
SUPPLY VOLTAGE, +V <sub>s</sub> to -V <sub>s</sub>	450V
OUTPUT CURRENT, continuous within SOA	200mA
POWER DISSIPATION, continuous @ T <sub>c</sub> = 25°C <sup>2</sup>	30W
INPUT VOLTAGE, differential	±25V
INPUT VOLTAGE, common mode	±V <sub>s</sub>
TEMPERATURE, pin solder - 10s max	350°C
TEMPERATURE, junction <sup>2</sup>	150°C
TEMPERATURE, storage	-65 to +150°C
OPERATING TEMPERATURE RANGE, case	-55 to +125°C

**SPECIFICATIONS**

PARAMETER	TEST CONDITIONS <sup>1</sup>	PA85			PA85A			UNITS
		MIN	TYP	MAX	MIN	TYP	MAX	
<b>INPUT</b>								
OFFSET VOLTAGE, initial			.5	2		.25	.5	mV
OFFSET VOLTAGE, vs. temperature	Full temperature range		10	30		5	10	μV/°C
OFFSET VOLTAGE, vs. supply			3	10		*	*	μV/V
OFFSET VOLTAGE, vs. time			75			*	*	μV/jkh
BIAS CURRENT, initial <sup>3</sup>			5	50		3	10	pA
BIAS CURRENT, vs. supply			.01			*	*	pA/V
OFFSET CURRENT, initial <sup>3</sup>			10	100		3	30	pA
INPUT IMPEDANCE, DC			10 <sup>11</sup>			*	*	Ω
INPUT CAPACITANCE			4			*	*	pF
COMMON MODE VOLTAGE RANGE <sup>4</sup>		±V <sub>s</sub> -15			*	*	*	V
COMMON MODE REJECTION, DC	V <sub>CM</sub> = ±90V	90	110		*	*	*	dB
NOISE	100kHz BW, R <sub>s</sub> = 1KΩ, C <sub>c</sub> = 10pf		1			*	*	μVrms
<b>GAIN</b>								
OPEN LOOP, @ 15Hz	R <sub>i</sub> = 2KΩ, C <sub>c</sub> = OPEN	96	111		*	*	*	dB
GAIN BANDWIDTH PRODUCT at 1MHz	R <sub>i</sub> = 2KΩ, C <sub>c</sub> = 3.3pf		100			*	*	MHz
POWER BANDWIDTH	C <sub>c</sub> = 10pf		300			*	*	kHz
	C <sub>c</sub> = 3.3pf		500			*	*	kHz
PHASE MARGIN	Full temperature range		60			*	*	°
<b>OUTPUT</b>								
VOLTAGE SWING <sup>4</sup>	I <sub>o</sub> = ±200mA	±Vs-10	±Vs-6.5		*	*	*	V
VOLTAGE SWING <sup>4</sup>	I <sub>o</sub> = ±75mA	±V-8.5	±Vs-6.0		*	*	*	V
VOLTAGE SWING <sup>4</sup>	I <sub>o</sub> = ±20mA	±V-8.0	±Vs-5.5		*	*	*	V
CURRENT, continuous	T <sub>c</sub> = 85°C	±200				*	*	mA
SLEW RATE, A <sub>v</sub> = 20	C <sub>c</sub> = 10pf		400			*	*	V/μs
SLEW RATE, A <sub>v</sub> = 100	C <sub>c</sub> = OPEN		1000		700	*	*	V/μs
CAPACITIVE LOAD, A <sub>v</sub> = +1	Full temperature range	470			*	*	*	pf
SETTLING TIME to .1%	C <sub>c</sub> = 10pf, 2V step		1			*	*	μs
RESISTANCE, no load	R <sub>CL</sub> = 0		50			*	*	Ω
<b>POWER SUPPLY</b>								
VOLTAGE <sup>5</sup>	Full temperature range	±15	±150	±225	*	*	*	V
CURRENT, quiescent			21	25		*	*	mA
<b>THERMAL</b>								
RESISTANCE, AC, junction to case <sup>5</sup>	Full temperature range, F > 60Hz			2.5		*	*	°C/W
RESISTANCE, DC, junction to case	Full temperature range, F < 60Hz			4.2		*	*	°C/W
RESISTANCE, junction to air	Full temperature range		30			*	*	°C/W
TEMPERATURE RANGE, case	Meets full range specifications	-25		+85	*	*	*	°C

- NOTES: \* The specification of PA85A is identical to the specification for PA85 in applicable column to the left.
1. Unless otherwise noted: T<sub>c</sub> = 25°C, compensation = C<sub>c</sub> = 68pF, R<sub>c</sub> = 100Ω. DC input specifications are ± value given. Power supply voltage is typical rating.
  2. Long term operation at the maximum junction temperature will result in reduced product life. Derate internal power dissipation to achieve high MTTF. Ratings apply only to output transistors. An additional 10W may be dissipated due to quiescent power.
  3. Doubles for every 10°C of temperature increase.
  4. +V<sub>s</sub> and -V<sub>s</sub> denote the positive and negative power supply rail respectively.
  5. Rating applies if the output current alternates between both output transistors at a rate faster than 60Hz.
  6. Derate max supply rating .625 V/°C below 25°C case. No derating needed above 25°C case.

**CAUTION** The PA85 is constructed from MOSFET transistors. ESD handling procedures must be observed. The internal substrate contains beryllia (BeO). Do not break the seal. If accidentally broken, do not crush, machine, or subject to temperatures in excess of 850°C to avoid generating toxic fumes.



**GENERAL**

Please read Application Note 1 "General Operating Considerations" which covers stability, supplies, heat sinking, mounting, current limit, SOA interpretation, and specification interpretation. Visit [www.apexanalog.com](http://www.apexanalog.com) for design tools that help automate tasks such as calculations for stability, internal power dissipation, current limit and heat sink selection. The "Application Notes" and "Technical Seminar" sections contain a wealth of information on specific types of applications. Package outlines, heat sinks, mounting hardware and other accessories are located in the "Packages and Accessories" section. Evaluation Kits are available for most Apex Microtechnology product models, consult the "Evaluation Kit" section for details. For the most current version of all Apex Microtechnology product data sheets, visit [www.apexanalog.com](http://www.apexanalog.com).

**CURRENT LIMIT**

For proper operation, the current limit resistor ( $R_{CL}$ ) must be connected as shown in the external connection diagram. The minimum value is 1.4 ohm, however for optimum reliability the resistor value should be set as high as possible. The value is calculated as follows; with the maximum practical value of 30 ohms.

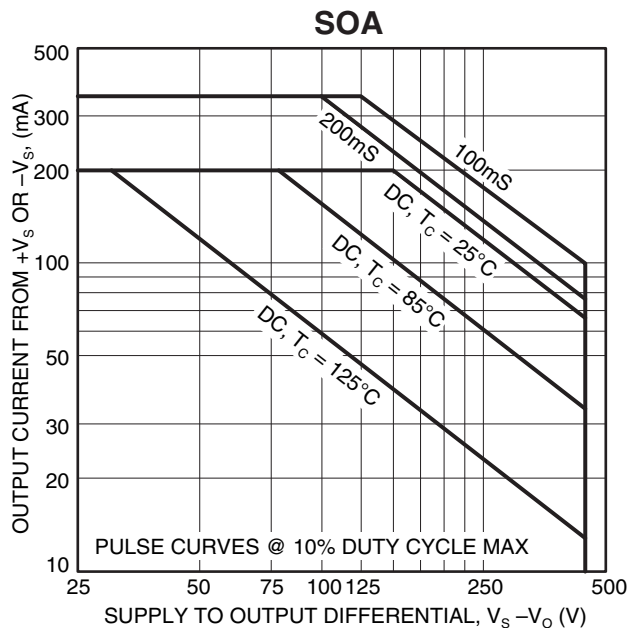
$$R_{CL} = \frac{.7}{I_{LIM} - .016}$$

**SAFE OPERATING AREA (SOA)**

The MOSFET output stage of this power operational amplifier has two distinct limitations:

1. The current handling capability of the MOSFET geometry and the wire bonds.
2. The junction temperature of the output MOSFETs.

NOTE: The output stage is protected against transient flyback. However, for protection against sustained, high energy flyback, external fast-recovery diodes should be used.



**SAFE OPERATING CURVES**

The safe operating area curves define the maximum additional internal power dissipation the amplifier can tolerate when it produces the necessary output to drive an external load. This is not the same as the absolute maximum internal power dissipation listed elsewhere in the specification since the quiescent power dissipation is significant compared to the total.

**INPUT PROTECTION**

Although the PA85 can withstand differential voltages up to  $\pm 25V$ , additional external protection is recommended. Since the PA85 is a high speed amplifier, low leakage, low capacitance JFETs connected as diodes are recommended (e.g. 2N4416, Q1-Q4 in Figure 2). The differential input voltage will be clamped to  $\pm 1.4V$ . This is sufficient overdrive to produce maximum power bandwidth.

**POWER SUPPLY PROTECTION**

Unidirectional zener diode transient suppressors are recommended as protection on the supply pins. The zeners clamp transients to voltages within the power supply rating and also clamp power supply reversals to ground. Whether the zeners are used or not, the system power supply should be evaluated for transient performance including power-on overshoot and power-off polarity reversals as well as line regulation.

Conditions which can cause open circuits or polarity reversals on either power supply rail should be avoided or protected against. Reversals or opens on the negative supply rail is known to induce input stage failure. Unidirectional transzorbs prevent this, and it is desirable that they be both electrically and physically as close to the amplifier as possible.

**STABILITY**

The PA85 is externally compensated and performance can be tailored to the application. Use the graphs of small signal response and power response as a guide. The compensation capacitor  $C_c$  must be rated at 500V working voltage. An NPO capacitor is recommended. The compensation network  $C_c R_c$  must be mounted closely to the amplifier pins 7 and 8 to avoid spurious oscillation.

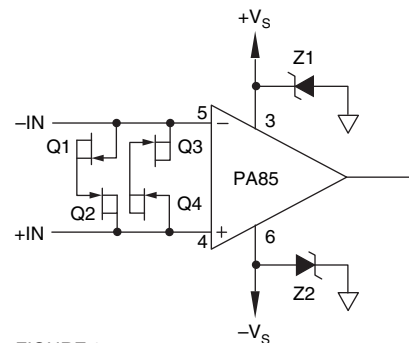


FIGURE 2. OVERVOLTAGE PROTECTION

---

## **NEED TECHNICAL HELP? CONTACT APEX SUPPORT!**

For all Apex Microtechnology product questions and inquiries, call toll free 800-546-2739 in North America.

For inquiries via email, please contact [apex.support@apexanalog.com](mailto:apex.support@apexanalog.com).

International customers can also request support by contacting their local Apex Microtechnology Sales Representative.

To find the one nearest to you, go to [www.apexanalog.com](http://www.apexanalog.com)

---

### IMPORTANT NOTICE

Apex Microtechnology, Inc. has made every effort to insure the accuracy of the content contained in this document. However, the information is subject to change without notice and is provided "AS IS" without warranty of any kind (expressed or implied). Apex Microtechnology reserves the right to make changes without further notice to any specifications or products mentioned herein to improve reliability. This document is the property of Apex Microtechnology and by furnishing this information, Apex Microtechnology grants no license, expressed or implied under any patents, mask work rights, copyrights, trademarks, trade secrets or other intellectual property rights. Apex Microtechnology owns the copyrights associated with the information contained herein and gives consent for copies to be made of the information only for use within your organization with respect to Apex Microtechnology integrated circuits or other products of Apex Microtechnology. This consent does not extend to other copying such as copying for general distribution, advertising or promotional purposes, or for creating any work for resale.

APEX MICROTECHNOLOGY PRODUCTS ARE NOT DESIGNED, AUTHORIZED OR WARRANTED TO BE SUITABLE FOR USE IN PRODUCTS USED FOR LIFE SUPPORT, AUTOMOTIVE SAFETY, SECURITY DEVICES, OR OTHER CRITICAL APPLICATIONS. PRODUCTS IN SUCH APPLICATIONS ARE UNDERSTOOD TO BE FULLY AT THE CUSTOMER OR THE CUSTOMER'S RISK.

Apex Microtechnology, Apex and Apex Precision Power are trademarks of Apex Microtechnology, Inc. All other corporate names noted herein may be trademarks of their respective holders.