

# PMT Panel Mount Power Supply

## 5V 300W 1 Phase / PMT-5V350W1A□□

# PMT

### Highlights & Features

- AC input range selectable by switch
- Full Aluminium casing for light weight and corrosion resistant handling
- Built-in automatic fan speed control circuit
- Wide operating temperature range from -20°C to +70°C and cold start at -40°C
- MTBF > 700,000 hrs. as per Telcordia SR-332
- Short Circuit / Overvoltage / Overload / Over Temperature Protections

### Safety Standards



CB Certified for worldwide use

**Model Number:** PMT-5V350W1A□□

**Unit Weight:** 0.81 kg

**Dimensions (L x W x D):** 215 x 115 x 50 mm



### General Description

The new PMT series of panel mount power supplies is the latest offering from one of the world's largest power supply manufacturers and solution providers - Delta. PMT-5V350W1A□□ offers a nominal output voltage of 5V with a wide operating temperature range from -20°C to +70°C and can withstand shock and vibration (in accordance to IEC 60068-2-27 and IEC 60068-2-6 respectively). In addition to features like overvoltage and overload protections, Delta's PMT series of panel mount power supplies is unlike many other brands in the same price level. The PMT series is designed for cost competitive markets without compromising the quality of the components and product specifications. The series of products has an expected life time of 10 years and will have no output power de-rating from 100Vac to 132Vac & 180Vac to 264Vac.

### Model Information

#### PMT Panel Mount Power Supply

Model Number	Input Voltage Range	Output Voltage	Output Current
PMT-5V350W1A□□	90-132Vac, 180-264Vac (Selectable by Switch)	5Vdc	60.0A

### Model Numbering

							CC Code
PM	T –	5V	350W	1	A	□	□
Panel Mount	Product Type T – Enclosed	Output Voltage	Output Power (350W series model)	Single Phase	No PFC Series	Connector Type M – Terminal Block G – Front Face	Blank – Without connector cover A – With connector cover

# PMT Panel Mount Power Supply

## 5V 300W 1 Phase / PMT-5V350W1A□□

### Specifications

#### Input Ratings / Characteristics

Nominal Input Voltage	100-120Vac, 200-240Vac (Selectable by Switch)
Input Voltage Range	90-132Vac, 180-264Vac (Selectable by Switch)
Nominal Input Frequency	50-60Hz
Input Frequency Range	47-63Hz
Input Current	< 7.00A @ 115Vac, < 4.00A @ 230Vac
Efficiency at 100% Load	> 76.0% @ 230Vac
Max Inrush Current	< 40A @ 115Vac, < 60A @ 230Vac
Leakage Current	< 3.5mA @ 240Vac

#### Output Ratings / Characteristics

Nominal Output Voltage	5Vdc
Output Voltage Tolerance	± 3% (initial set point tolerance from factory)
Output Voltage Adjustment Range	4.50-5.60Vdc
Output Current	60.0A
Output Power	300W
Line Regulation	± 0.5% typ.
Load Regulation	± 2.5% typ.
PARD (20MHz)	< 150mVpp
Rise Time	< 50ms @ nominal input (100% load)
Start-up Time	< 1000ms @ nominal input (100% load)
Hold-up Time	> 16ms @ 115Vac, > 20ms @ 230Vac
Dynamic Response (Overshoot & Undershoot O/P Voltage)	± 1000mVpp @ 10-50% load and 50-100% load
Start-up with Capacitive Loads	8,000µF Max

### Mechanical

Case Chassis	Aluminium
Case Cover	Aluminium
Dimensions (L x W x D)	215 x 115 x 50 mm
Unit Weight	0.81 kg
Indicator	Green LED (DC OK)
Cooling System	Forced Cooling
Terminal	PMT-5V350W1AM PMT-5V350W1AG
	M3.5 x 9 Pins (Rated 300V/15A) M3.5 x 9 Pins (Rated 300V/20A)
Wire	AWG 14-12

# PMT Panel Mount Power Supply

## 5V 300W 1 Phase / PMT-5V350W1A□□

### Environment

Surrounding Air Temperature	Operating	-20°C to +70°C
	Storage	-40°C to +85°C
Power De-rating		> 50°C de-rate power by 4% / °C , > 60°C de-rate power by 1% / °C < 100Vac de-rate power by 3% / V, < 200Vac de-rate power by 1.5% / V
Operating Humidity		< 95% RH (Non-Condensing)
Operating Altitude		5,000 Meters
Shock Test (Non-Operating)		IEC60068-2-27, Half Sine: 50G for a duration of 11ms, 3 times per direction, 18 times in total
Vibration	Operating	IEC60068-2-6, Sine Wave: 10Hz to 150Hz @ 25m/S <sup>2</sup> (2.5G peak); 90 min per axis for all X, Y, Z direction
	Non-Operating	IEC60068-2-6, Random: 5Hz to 500Hz @ 2.09Grms peak; 20 min per axis for all X, Y, Z direction
Pollution Degree		2

### Protections

Overvoltage	< 5.75~7.50V, SELV Output, Latch Mode
Overload / Overcurrent	> 105~135% of rated load current, Hicc-up Mode, Non-Latching (Auto-Recovery)
Over Temperature	Hicc-up Mode, Non-Latching (Auto-Recovery when the fault is removed)
Short Circuit	Hicc-up Mode, Non-Latching (Auto-Recovery when the fault is removed)
Protection Against Shock	Class I with PE* connection

\*PE: Primary Earth

### Reliability Data

MTBF	> 700,000 hrs. as per Telcordia SR-332 I/P: 100Vac, O/P: 100% load, Ta: 35°C
Expected Cap Life Time	Expected Cap Life Time

### Safety Standards / Directives

Electrical Safety	UL/cUL recognized to UL60950-1 and CSA C22.2 No. 60950-1, CB scheme to IEC60950-1	
Material and Parts	RoHS Directive 2011/65/EU Compliant	
Galvanic Isolation	Input to Output	3.0KVac
	Input to Ground	1.5KVac
	Output to Ground	0.5KVac

# PMT Panel Mount Power Supply

## 5V 300W 1 Phase / PMT-5V350W1A□□

## EMC

EMC / Emissions*		CISPR22, EN55022, FCC Title 47: Class A (With Delta EMI filter P/N: 10DKAW5)
Immunity to*		EN 55024
Electrostatic Discharge	IEC61000-4-2	Level 4 Criteria A <sup>1)</sup> Air Discharge: 15kV Contact Discharge: 8kV
Radiated Field	IEC61000-4-3	Level 3 Criteria A <sup>1)</sup> 80MHz-1GHz, 10V/M with 1kHz tone / 80% modulation
Electrical Fast Transient / Burst	IEC61000-4-4	Level 3 Criteria A <sup>1)</sup> 2kV
Surge	IEC61000-4-5	Level 3 Criteria A <sup>1)</sup> Common Mode <sup>2)</sup> : 2kV Differential Mode <sup>3)</sup> : 1kV
Conducted	IEC61000-4-6	Level 3 Criteria A <sup>1)</sup> 150kHz-80MHz, 10Vrms
Power Frequency Magnetic Fields	IEC61000-4-8	Criteria A <sup>1)</sup> 10A/Meter
Voltage Dips	IEC61000-4-11	100% dip; 1 cycle (20ms); Self Recoverable
Low Energy Pulse Test (Ring Wave)	IEC61000-4-12	Level 3 Criteria A <sup>1)</sup> Common Mode <sup>2)</sup> : 2kV Differential Mode <sup>3)</sup> : 1kV
Harmonic Current Emission		NA
Voltage Fluctuation and Flicker*		IEC/EN 61000-3-3

\*Fulfills tested conditions

1) Criteria A: Normal performance within the specification limits

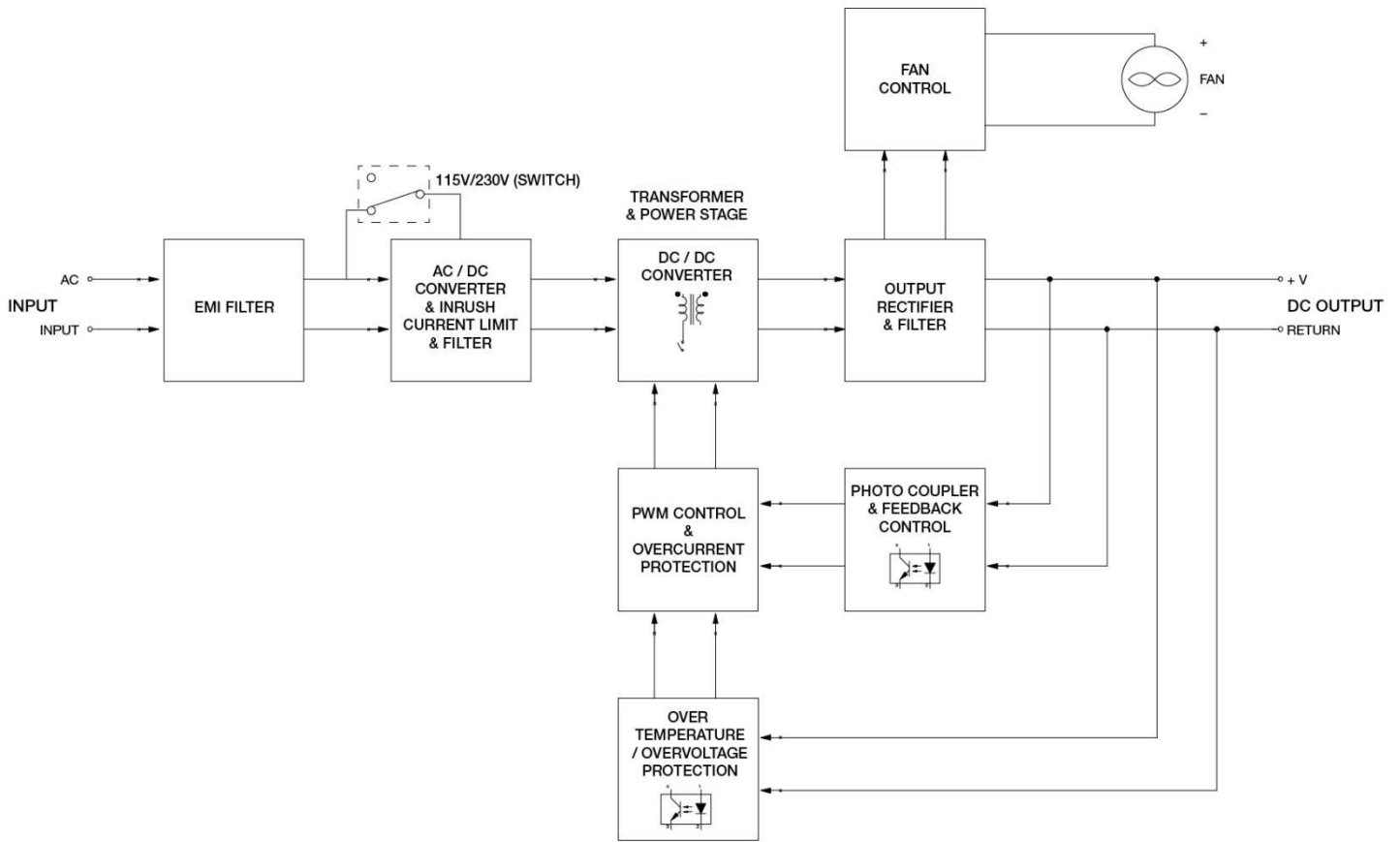
2) Asymmetrical: Common mode (Line to earth)

3) Symmetrical: Differential mode (Line to line)

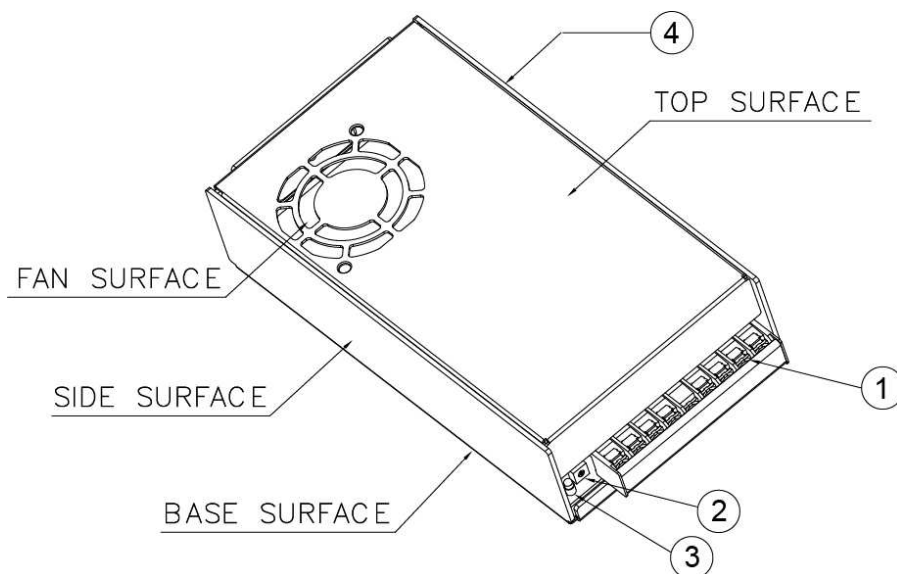
# PMT Panel Mount Power Supply

## 5V 300W 1 Phase / PMT-5V350W1A

### Block Diagram



### Device Description



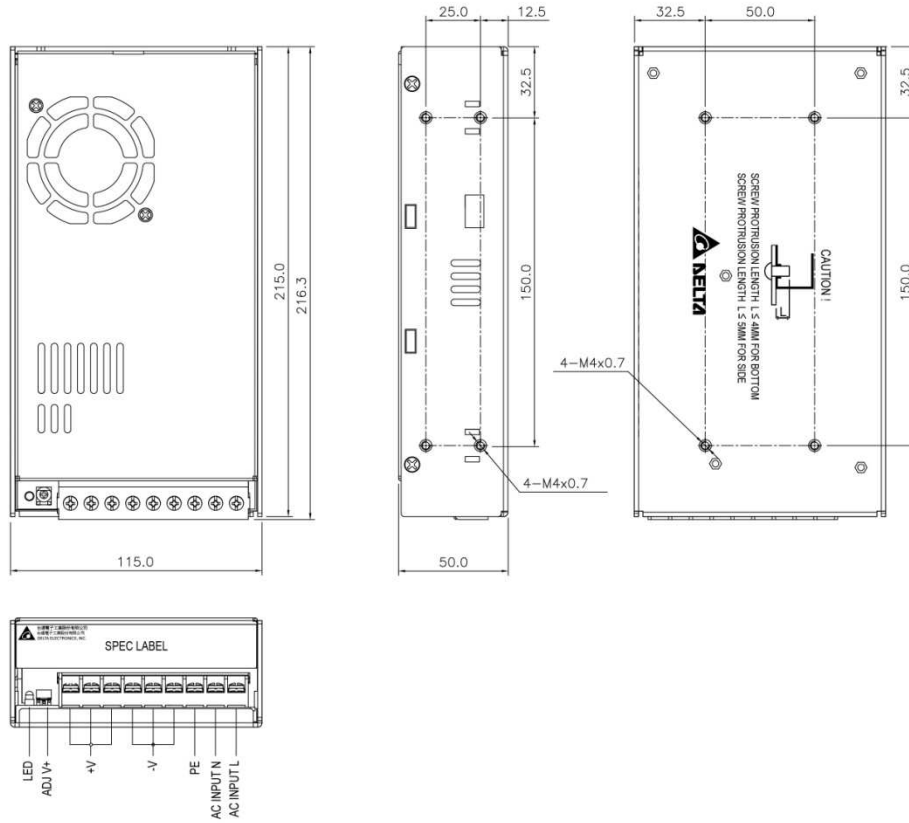
- 1) Input & Output terminal block connector
- 2) DC voltage adjustment potentiometer
- 3) DC OK control LED (Green)
- 4) AC selectable switch

# PMT Panel Mount Power Supply

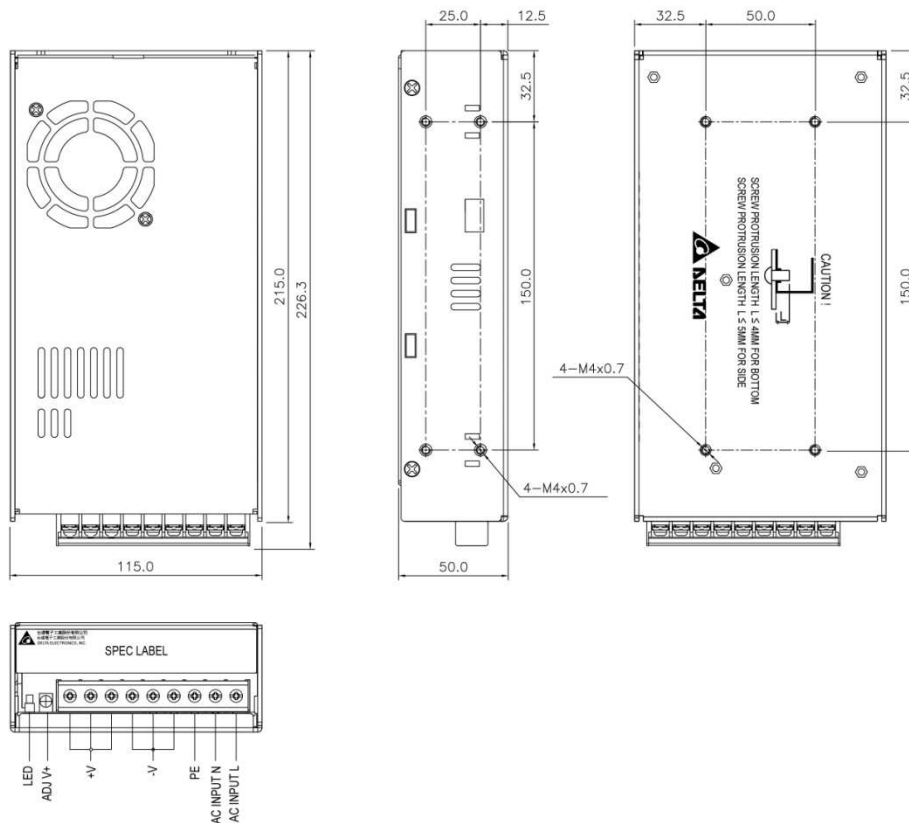
## 5V 300W 1 Phase / PMT-5V350W1A□□

### Dimensions

L x W x D: 215 x 115 x 50 mm (PMT-5V350W1AM: Terminal Block)



L x W x D: 215 x 115 x 50 mm (PMT-5V350W1AG: Front Face)

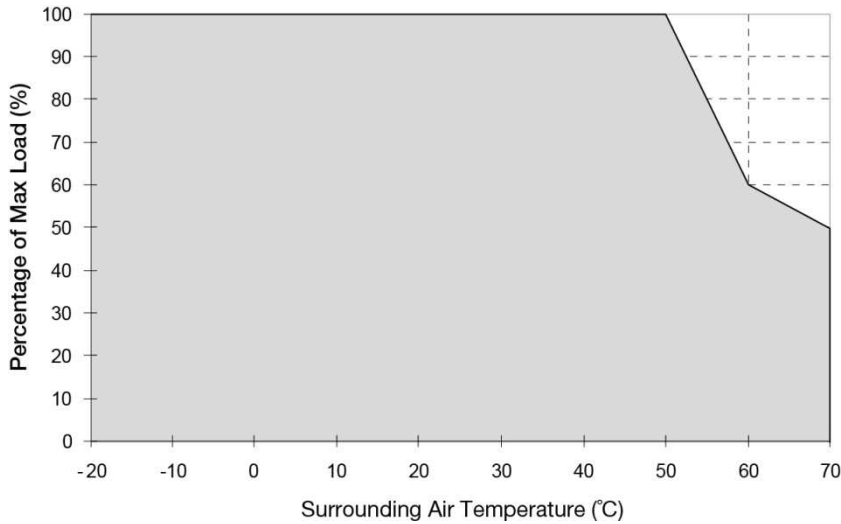


# PMT Panel Mount Power Supply

## 5V 300W 1 Phase / PMT-5V350W1A □□

### Engineering Data

#### De-rating



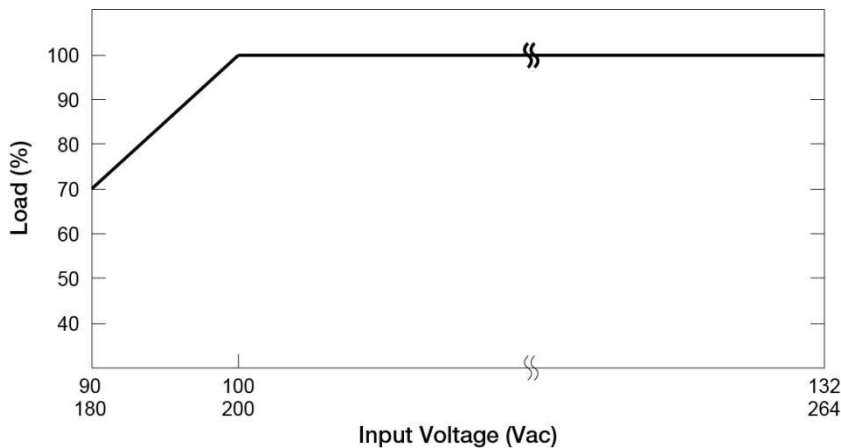
**Fig. 1 De-rating for Vertical and Horizontal Mounting Orientation**

> 50°C de-rate power by 4% / °C  
 > 60°C de-rate power by 1% / °C

#### Note

1. Power supply components may degrade, or be damaged, when the power supply is continuously used outside the shaded region, refer to the graph shown in Fig. 1.
2. If the output capacity is not reduced when the surrounding air temperature >70°C, the device will run into Over Temperature Protection. When activated, the output voltage will go into bouncing mode and will recover when the surrounding air temperature is lowered or the load is reduced as far as necessary to keep the device in working condition.
3. To ensure sufficient convection cooling, always maintain a distance of ≥ 20mm from fan ventilated surfaces while the device is in operation.
4. Depending on the surrounding air temperature and output load delivered by the power supply, the device housing can be very hot!
5. If the device has to be mounted in any other orientation, please do not hesitate to contact [info@deltapsu.com](mailto:info@deltapsu.com) for more details.

#### Output De-rating VS. Input Voltage



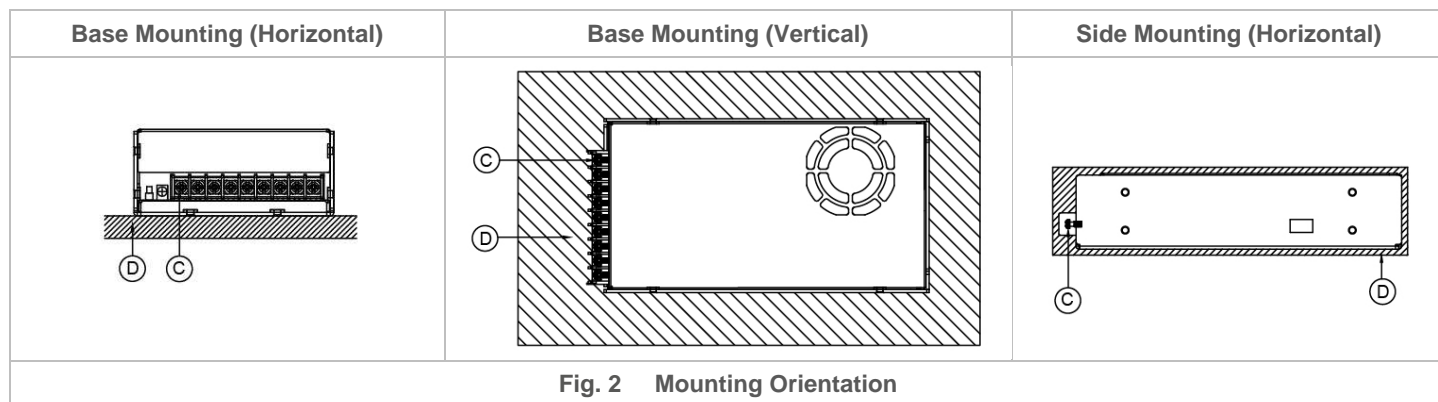
- No output power de-rating for the input voltage from 100Vac to 132Vac & 200Vac to 264Vac

# PMT Panel Mount Power Supply

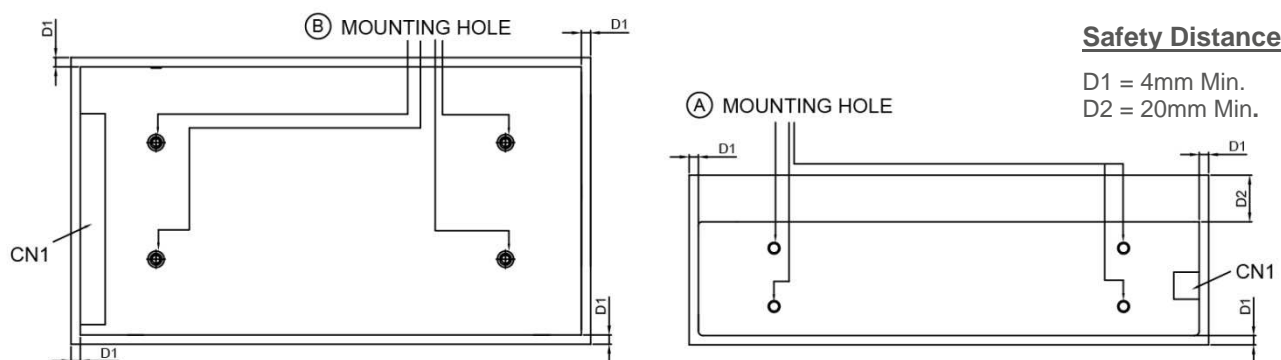
## 5V 300W 1 Phase / PMT-5V350W1A□□

### Assembly & Installation

- Ⓐ Side Mounting: Fig. 2 and Fig. 3 show the mounting hole locations for power supply assembly onto a metal mounting surface. The power supply shall be mounted on minimum of 4 mounting holes using M4 screw maximum 5mm length (Refer to Fig. 4 on the next page). This is to maintain a safety distance between the screw and internal components.
- Ⓑ Base Mounting: Fig. 2 and Fig. 3 show the mounting hole locations for power supply assembly onto a metal mounting surface. The power supply shall be mounted on minimum of 4 mounting holes using M4 screw maximum 4mm length (Refer to Fig. 4 on the next page).
- Ⓒ Connector
- Ⓓ This surface belongs to customer's end system or panel where the power supply is mounted.

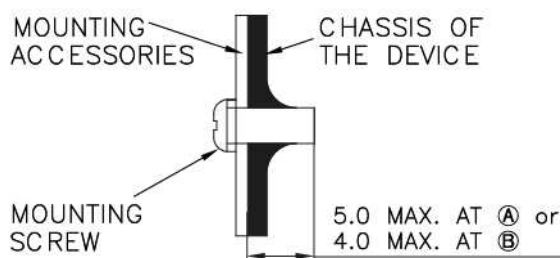


- Use flexible cable (stranded or solid) of AWG No. 14-12. The input/output connectors' allowable current is 23A max per pin. User should calculate and select the suitable wire specification (type/quantity/diameter) according to actual output current. The torque at the connector shall not exceed 13Kgf.cm. The insulation stripping length should not exceed 0.275" or 7mm.
- Recommended mounting torque of the product and its mounting accessories is 9~12Kgf.cm.



**Fig. 3 Mounting Hole Locations and the Safety Distance**

For safety reasons, please ensure the mounted device is kept at  $\geq 4\text{mm}$  safety distance at all sides from other components and equipments. In addition, to ensure sufficient convection cooling, always maintain a distance of  $\geq 20\text{mm}$  from fan ventilated surfaces while the device is in operation. Please insert an insulation sheet between the system and product, if the safety distance is  $< 4\text{mm}$ .



- Only use M4 screw  $\leq 5\text{mm}$  through the base mounting holes at Ⓐ. This is to keep a safe distance between the screw and internal components.
- Only use M4 screw  $\leq 4\text{mm}$  through the base mounting holes at Ⓑ.

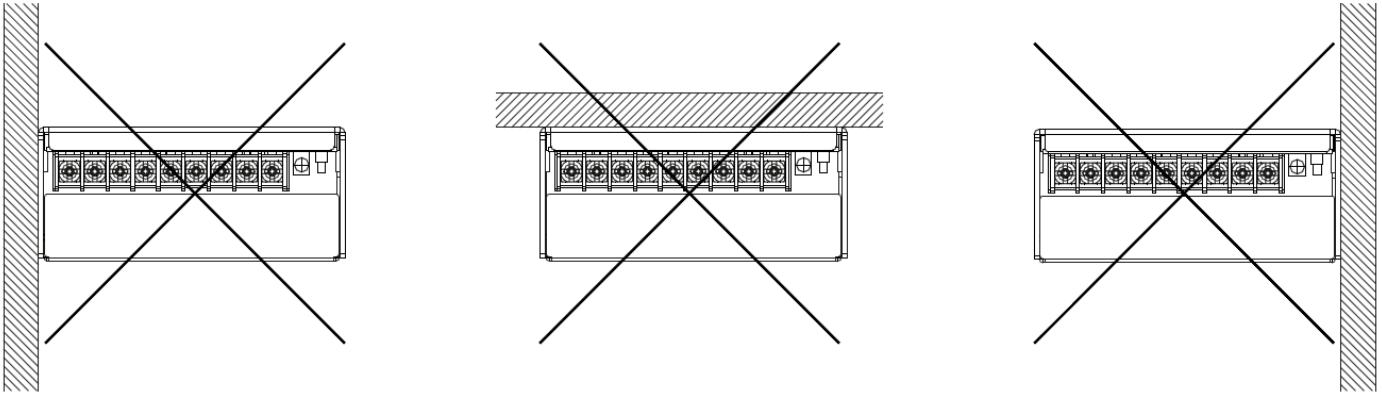
**Fig. 4 Assembly Reference**



# PMT Panel Mount Power Supply

## 5V 300W 1 Phase / PMT-5V350W1A□□

### Improper Installations



### Safety Instructions

- Must select correct AC input voltage before turning on (Refer to the “Device Description” on Page 5).
- The device is not recommended to be placed on low thermal conductive surface. For example, plastics.
- Note that the enclosure of the device can become very hot depending on the ambient temperature and load of the power supply. Do not touch the device while it is in operation or immediately after power is turned OFF. Risk of burning!
- Do not touch the terminals while power is being supplied. Risk of electric shock.
- Prevent any foreign metal, particles or conductors from entering the device through the openings during installation. It may cause: - Electric shock; Safety Hazard; Fire; Product failure.
- Warning: When connecting the device, secure Earth connection before connecting L and N. When disconnecting the device, remove L and N connections before removing the Earth connection. The power supply must be mounted by metal screws onto a grounded metal surface. It is highly recommended that the Earth terminal on the connector be connected to the grounded metal surface.

# PMT Panel Mount Power Supply

## 5V 300W 1 Phase / PMT-5V350W1A □ □

### Functions

#### Start-up Time

The time required for the output voltage to reach 90% of its set value, after the input voltage is applied.

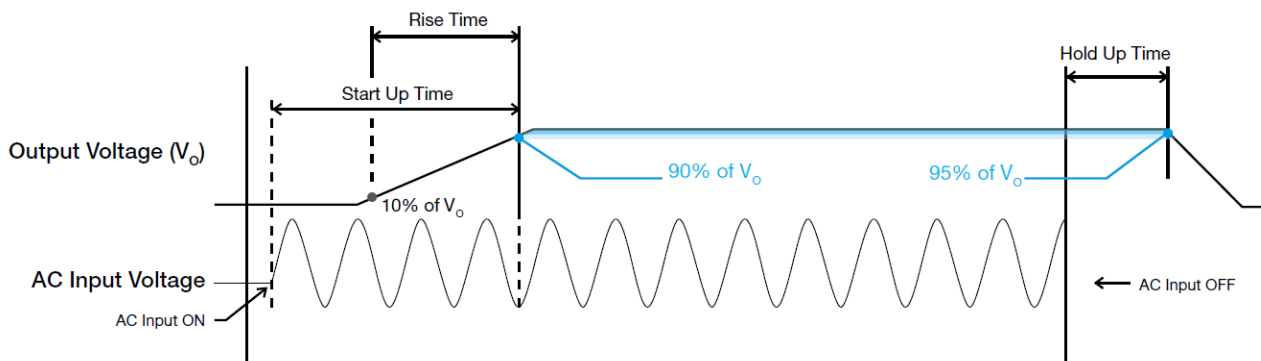
#### Rise Time

The time required for the output voltage to change from 10% to 90% of its set value.

#### Hold-up Time

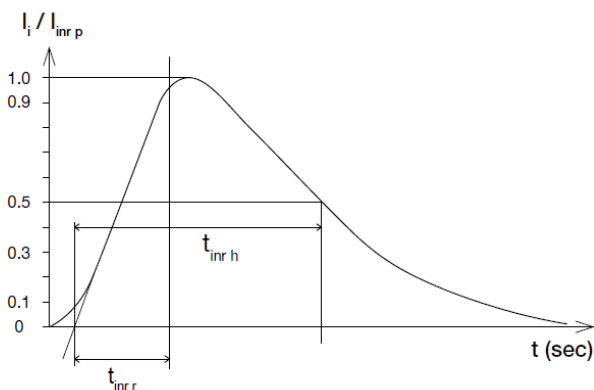
Hold up time is the time when the AC input collapses and output voltage retains regulation for a certain period of time. The time required for the output to reach 95% of its set value, after the input voltage is removed.

#### ■ Graph illustrating the Start-up Time, Rise Time, and Hold-up Time



#### Inrush Current

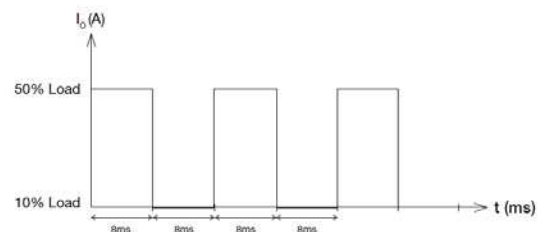
Inrush current is the peak, instantaneous, input current measured and, occurs when the input voltage is first applied. For AC input voltages, the maximum peak value of inrush current will occur during the first half cycle of the applied AC voltage. This peak value decreases exponentially during subsequent cycles of AC voltage.



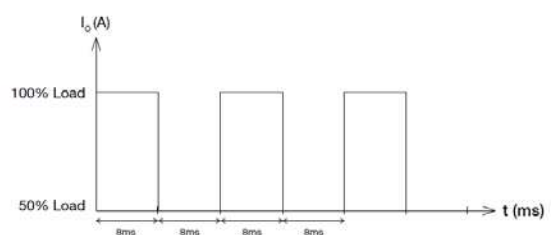
#### Dynamic Response

The power supply output voltage will remain within  $\pm 1000\text{mVpp}$  of its steady state value, when subjected to a dynamic load from 10 to 50% and 50 to 100% of its rated current.

#### ■ 10 to 50% Load



#### ■ 50 to 100% Load

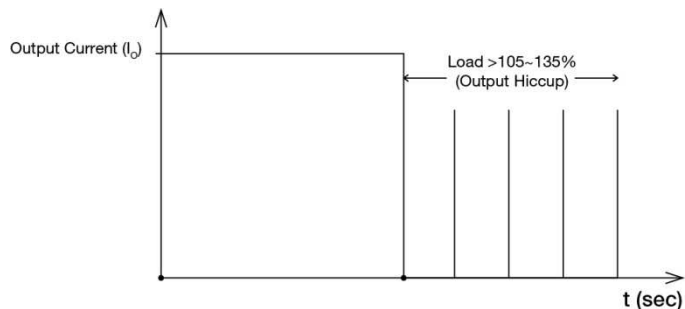


# PMT Panel Mount Power Supply

## 5V 300W 1 Phase / PMT-5V350W1A □ □

### Overload & Overcurrent Protections

The power supply's Overload (OLP) and Overcurrent (OCP) Protections will be activated when output current exceeds 105~135% of rated load current. In such occurrence, the  $V_O$  will start to droop and once the power supply has reached its maximum power limit, the protection is activated and the power supply will go into "Hiccup mode" (Auto-Recovery). The power supply will recover once the fault condition of the OLP and OCP is removed and  $I_O$  is back within the specifications.



It is not recommended to prolong the duration of  $I_O$  when it is <105~135% but >100%, since it may cause damage to the PSU.

### Short Circuit Protection

The power supply's output OLP/OCP function also provides protection against short circuits. When a short circuit is applied, the output current will operate in "Hiccup mode", as shown in the illustration in the OLP/OCP section on this page. The power supply will return to normal operation after the short circuit is removed.

### Others

#### Delta RoHS Compliant



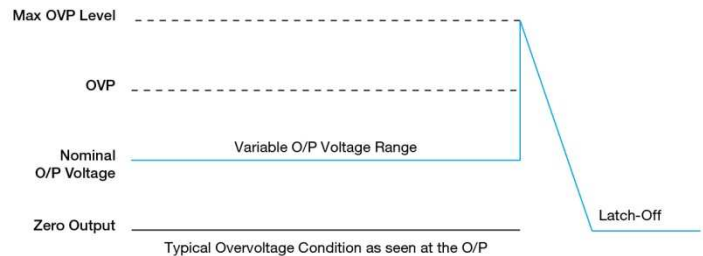
#### Restriction of the usage of hazardous substances

The European directive 2011/65/EU limits the maximum impurity level of homogeneous materials such as lead, mercury, cadmium, chrome, polybrominated flame retardants PBB and PBDE for the use in electrical and electronic equipment. RoHS is the abbreviation for "Restriction of the use of certain hazardous substances in electrical and electronic equipment".

This product conforms to this standard.

### Overvoltage Protection

The power supply's overvoltage circuit will be activated when its internal feedback circuit fails. The output voltage shall not exceed its specifications defined on Page 3 under "Protections".



### Over Temperature Protection

As mentioned above, the power supply also has Over Temperature Protection (OTP). In the event of a higher operating temperature at 100% load, the power supply will run into OTP when the operating temperature is beyond what is recommended in the de-rating graph. When activated, the output voltage will go into bouncing mode until the temperature drops to its normal operating temperature as recommended in the de-rating graph.