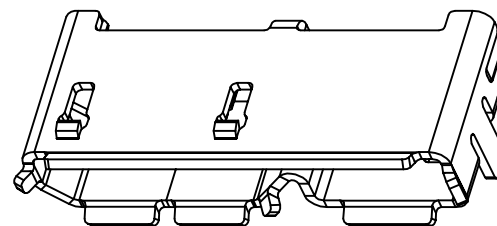
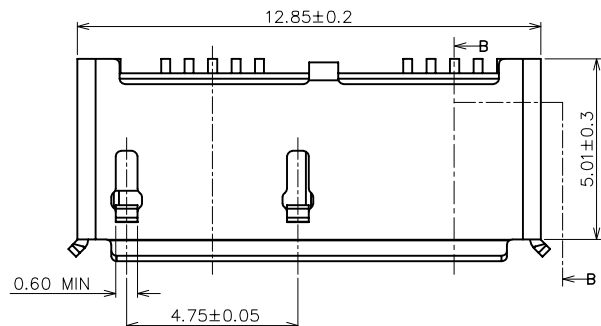


REVISION RECORD		
REV	DESCRIPTION	DRFT



**NOTES:**

**MECHANICAL CHARACTERISTICS:**

- 1.MATING FORCE: 3.57 Kg Max.
- 2.UNMATING: 1.0~1.6 Kg.
- 3.LIFE TEST: 10000 CYCLES

**ELECTRICAL CHARACTERISTICS:**

- 1.CURRENT RATING: 1.5A
- 2.CONTACT RESISTANCE: 30mΩMAX.
- 3.DIELECTRICAL WITHSTANDING: 100V AC/1min.
- 4.INSULATION RESISTANCE: 100MΩmin.

**MATERIAL:**

- 1.PLASTIC: LCP WITH 30% GF,UL 94V-0 ,Black.
- 2.TERMINAL:PHOSPHOR BRONZE, 0.2 THICKNESS.
- 3.TERMINAL PLATING:

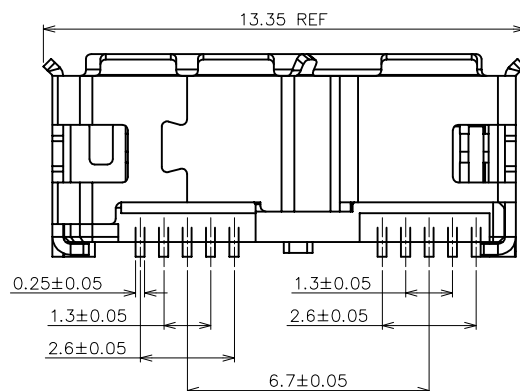
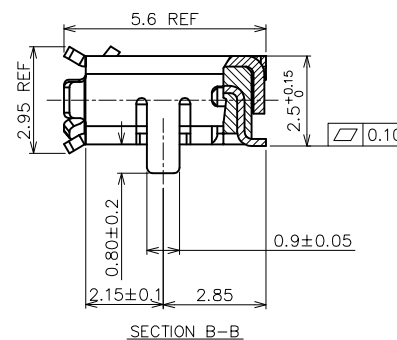
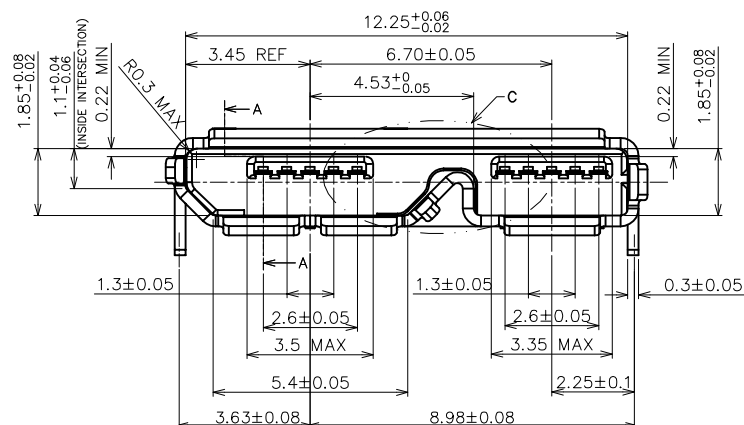
- UNDERPLATING ALL OVER NICKEL 50u"MIN.
  - CONTACT PLATING GOLD PLATING 15u"MIN
  - OTHER AREA GOLD PLATING 1u"MIN,
- 4.SHIELD: STEEL0.3 THICKNESS.

**5.SHIELD PLATING:**

- UNDERPLATING ALL OVER CU 20u"MIN
- PLATING ALL OVER NICKEL 50u"MIN.

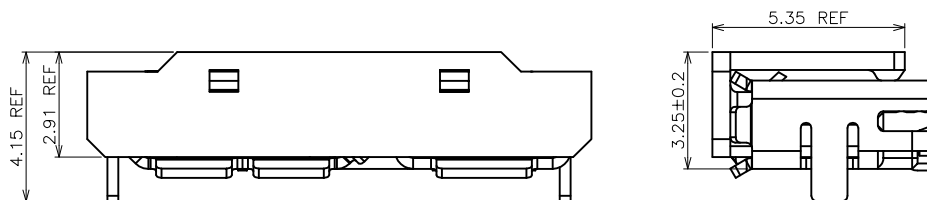
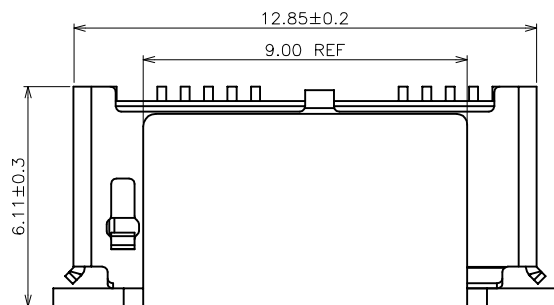
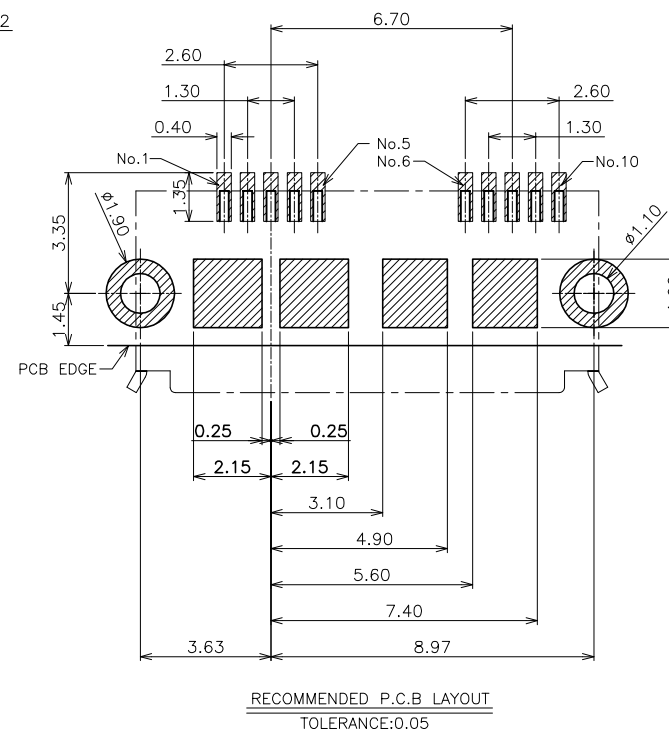
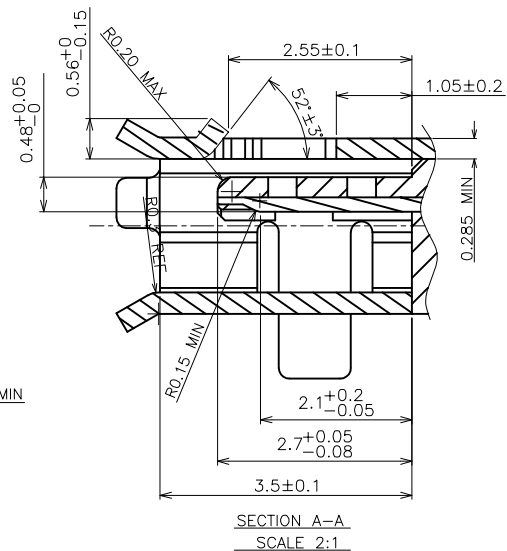
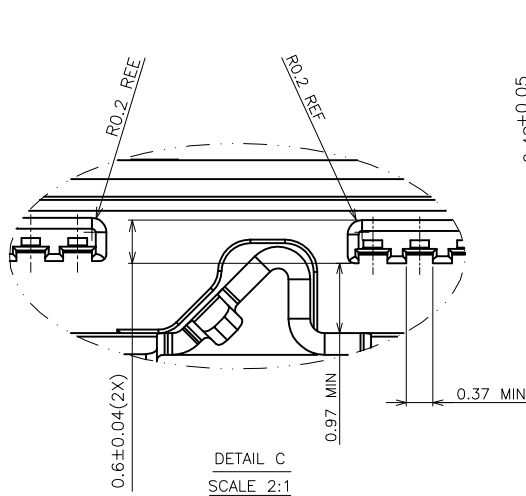
**OTHERS:**

- 1.OPERATION TEMPERATURE:-20°c to +80°c



DETACHED LISTS	MM (INCH)	DFTD Roy	DATE 11/20/2012		RoHS Compliant	
	TOLERANCES EXCEPT AS NOTED	CHKD	DATE			
	MM	APPVL	DATE	TITLE USB 3.0 MICRO BF SMD TYPE		
	. ± 0.35 .0 ± 0.25 .00 ± 0.15 .000 ± 0.05	MATERIAL :	QT'Y :	DRAWING NO. E8110-030-01	SIZE A3	REV 01
ANGLES: X.*±1* X.X*±0.5*	FINISH :	SCALE : 1:1	DO NOT SCALE DRAWING SHEET 1 OF 2			
THIRD ANGLE PROJECTION						

REVISION RECORD		
REV	DESCRIPTION	DRFT



USB 3.0 Micro BF SMD TYPE+CAP

DETACHED LISTS	MM (INCH)	DFTD Roy	DATE 11/20/2012	<b>Pulse Electronics</b>	<b>RoHS Compliant</b>	
	TOLERANCES EXCEPT AS NOTED	CHKD	DATE			
	MM .0 ± 0.35 .0 ± 0.25 .00 ± 0.15 .000 ± 0.05	±	APPVL	DATE	TITLE USB 3.0 MICRO BF SMD TYPE	
	ANGLES: X.*±1° X.X.*±0.5°	±	MATERIAL :	QTY :		
	THIRD ANGLE PROJECTION	FINISH :	SCALE : 1:1	DRAWING NO. E8110-030-01	SIZE A3	REV 01
				/PART NO. E8110-030-01	DO NOT SCALE DRAWING	SHEET 2 OF 2