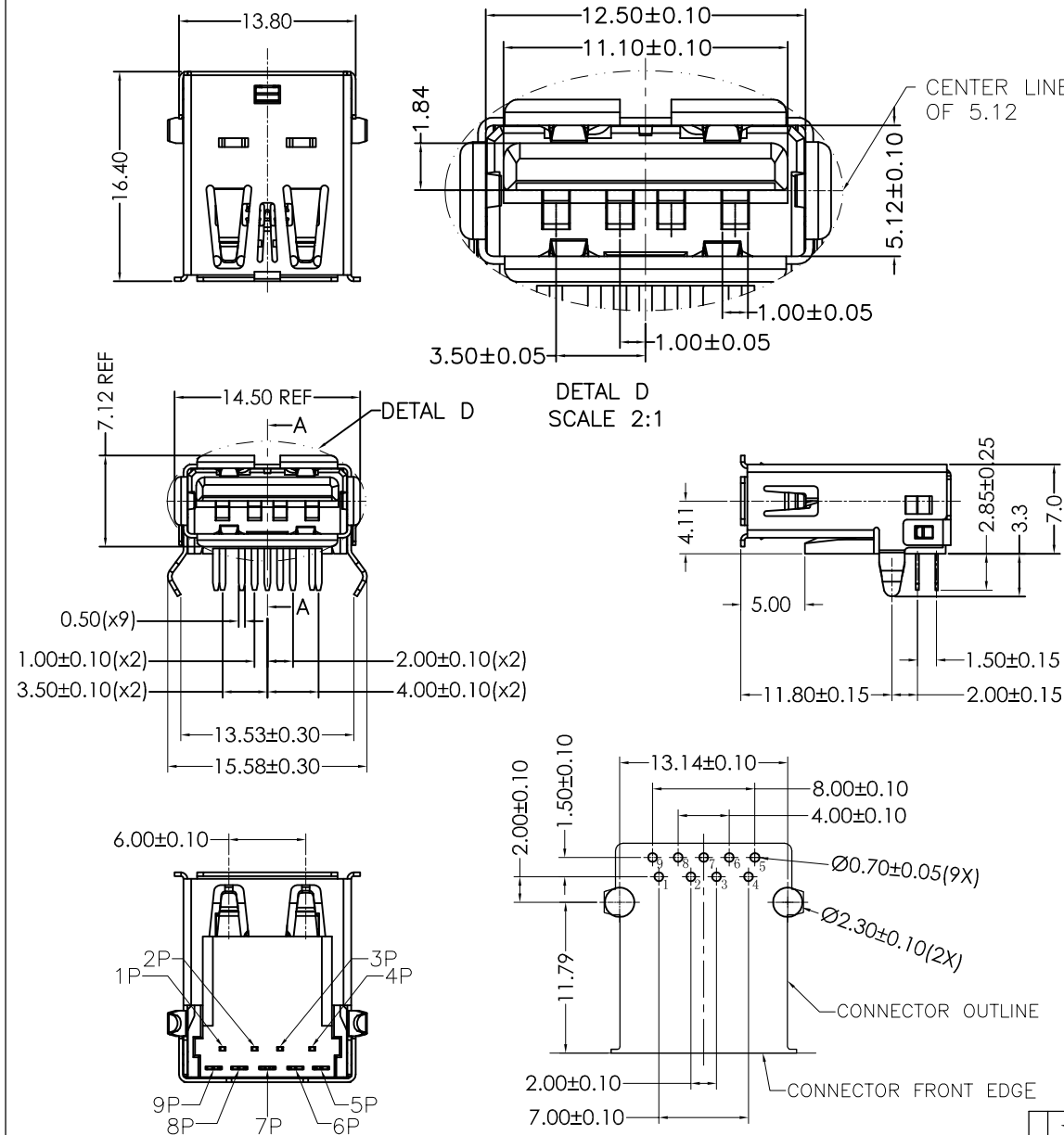


REVISION RECORD		
REV	DESCRIPTION	DRFT



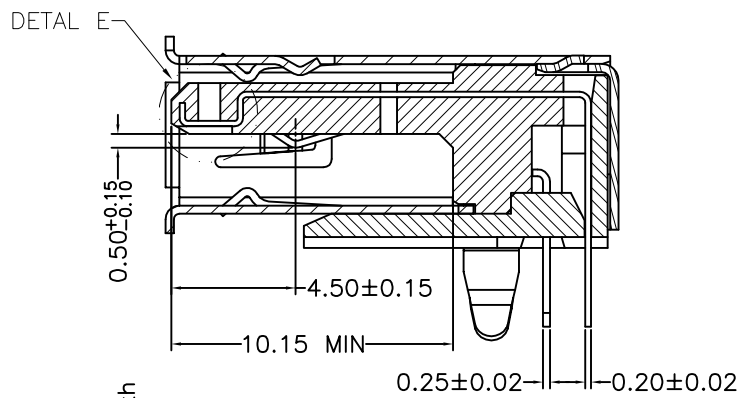
NOTES:

- MATERIAL:**
 HOUSING&COVER:PA9T UL 94V-0 COLOR:BLUE300C;
 FRONTSHIELD: PHOSPHOR BRONZE,
 PLATING NICKEL 50u"MIN OVER ALL.
 REAR SHIELD: STEEL,PLATING NICKEL80u"MIN OVERALL.
 4PIN CONTACT:PHOSPHOR BROZNE;
 5PINCONTACT:BRASS
 PLATING GOLD 2u"MIN ON CONTACT AREA,
 PLATING MATTE TIN 80u"MIN ON SOLDER AREA
 NICKEL 50u"MIN UNDERPLATING OVER ALL
- CHARACTERISTICS:**
 CONTACT RESISTANCE:30mΩMAX.FOR Pin1&Pin4
 50mΩMAX.FOR OTHER CONTACTS
 INSULATION RESISTANCE:100M Ω Min.
 DIELECTRICAL WITHSTANDING VOLTAGE:100 VAC .
 MATING FORCE:3.57Kgf MAX(35N Max)
 UNMATING FORCE:1.02Kgf Min(10N Min)
 DURABILITY:1500 Cycles.
 OTHERS:
 OPERATION TEMPERATURE:-20°c to +80°c

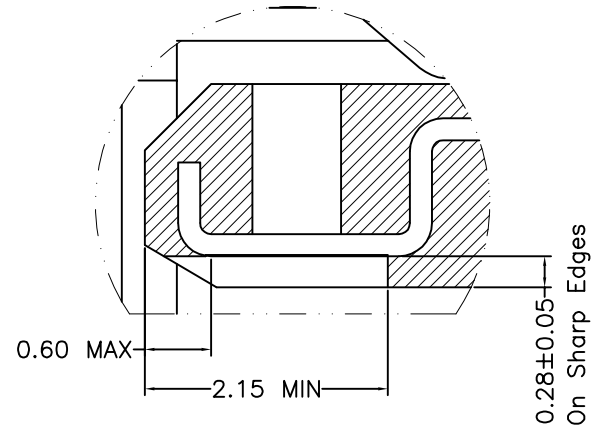
RECOMMENED PCB LAYOUT
 TOP VIEW (TOLERANCE:1.6mm±0.05)

DELETED LISTS TOLERANCES EXCEPT AS NOTED MM ± 0.30 0 ± 0.20 .00 ± 0.10 .000 ± 0.05 ANGLES ± 2° THIRD ANGLE PROJECTION	DFTO: Roy DATE: 11/20/2012		RoHS Compliant	
	CHKD:	DATE:	TITLE: USB 3.0 A TYPE RECEPTACLE	
	APPVL:	DATE:	DRAWING NO. E8199-001-01	SIZE: A3
	MATERIAL:	QTY:	/PART NO. E8199-001-01	REV: 01
FINISH:	SCALE: 1:1	DO NOT SCALE DRAWING	SHEET 1 OF 2	

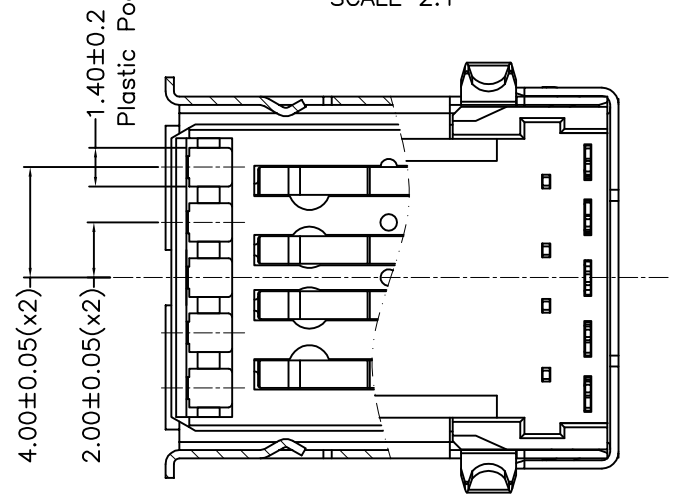
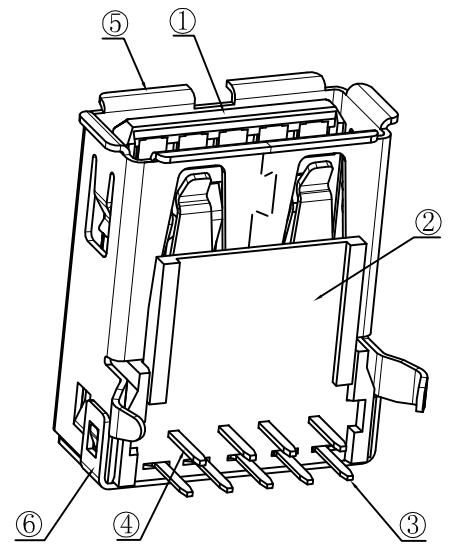
REVISION RECORD		
REV	DESCRIPTION	DRFT



SECTION A-A
SCALE 2:1



DETAIL E
SCALE 8:1



BOTTOM VIEW

DETACHED LISTS		DFTO: Roy	DATE: 11/20/2012		RoHS Compliant	
	TOLERANCES EXCEPT AS NOTED	CHKD:	DATE:			
	MM ± 0.30	±	APPVL:	DATE:	TITLE USB 3.0 A TYPE RECEPTACLE	
	.0 ± 0.20	±	MATERIAL:			
	.00 ± 0.10	±	QTY:			
.000 ± 0.05	±	FINISH:		DRAWING NO. E8199-001-01		
ANGLES ± 2°	THIRD ANGLE PROJECTION		SCALE: 1:1	/PART NO. E8199-001-01		
DO NOT SCALE DRAWING				SIZE A3	REV 01	
SHEET 2 OF 2						