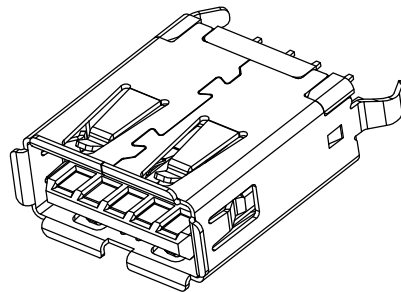
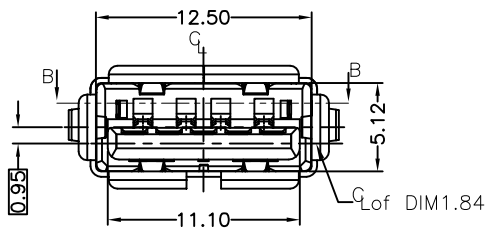
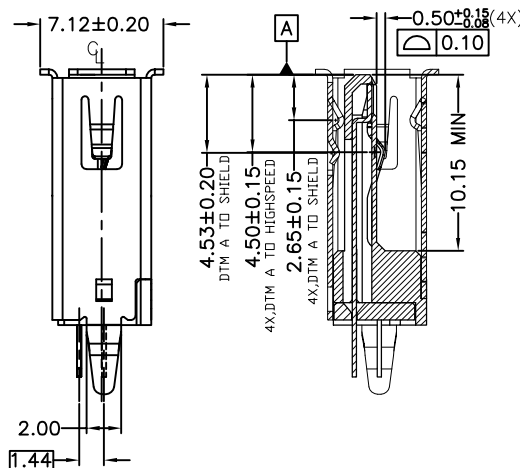
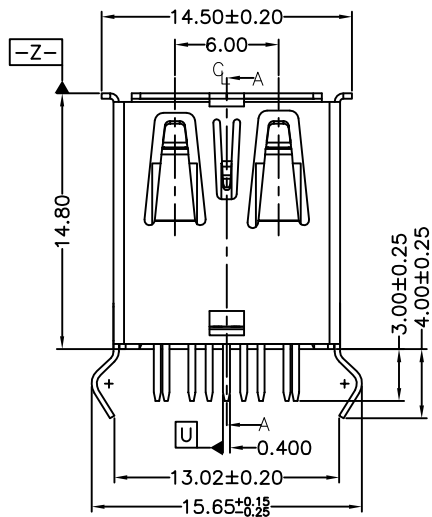


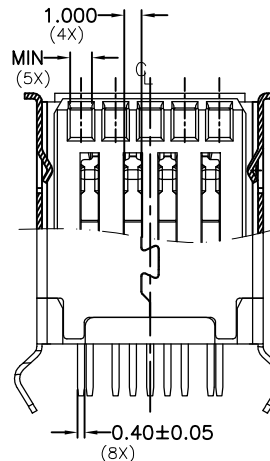
| REVISION RECORD | | |
|-----------------|-------------|------|
| REV | DESCRIPTION | DRFT |
| | | |



NOTES:
MATERIAL:
1. HOUSING & COVER: PBT (UL 94V-0), COLOR: BLUE 300C ;
2. SHIELD: BRASS; PLATING NICKEL OVER ALL.
3. 4PIN CONTACT: PHOSPHOR BRONZE;
5PIN CONTACT: BRASS;
PLATING GOLD ON 5u" CONTACT AREA,
PLATING TIN 100u" ON SOLDER AREA,
NICKEL 50u" UNDERPLATING OVER ALL.

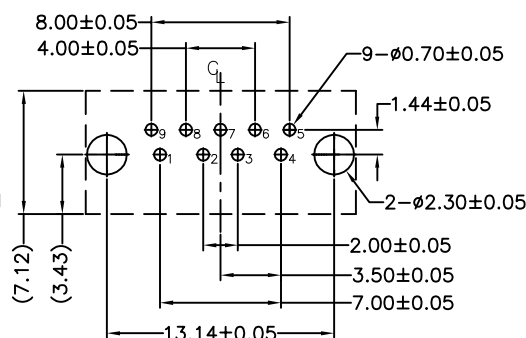
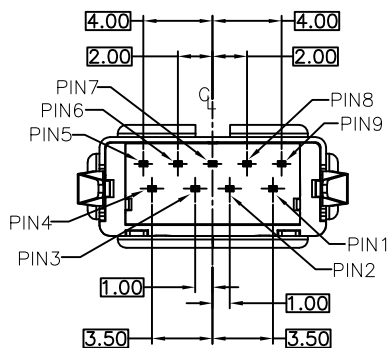


SECTION A-A
SCALE 1:1

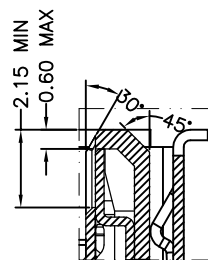


SECTION B-B
SCALE 1:1

CHARACTERISTICS:
1. CONTACT RESISTANCE: 30mΩ Max .FOR PIN 1 & PIN 4
50mΩ MAX.FOR OTHER CONTACTS
2. INSULATION RESISTANCE: 100MΩ Min.
3. DIELECTRIC WITHSTANDING VOLTAGE: 100 VAC .
4. MATING FORCE: 3.57Kgf MAX(35N Max)
5. EXTRACTION FORCE: 1.02Kgf Min(10N Min)
6. DURABILITY: 1500 CYCLES.
7. OPERATION TEMPERATURE: -20°C to +80°C



RECOMMEND P.C.B HOLE LAYOUT
TOP VIEW (TOLERANCE: 1.80±0.10)



DETAIL A
SCALE 1:1

| MM (INCH) | | DFTD Roy | DATE 11/20/2012 | Pulse Electronics | | RoHS Compliant | |
|----------------------------|---|------------------------|-----------------|---------------------------------|--|----------------|--------|
| TOLERANCES EXCEPT AS NOTED | | CHKD | DATE | TITLE RECEPTACLE, VERTICAL, THT | | | |
| MM | | APPVL | DATE | DRAWING NO. E8199-002-01 | | | |
| .0 ± 0.30 | ± | MATERIAL : | | /PART NO. E8199-002-01 | | SIZE A3 | REV 01 |
| .0 ± 0.20 | ± | QT'Y : | | DO NOT SCALE DRAWING | | SHEET 1 | OF 1 |
| .00 ± 0.10 | ± | FINISH : | | SCALE : 1:1 | | | |
| .000 ± 0.05 | ± | THIRD ANGLE PROJECTION | | | | | |