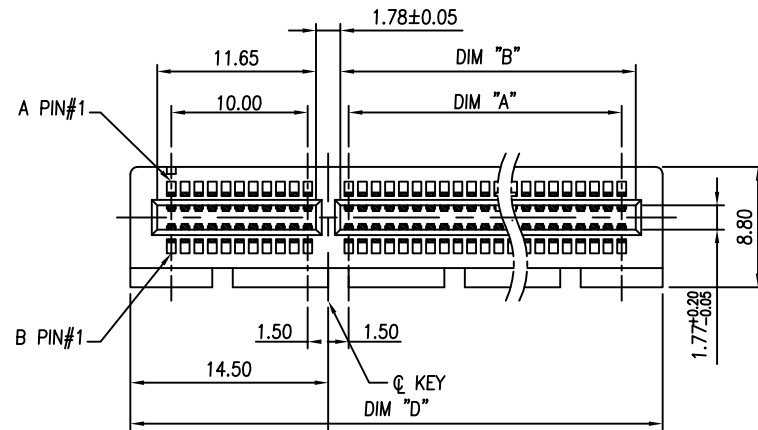
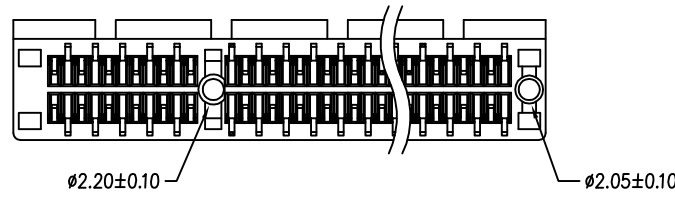
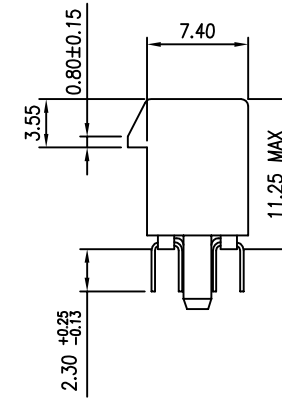
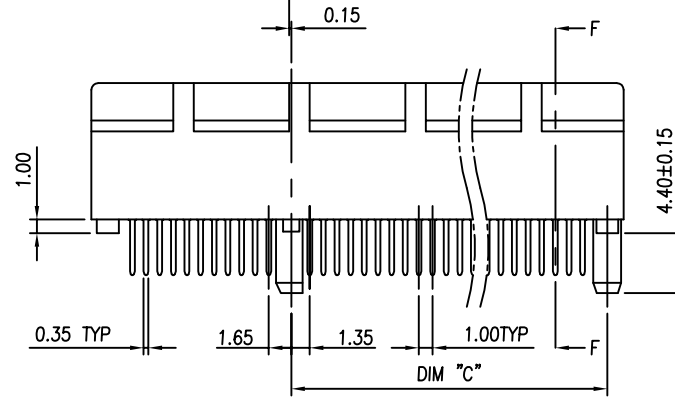
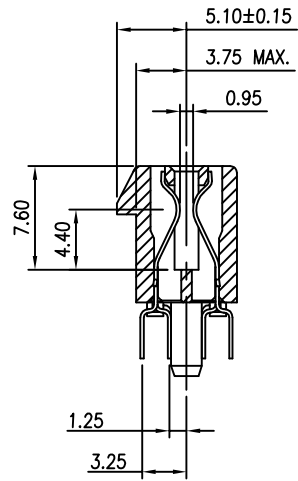


REVISION RECORD		
REV	DESCRIPTION	DRFT



DIMENSIONS				
POSITION	A ±0.10	B $\begin{smallmatrix} +0.15 \\ -0.05 \end{smallmatrix}$	C ±0.20	D ±0.23
36	6	7.65	9.15	25.00
64	20	21.65	23.15	39.00
98	37	38.65	40.15	56.00
164	70	71.65	73.15	89.00

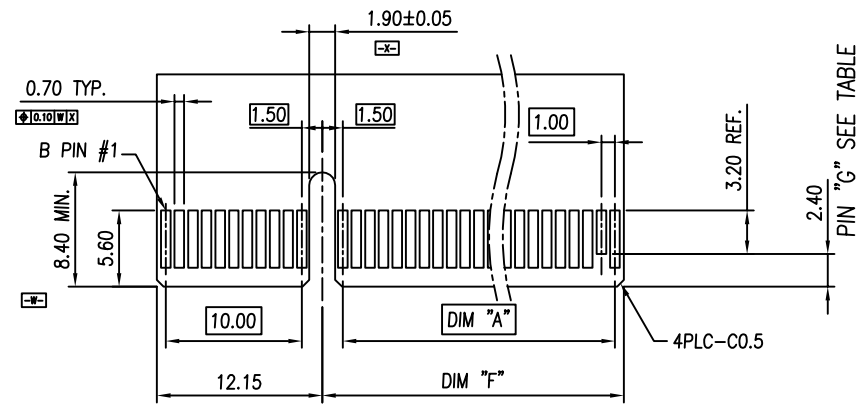


SECTION F-F

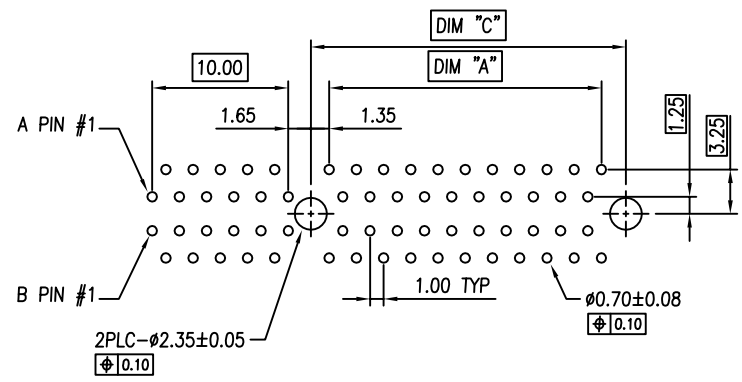
DUAL POST TYPE

DETACHED LISTS	MM (INCH)	DFTO Roy	DATE 11/14/2012	Pulse Electronics	RoHS Compliant	
	TOLERANCES EXCEPT AS NOTED	CHKD	DATE			
	MM	APPVL	DATE	TITLE		
	± 0.40	MATERIAL :		PCI EXPRESS 1.0mm CARD EDGE ASSY'		
	.0 ± 0.30 ±	ANGLES ± 0.5°	QTY :	DRAWING NO. E9001-XXX-XX	SIZE A3	REV 01
.00 ± 0.20 ±		FINISH :	/PART NO. E9001-XXX-XX	DO NOT SCALE DRAWING		
.000 ± 0.10 ±	THIRD ANGLE PROJECTION	SCALE : 1:1	SHEET 1 OF 3			

REVISION RECORD		
REV	DESCRIPTION	DRFT

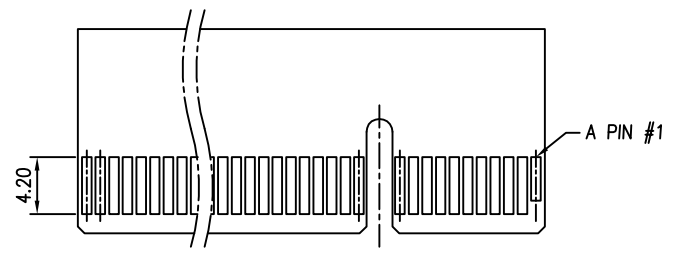
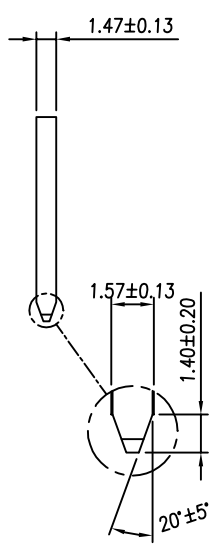


I/O PANEL DIRECTION
PRIMARY (COMPONENT) SIDE



RECOMMENDED PCB LAYOUT

TOLERANCE: ±0.05



I/O PANEL DIRECTION
SECONDARY (SOLDER) SIDE
ADD-IN CARD EDGE-FINGER DIMENSIONS

DIMENSIONS				
POSITION	A	C	F ±0.20	G
36	6	9.15	8.15	B PIN#17
64	20	23.15	22.15	B PIN#31
98	37	40.15	39.15	B PIN#48
164	70	73.15	72.15	B PIN#81

DETACHED LISTS	← MM (INCH) →		DFTO Roy	DATE 11/14/2012	Pulse Electronics	RoHS Compliant
	TOLERANCES EXCEPT AS NOTED		CHKD	DATE		
	MM		APPVL	DATE	TITLE PCI EXPRESS 1.0mm CARD EDGE ASSY'	
	.0 ± 0.30	±	MATERIAL :			
	.00 ± 0.20	±	QTY :		DRAWING NO. E9001-XXX-XX	
.000 ± 0.10	±	FINISH :		/PART NO. E9001-XXX-XX		
ANGLES ± 0.5°		SCALE : 1:1		DO NOT SCALE DRAWING		SHEET 2 OF 3
THIRD ANGLE PROJECTION						SIZE A3
						REV 01

NOTES:

1. MATERIAL:

1.1 HOUSING: THERMOPLASTIC, HIGH TEMP.,
UL94V-0;
COLOR: BLACK

1.2 CONTACTS: COPPER ALLOY.

2. FINISH:

2.1 CONTACT:

SELECTEIVE GOLD PLATING ON CONTACT AREA.
100μ" MIN. MATTE TIN PLATING ON SOLDER TAILS,
50μ" MIN. NICKEL UNDERPLATING OVERALL.

REVISION RECORD		
REV	DESCRIPTION	DRFT

PRAT NUMBER	DESCRIPTION	PLATING Au	No.of Pins	Packing
E9001-001-01	PCI Express Connector, Vertical, THT,	1u"	36pin	Tray
E9001-001-02		15u"	36pin	
E9001-002-01		1u"	64pin	
E9001-002-02		15u"	64pin	
E9001-003-01		1u"	98pin	
E9001-003-02		15u"	98pin	
E9001-004-01		1u"	164pin	
E9001-004-02		15u"	164pin	

DETACHED LISTS			DFTO Roy	DATE 11/14/2012		RoHS Compliant		
	TOLERANCES EXCEPT AS NOTED		CHKD	DATE				
	MM		APPVL	DATE	TITLE PCI EXPRESS 1.0mm CARD EDGE ASSY'			
	. ± 0.40	±	MATERIAL :					
	.0 ± 0.30	±	QTY :		DRAWING NO. E9001-XXX-XX		SIZE	REV
.00 ± 0.20	±	FINISH :		/PART NO. E9001-XXX-XX		A3	01	
.000 ± 0.10	±	THIRD ANGLE PROJECTION		SCALE : 1:1		DO NOT SCALE DRAWING		SHEET 3 OF 3

8

7

6

5

4

3

2

1

H
G
F
E
D
C
B
A