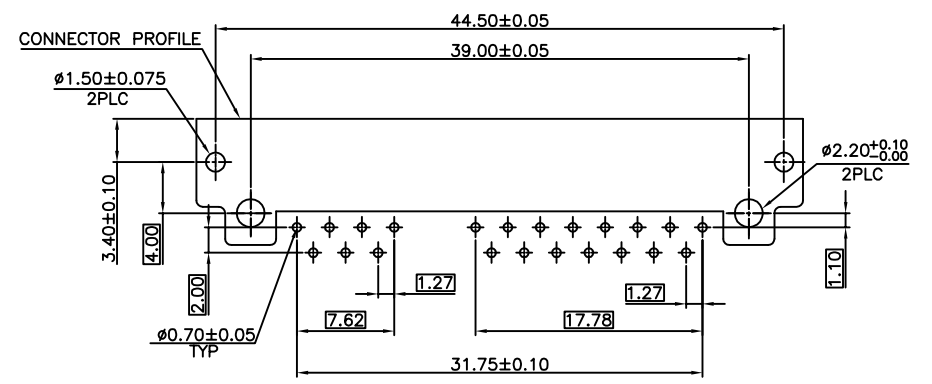
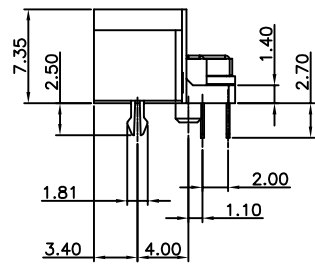
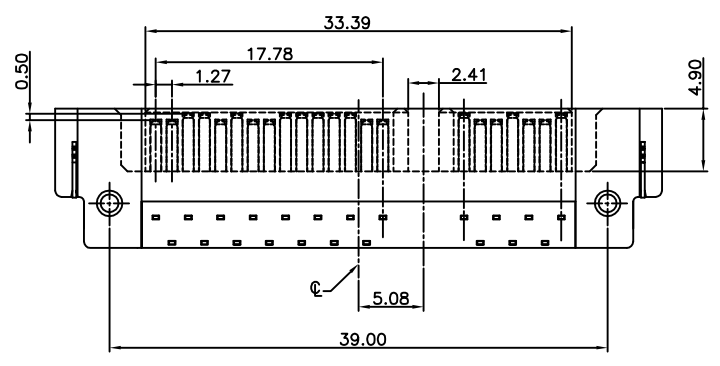
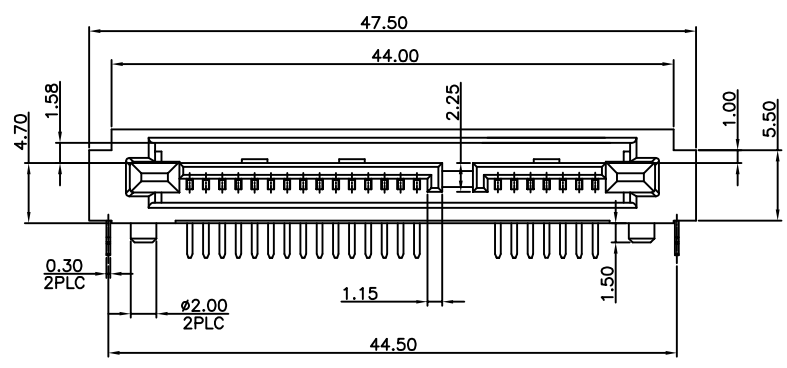
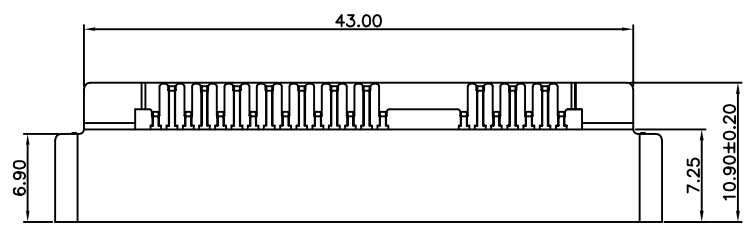


REVISION RECORD		
REV	DESCRIPTION	DRFT



RECOMMENDED PCB LAYOUT(DIP TYPE) T=1.60mm±0.10

NOTES  
1.MATERIAL:

- HOUSING:LCP UL94V-0,COLOR:BLACK.
- CONTACT:BRASS,15u" MIN. GOLD PLATING ON CONTACT AREA  
100u" MIN. TIN PLATING ON SOLDERTAILS  
50u" MIN. NICKEL UNDERPLATING OVER ALL
- METAL POST:BRASS,100u" MIN. TIN PLATING ON SOLDERTAILS  
50u" MIN. NICKEL UNDERPLATING OVER ALL

2. CHARACTERISTICS

- CONTACT RESISTANCE:30 mΩMAX.
- INSULATION RESISTANCE: 1000 MΩMIN.
- DIELECTRICAL WITHSTANDING :AC 500V.
- MATING FORCE:4.59Kgf MAX(45N MAX)
- UNMATING FORCE:1.02Kgf Min(10N Min)
- TEMPERATURE RANGE:-40° C TO +105° C

DETACHED LISTS	← MM (INCH) →	DFTO Roy	DATE 11/20/2012	<b>Pulse Electronics</b>	<b>RoHS Compliant</b>	
	TOLERANCES EXCEPT AS NOTED	CHKD	DATE			
	MM 0 ± 0.38 .00 ± 0.25 .000 ± 0.13	± ± ±	APPVL	DATE	TITLE SATA 7+15P THT	
	ANGLES :X: ±3° X.X' ±1'	QTY :	MATERIAL :			
		THIRD ANGLE PROJECTION	FINISH :	SCALE : 1:1	DRAWING NO. E9122-004-01	SIZE A3
				DO NOT SCALE DRAWING		SHEET 1 OF 1