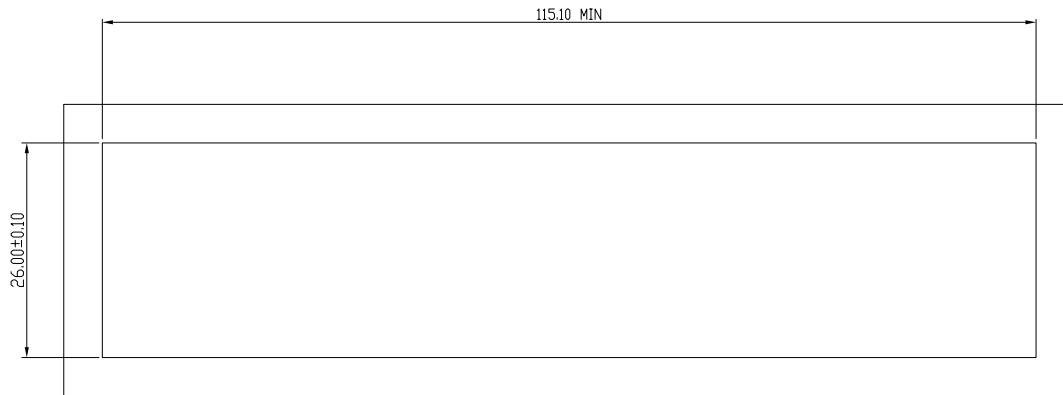


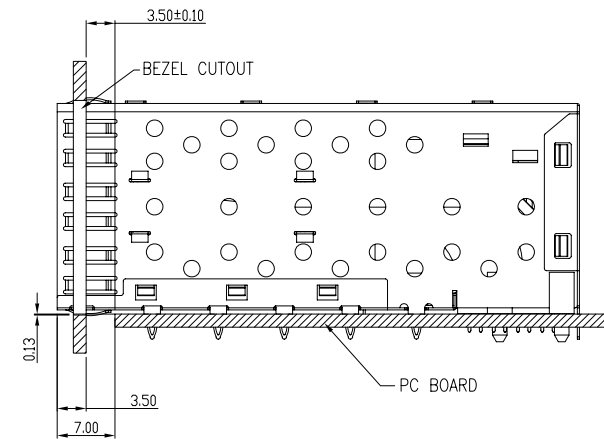
FULL RADIUS TYP. ON END OF PINS TO ASSIST ENTRY INTO PCB HOLES.

Qty Per:	TRAY	CARTON		
	3	18		
PART NUMBER	STATEMENT			
SFP032-L	INNER/OUTER LIGHT PIPES			
	INNER LIGHT PIPES			
	OUTER LIGHT PIPES			
No.	DESCRIPTION	Q'ty	MATERIAL	PLATING
01	SFP CAGE (Non-Logo)	1	COPPER ALLOY	
02	CONNECTOR	8	HIGH TEMP/COPPER ALLOY	GOLD
03	LIGHT PIPES	8	POLYCARBONITE	

DETACHED LISTS	MM (INCH)		<b>RoHS Compliant</b>	
	TOLERANCES EXCEPT AS NOTED			
	MM			
	.0 ± 0.25	±		
.00 ± 0.20	±			
.000 ± 0.10	±			
ANGLES ± 0.5		TITLE SFP 2 by 8 CAGE+CONNECTOR_P		
 THIRD ANGLE PROJECTION		DFTD Jack		SIZE
		DATE 12/02/08		A3
SCALE : 1		DRAWING NO. CSFP032-L		REV
		/PART NO. SFP032-L		1
		DO NOT SCALE DRAWING		SHEET 1 OF 4



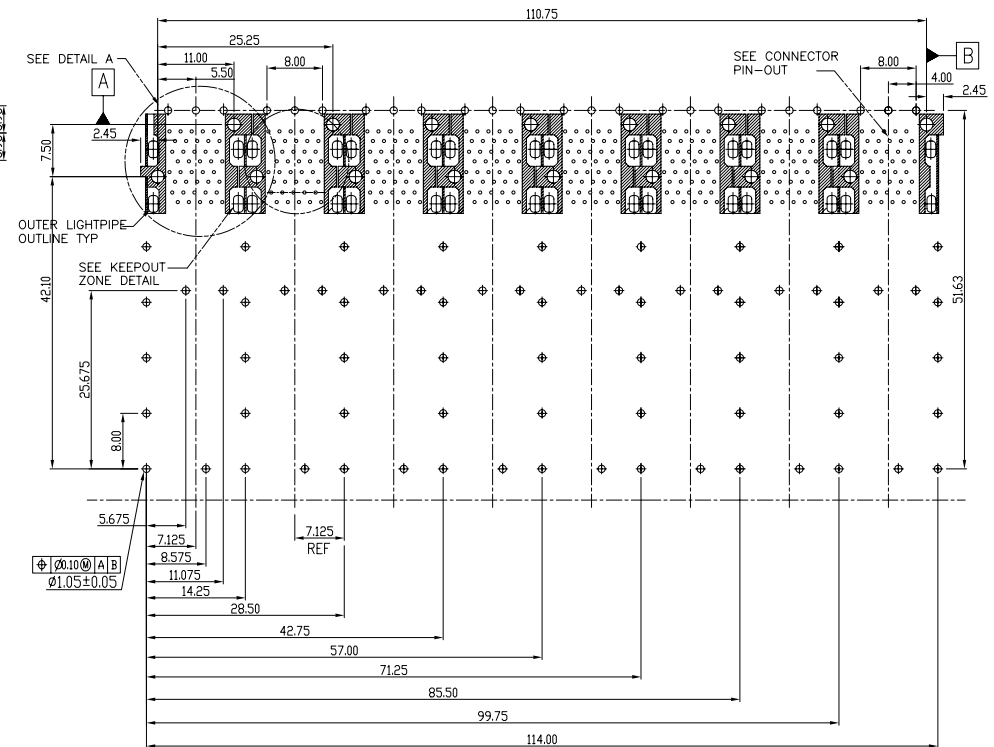
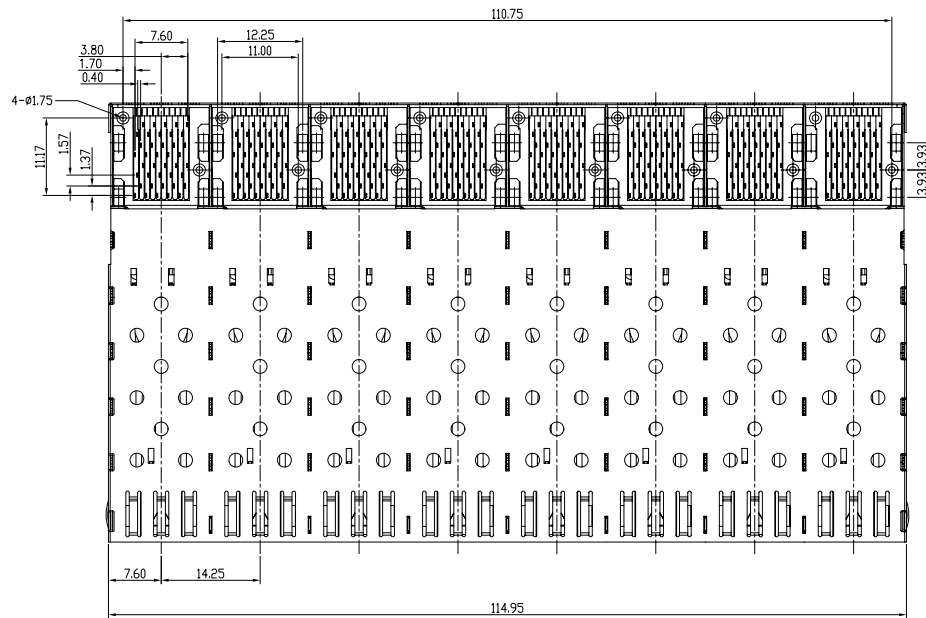
BEZEL CUT-OUT CENTER SPACING DETAIL  
 BEZEL THICKNESS:0.8-2.6



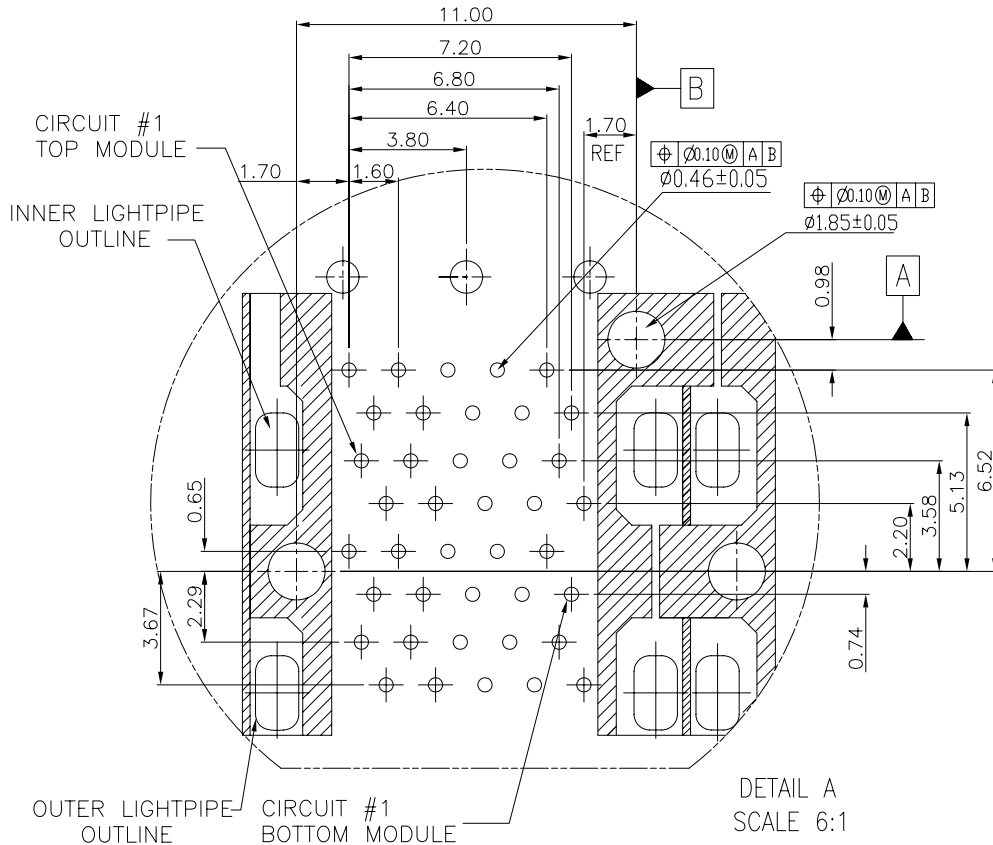
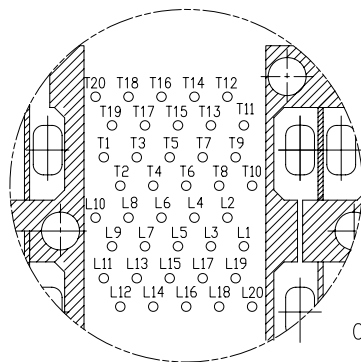
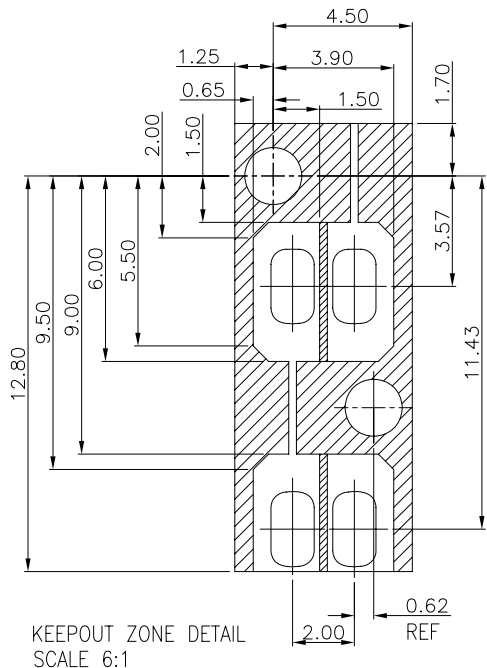
8 | 7 | 6 | 5 | 4 | 3 | 2 | 1

H  
G  
F  
E  
D  
C  
B  
A

DETACHED LISTS	MM (INCH)		<b>RoHS Compliant</b>			
	TOLERANCES EXCEPT AS NOTED					
	MM					
	.0 ± 0.25				±	
.00 ± 0.20				±		
.000 ± 0.10				±		
ANGLES ± 0.5						
		<b>TITLE</b>		<b>W/LIGHT PIPES</b>		
DFTD Jack DATE 12/02/08'		DRAWING NO. CSFP032-L /PART NO. SFP032-L		SFP 2 by 8 CAGE+CONNECTOR_P		
SCALE : 2:1		DO NOT SCALE DRAWING		SIZE A3	REV 1	
SHEET 2 OF 4						



← MM (INCH) → TOLERANCES EXCEPT AS NOTED		<b>RoHS Compliant</b>			
DETACHED LISTS MM .0 ± 0.25 ± .00 ± 0.20 ± .000 ± 0.10 ± ANGLES ± 0.5		TITLE SFP 2 by 8 CAGE+CONNECTOR_P		W/LIGHT PIPES SIZE A3	
THIRD ANGLE PROJECTION		DFTD Jack DATE 12/02/08'		DRAWING NO. CSFP032-L /PART NO. SFP032-L	
SCALE : 2:1		DO NOT SCALE DRAWING		SHEET 3 OF 4	



DETACHED LISTS	MM (INCH)		<b>RoHS Compliant</b>		
	TOLERANCES EXCEPT AS NOTED				
	MM	±			
	.0 ± 0.25	±			
	.00 ± 0.20	±	TITLE W/LIGHT PIPES SFP 2 by 8 CAGE+CONNECTOR_P		
	.000 ± 0.10	±			
	ANGLES ± 0.5		DFTD Jack DATE 12/02/08'		
					DRAWING NO. CSFP032-L /PART NO. SFP032-L
THIRD ANGLE PROJECTION			SCALE : 2:1		SIZE A3
			DO NOT SCALE DRAWING		REV 1
				SHEET 4	OF 4