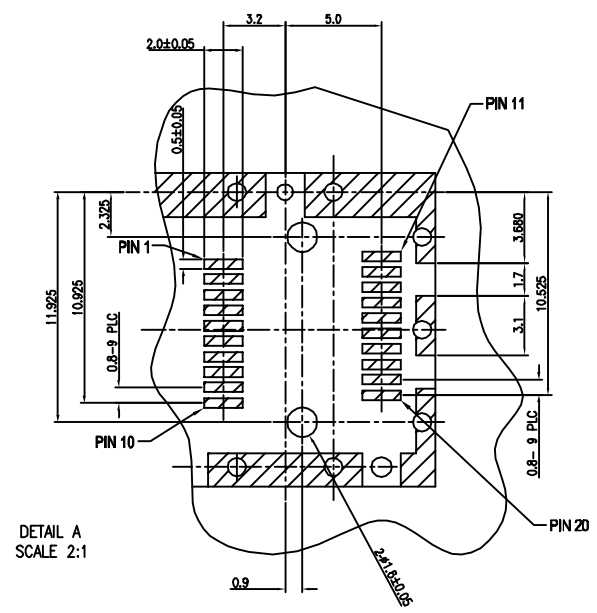
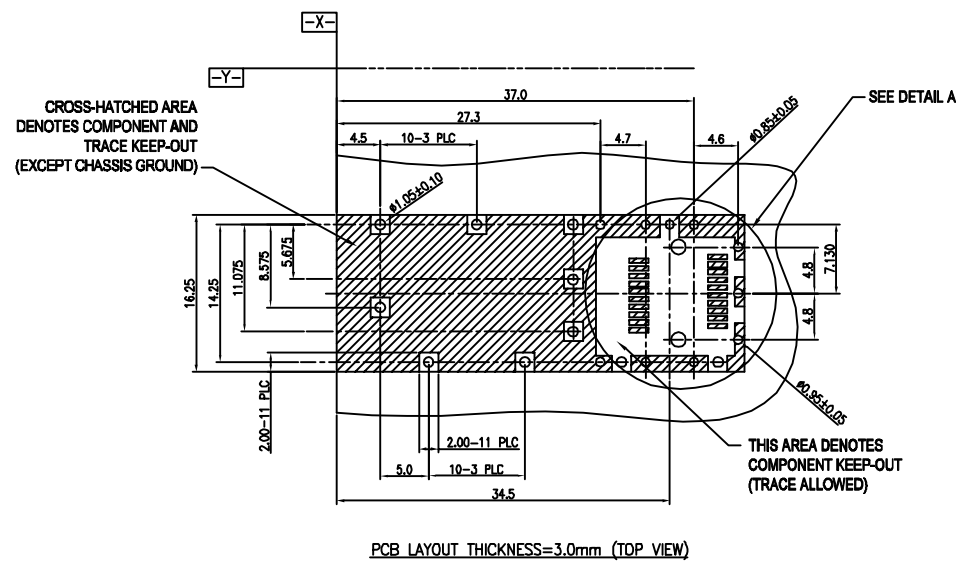
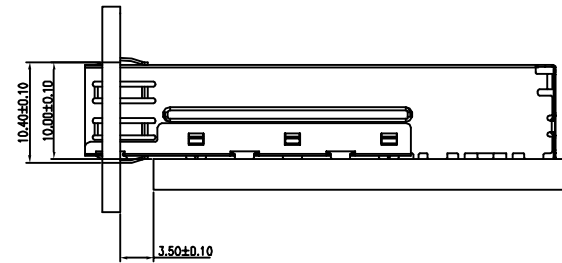
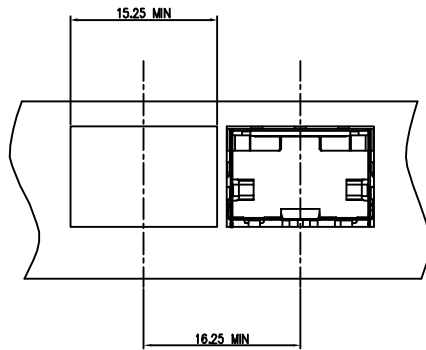


H
G
F
E
D
C
B
A

Qty per:	Tray	Carton		
	45	900		
PART NUMBER : SFPCAGE002-L				
No.	DESCRIPTION	Q'ty	MATERIAL	PLATING
01	CAGE TOP	1	COPPER ALLOY	Nickel
02	CAGE BOTTOM	1	COPPER ALLOY	Nickel

DETACHED LISTS TOLERANCES EXCEPT AS NOTED MM .0 ± 0.2 ± .00 ± 0.15 ± .000 ± 0.075 ± ANGLES ± 0.5 THIRD ANGLE PROJECTION	MM (INCH) RoHS Compliant		
	TITLE (Non-Logo) SFP CAGE 1 BY 1 PRESSFIT		
	DFTO Jack DATE 8/03/06	DRAWING NO. SFPCAGE002-L /PART NO.	SIZE REV A3 0
	SCALE : 1:1	DO NOT SCALE DRAWING	SHEET 1 OF 2

8 | 7 | 6 | 5 | 4 | 3 | 2 | 1



8 | 7 | 6 | 5 | 4 | 3 | 2 | 1

H
G
F
E
D
C
B
A

DETACHED LISTS	MM (INCH)	RoHS Compliant			
	TOLERANCES EXCEPT AS NOTED	TITLE			
	MM	SFP CAGE 1 BY 1 PRESSFIT			
	.0 ± 0.2 ± .00 ± 0.15 ± .000 ± 0.075 ± ANGLES ± 0.5	DFTO Jack	DRAWING NO. SFPCAGE002-L	SIZE	REV
	DATE 8/03/06	/PART NO.	A3	0	
	SCALE : 1:1	DO NOT SCALE DRAWING	SHEET 2	OF 2	