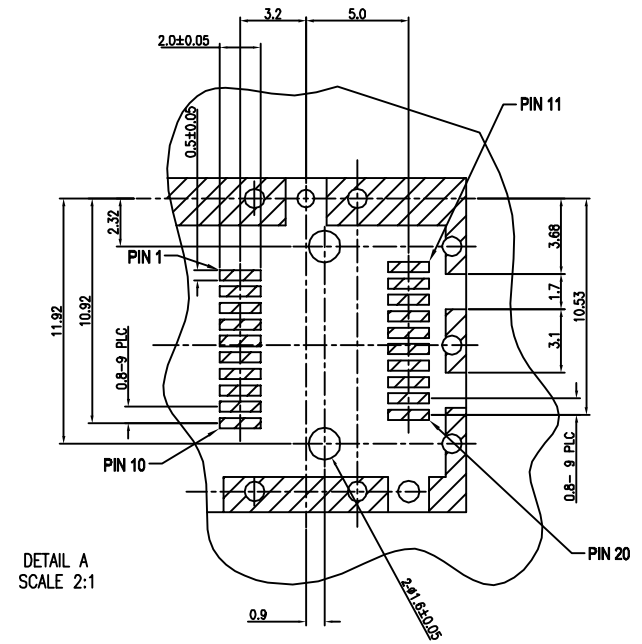
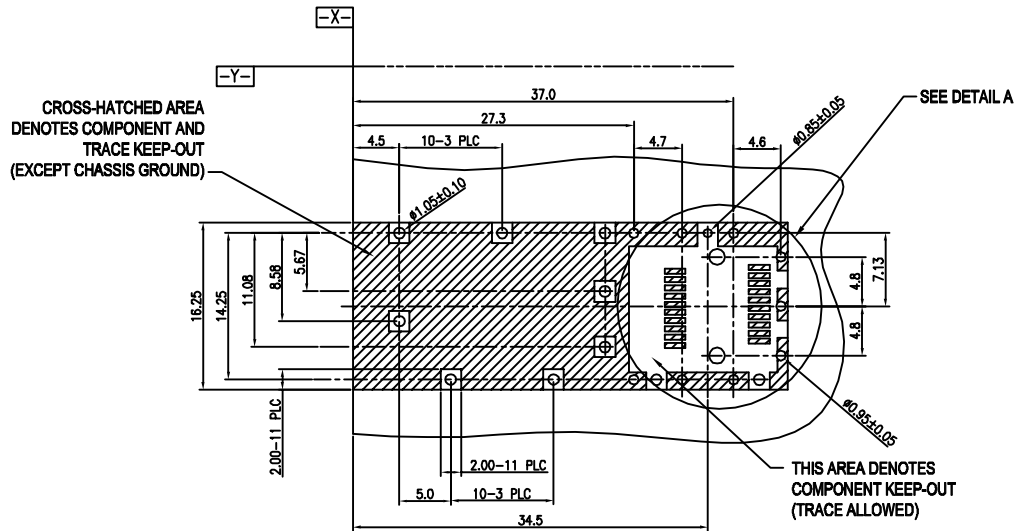
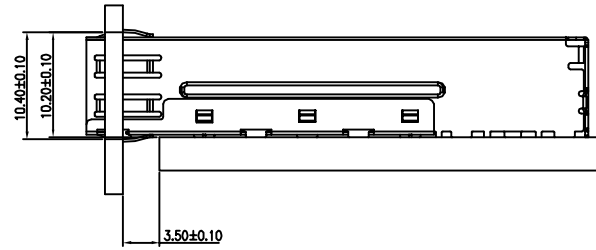
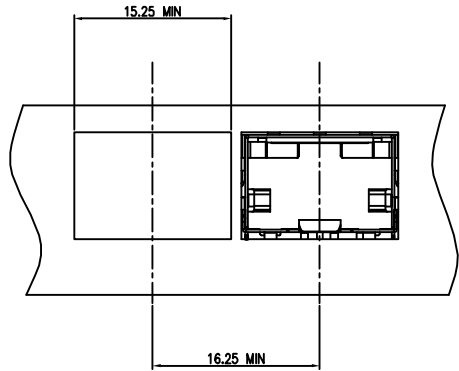


Qty per:	Tray	Carton		
	45	900		
PART NUMBER : SFPCAGE005-L				
No.	DESCRIPTION	Q'ty	MATERIAL	PLATING
01	CAGE TOP	1	COPPER ALLOY	Nickel(Bright)
02	CAGE BOTTOM	1	COPPER ALLOY	Nickel(Bright)

DETACHED LISTS	MM (INCH)	RoHS Compliant		
	TOLERANCES EXCEPT AS NOTED			
	.0 ± 0.2			±
	.00 ± 0.15			±
.000 ± 0.075	±	TITLE SFP CAGE 1 BY 1 THROUGH HOLE (Non-Logo)		
ANGLES ± 0.5		DFTO Jack		
THIRD ANGLE PROJECTION		DRAWING NO. SFPCAGE005-L		
		DATE 12/14/06' /PART NO.		
SCALE : 1:1		DO NOT SCALE DRAWING		
		SHEET 1 OF 2		

H
G
F
E
D
C
B
A

8 | 7 | 6 | 5 | 4 | 3 | 2 | 1



PCB LAYOUT THICKNESS=3.0mm (TOP VIEW)

		RoHS Compliant			
TOLERANCES EXCEPT AS NOTED MM .0 ± 0.2 ± .00 ± 0.15 ± .000 ± 0.075 ± ANGLES ± 0.5		TITLE SFP CAGE 1 BY 1 THROUGH HOLE (Non-Logo)			
 THIRD ANGLE PROJECTION		DFTO Jack DATE 12/14/06'		DRAWING NO. SFP CAGE005-L /PART NO.	
SCALE : 1:1		DO NOT SCALE DRAWING		SIZE A3 REV 0	
SHEET 2 OF 2				OF 2	