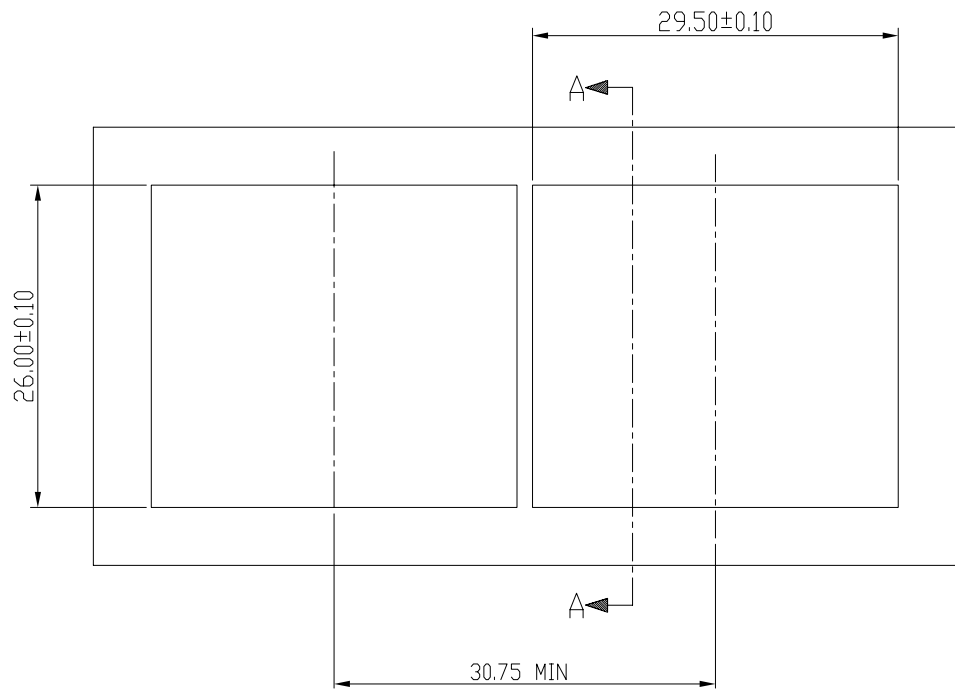


Qty Per:	TRAY	CARTON		
	12	72		
PART NUMBER	STATEMENT			
SFPP-3131-L	INNER LIGHT PIPES			
No.	DESCRIPTION	Q'ty	MATERIAL	PLATING
01	SFP CAGE (Non-Logo)	1	COPPER ALLOY	
02	CONNECTOR	2	HIGH TEMP/COPPER ALLOY	GOLD
03	LIGHT PIPES	2	POLYCARBONITE	
04	EMI TAB	2	COPPER ALLOY	

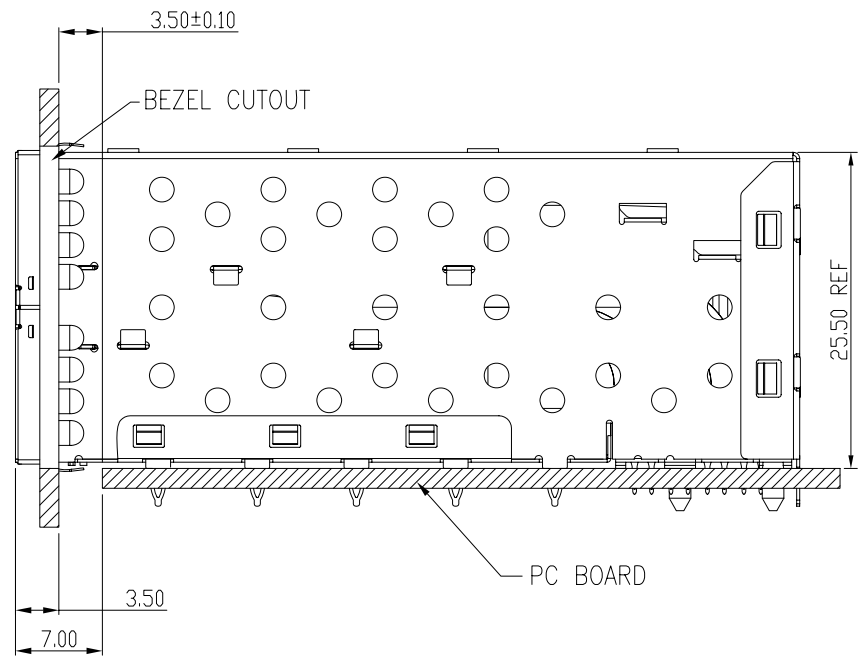
DETACHED LISTS	MM (INCH)	RoHS Compliant			
	TOLERANCES EXCEPT AS NOTED			TITLE SFP PLUS 2 BY 2 CAGE+CONNECTOR_P	
	MM				±
	.0 ± 0.25				±
.00 ± 0.2	±				
.000 ± 0.10	±				
ANGLES ± 0.5					
	THIRD ANGLE PROJECTION	DFTD Jack	DRAWING NO. CSFPP-3131-L	SIZE	REV
		DATE 6/09/09'	/PART NO. SFPP-3131-L	A3	0
	SCALE : 2:1	DO NOT SCALE DRAWING	SHEET 1	OF 4	

8 7 6 5 4 3 2 1

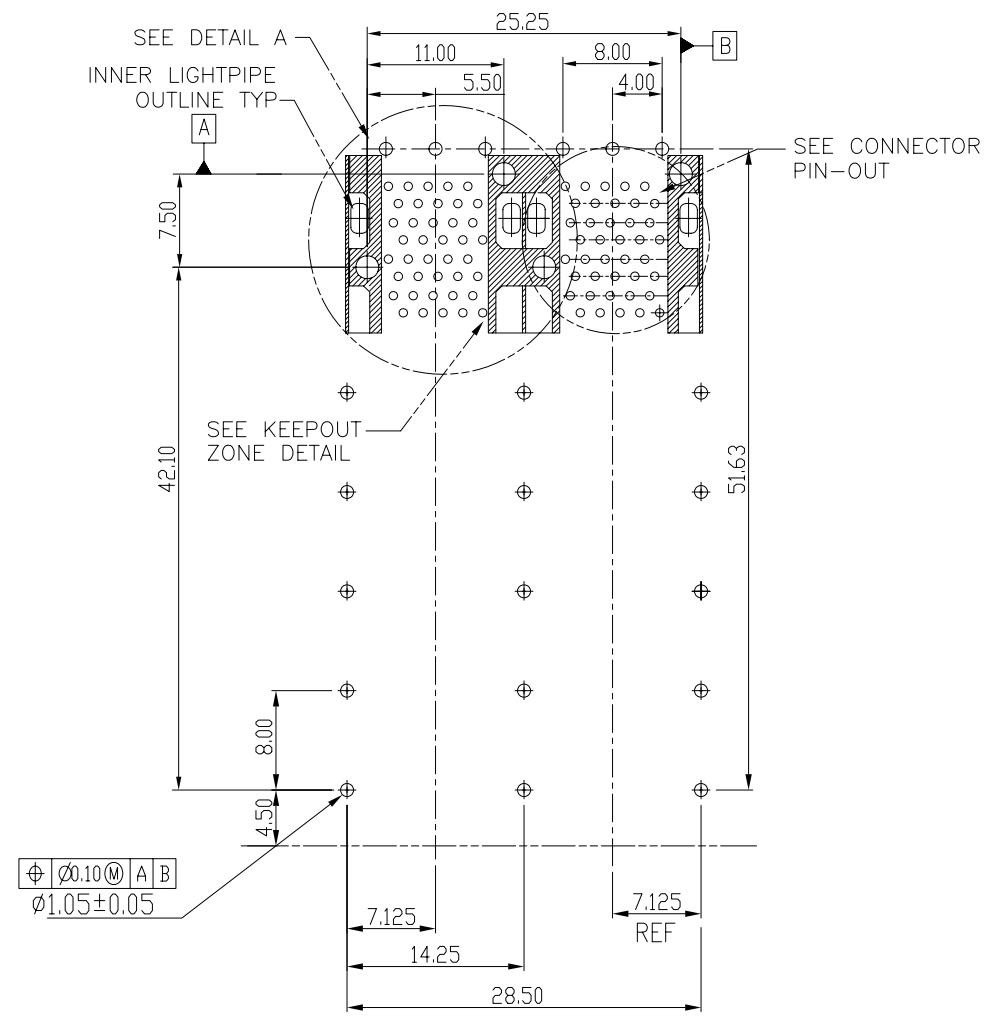
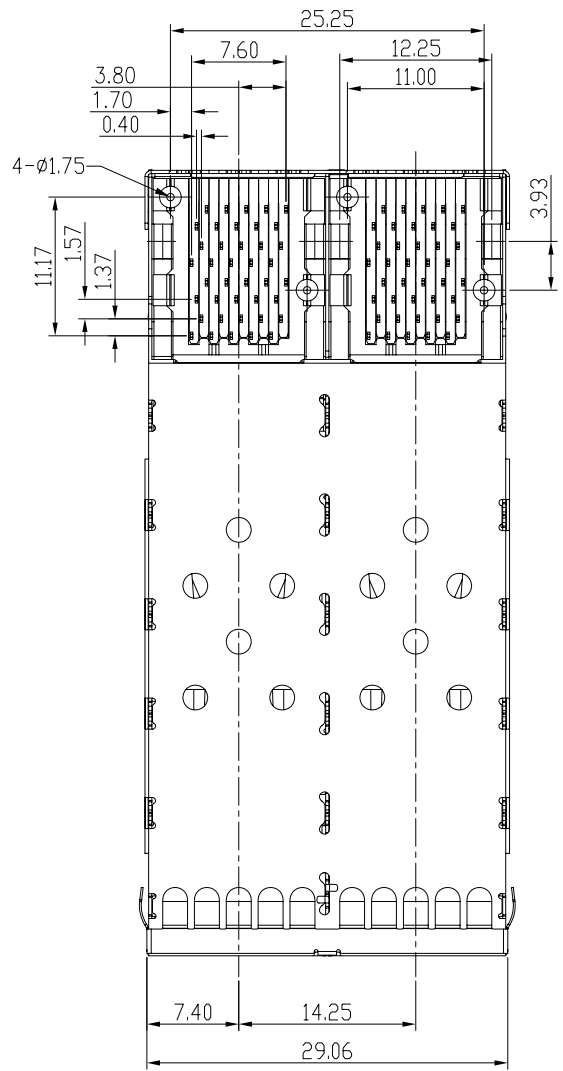
H
G
F
E
D
C
B
A



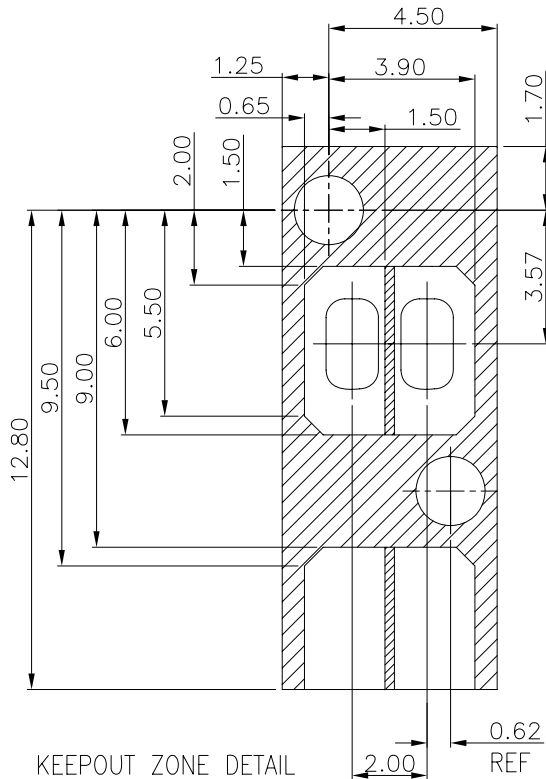
BEZEL CUT-OUT CENTER SPACING DETAIL
 BEZEL THICKNESS:0.8-2.6



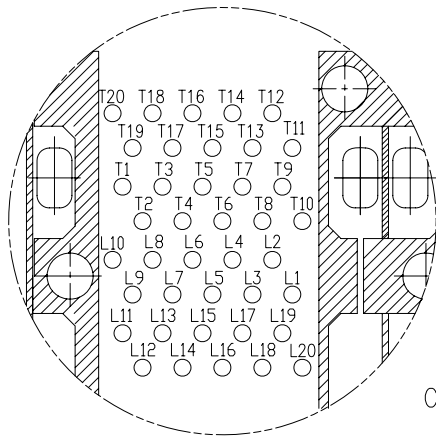
DETACHED LISTS	MM (INCH)	RoHS Compliant				
	TOLERANCES EXCEPT AS NOTED		TITLE SFP 2 BY 2 CAGE+CONNECTOR_P W/LIGHT PIPES&EMI TAB			
	MM					
	.0 ± 0.25	±				
.00 ± 0.2	±	DRAWING NO. CSFPP-3131-L		SIZE	REV	
.000 ± 0.10	±	DATE 6/09/09'		A3	0	
ANGLES ± 0.5		SCALE : 2:1		DO NOT SCALE DRAWING		
 THIRD ANGLE PROJECTION		DRAWING NO. CSFPP-3131-L		SHEET 2 OF 4		
		/PART NO. SFPP-3131-L				



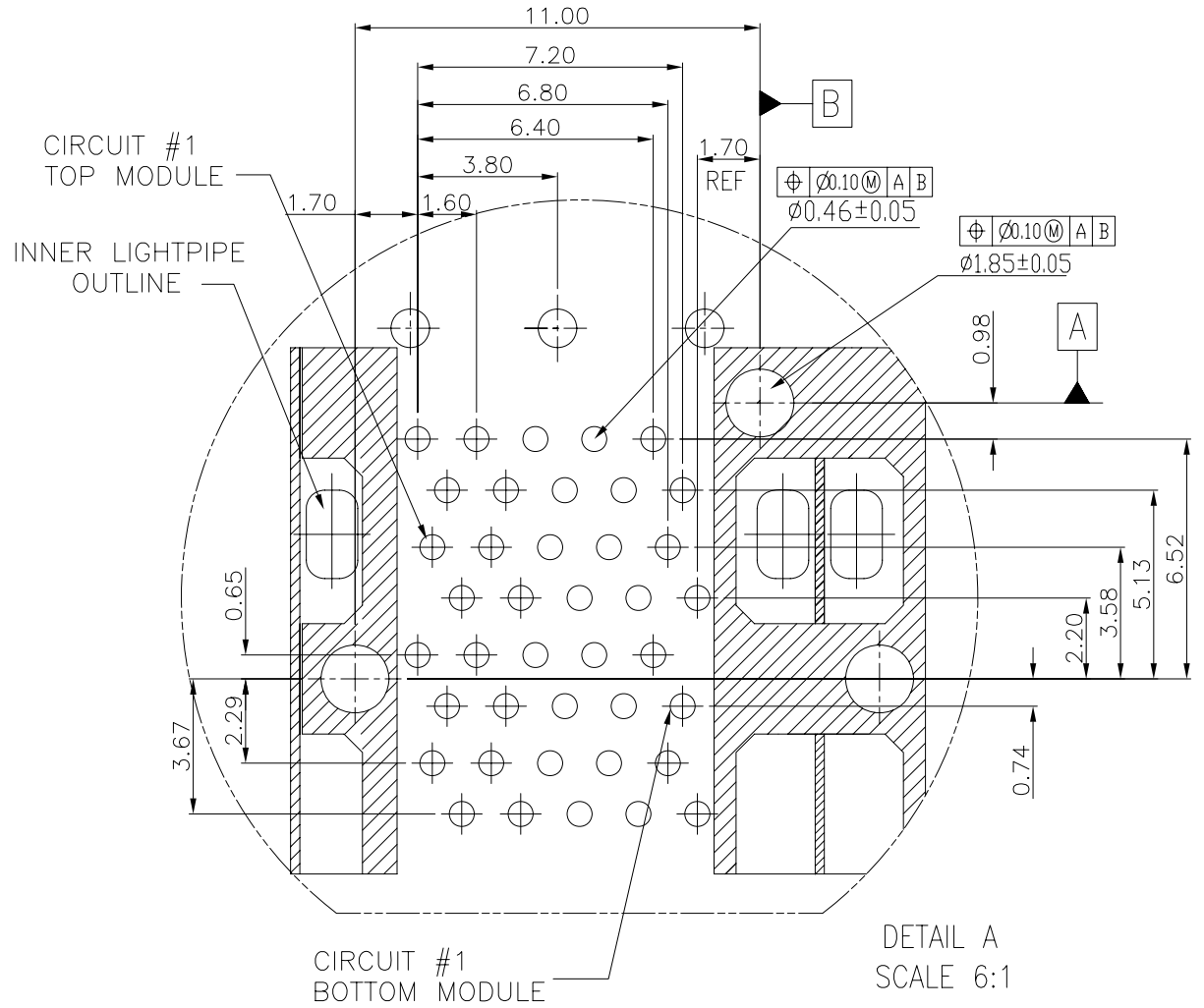
MM (INCH)		RoHS Compliant			
TOLERANCES EXCEPT AS NOTED		TITLE SFP 2 BY 2 CAGE+CONNECTOR_P W/LIGHT PIPES&EMI TAB			
DETACHED LISTS	MM .0 ± 0.25 .00 ± 0.2 .000 ± 0.10	± ± ±	DFTD Jack DATE 6/09/09		DRAWING NO. CSFPP-3131-L /PART NO. SFPP-3131-L
	ANGLES ± 0.5		SCALE : 2:1	DO NOT SCALE DRAWING	SHEET 3 OF 4
	 THIRD ANGLE PROJECTION		SIZE A3	REV 0	



KEEPOUT ZONE DETAIL
SCALE 6:1



CONNECTOR PIN-OUT
COMPONENT SIDE OF BOARD



CIRCUIT #1
BOTTOM MODULE

DETAIL A
SCALE 6:1

← MM (INCH) → TOLERANCES EXCEPT AS NOTED		RoHS Compliant			
DETACHED LISTS	MM	±	TITLE W/LIGHT PIPES&EMI TAB SFP 2 BY 2 CAGE+CONNECTOR_P		
	.00 ± 0.2	±			
	.000 ± 0.10	±			
ANGLES ± 0.5					
 THIRD ANGLE PROJECTION		DFTD Jack DATE 6/09/09*		DRAWING NO. CSFPP-3131-L /PART NO. SFPP-3131-L	
SCALE : 2:1		DO NOT SCALE DRAWING		SIZE A3	REV 0
				SHEET 4	OF 4

8

7

6

5

4

3

2

1

H
G
F
E
D
C
B
A