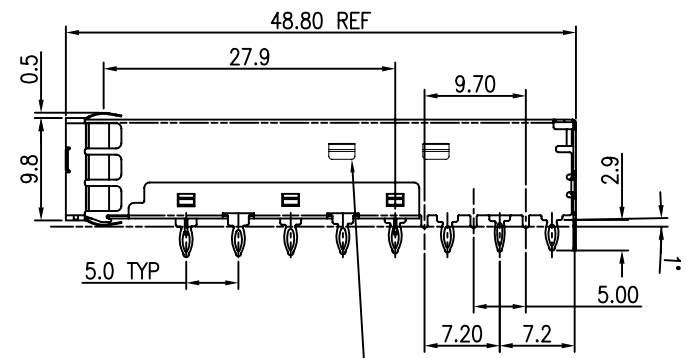
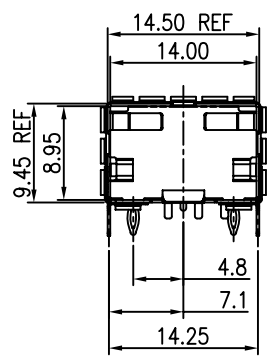
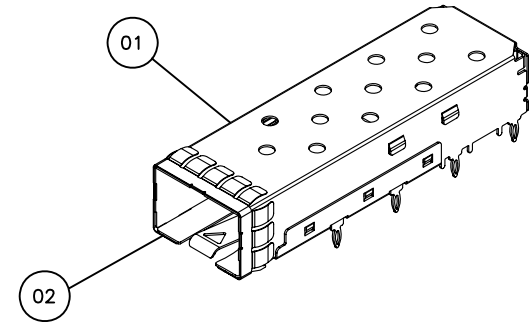
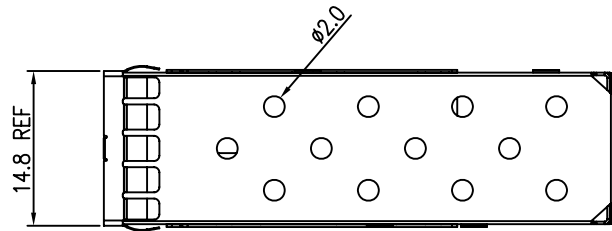


H
G
F
E
D
C
B
A



| Qty per: | Tray | Carton | | |
|-----------------------------|-------------|--------|--------------|---------|
| | 45 | 900 | | |
| PART NUMBER : SFPPCAGE011-L | | | | |
| No. | DESCRIPTION | Q'ty | MATERIAL | PLATING |
| 01 | CAGE TOP | 1 | COPPER ALLOY | Nickel |
| 02 | CAGE BOTTOM | 1 | COPPER ALLOY | Nickel |

DETACHED LISTS

MM (INCH)

TOLERANCES EXCEPT AS NOTED

| | |
|--------------|---|
| MM | ± |
| .0 ± 0.2 | ± |
| .00 ± 0.15 | ± |
| .000 ± 0.075 | ± |

ANGLES ± 0.5

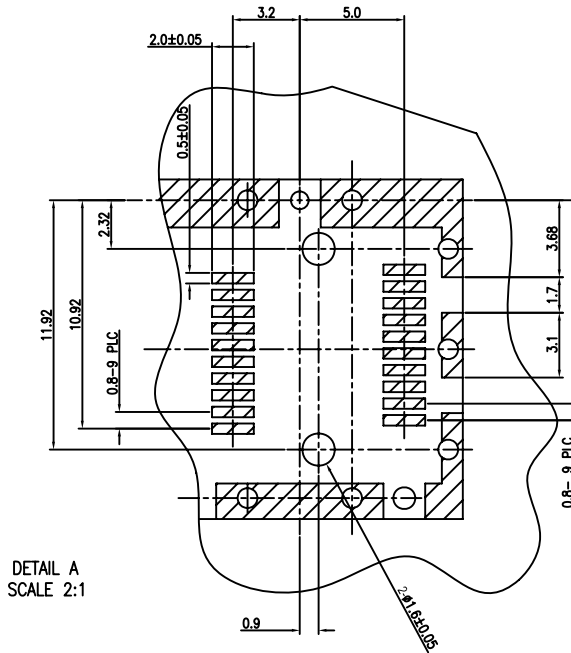
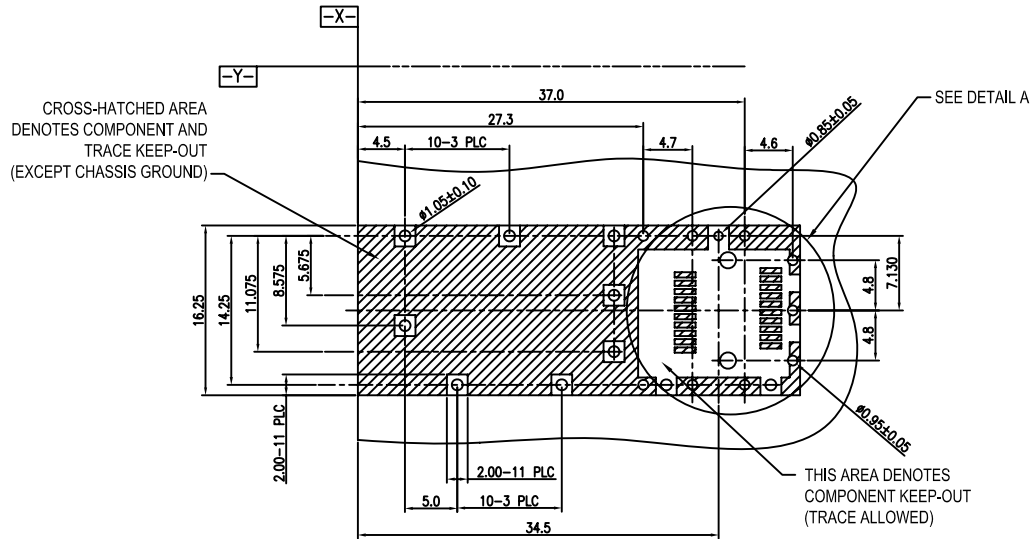
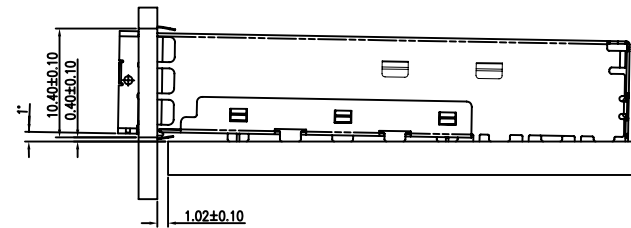
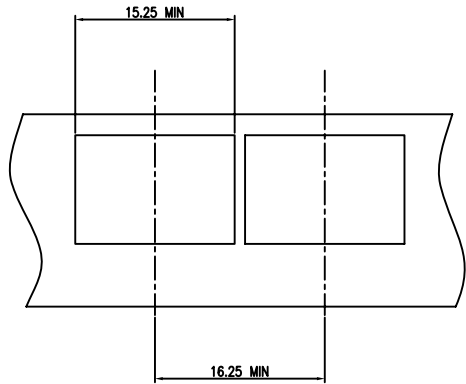
THIRD ANGLE PROJECTION

RoHS Compliant



| | | | |
|------------------------------------|---------------------------|---------|------|
| TITLE | | SIZE | REV |
| SFP+ CAGE 1 BY 1,PRESS-FIT,FOR PCI | | A3 | R9 |
| DFTO Peter | DRAWING NO. SFPPCAGE011-L | | |
| DATE 07/22/08 | /PART NO. | | |
| SCALE : 1:1 | DO NOT SCALE DRAWING | SHEET 1 | OF 2 |

8 | 7 | 6 | 5 | 4 | 3 | 2 | 1



H
G
F
E
D
C
B
A

8 | 7 | 6 | 5 | 4 | 3 | 2 | 1

| | | | | | | |
|------------------------|----------------------------|----------------|------------------------------------|---------------------------|------|-----|
| DETACHED LISTS | MM (INCH) | RoHS Compliant | | | | |
| | TOLERANCES EXCEPT AS NOTED | | TITLE | | | |
| | MM | | SFP+ CAGE 1 BY 1,PRESS-FIT,FOR PCI | | | |
| | .0 ± 0.2 | ± | DFTO Peter | DRAWING NO. SFPPCAGE011-L | SIZE | REV |
| .00 ± 0.15 | ± | DATE 07/22/08 | /PART NO. | A3 | R9 | |
| .000 ± 0.075 | ± | SCALE : 1:1 | DO NOT SCALE DRAWING | SHEET 2 | OF 2 | |
| ANGLES ± 0.5 | | | | | | |
| THIRD ANGLE PROJECTION | | | | | | |