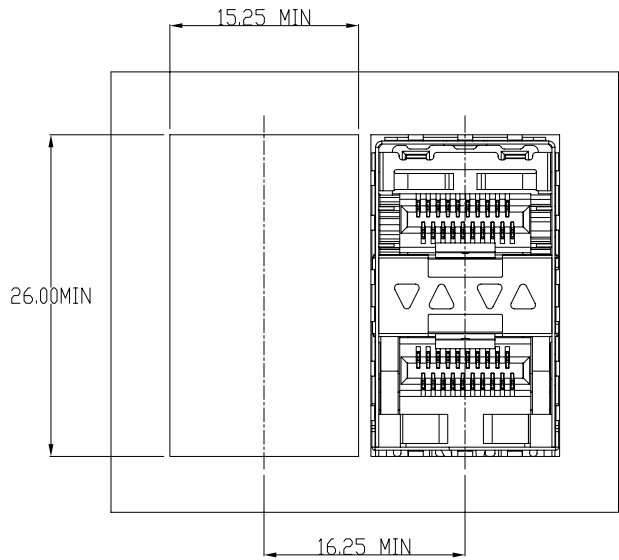
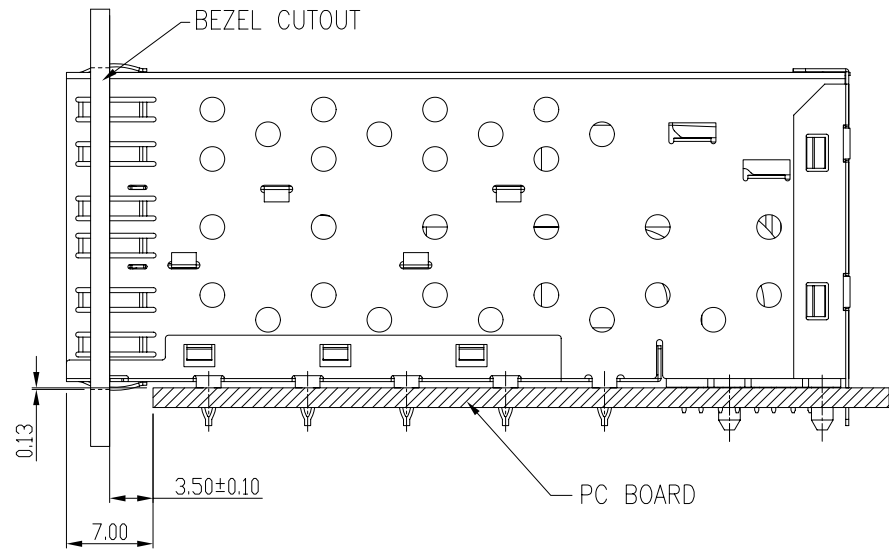


Qty Per:	TRAY	CARTON		
	16	96		
PART NUMBER	STATEMENT			
SFP0-3040-L	INNER/OUTER LIGHT PIPES			
No.	DESCRIPTION	Q'ty	MATERIAL	PLATING
01	SFP CAGE (Non-Logo)	1	COPPER ALLOY	NICKEL
02	CONNECTOR	1	HIGH TEMP/COPPER ALLOY	GOLD
03	LIGHT PIPE	1	POLYCARBONITE	

DETACHED LISTS	MM (INCH)	<b>RoHS Compliant</b>	
	TOLERANCES EXCEPT AS NOTED		
	MM .0 ± 0.25 ± .00 ± 0.2 ± 0.00 ± 0.10 ±		
	ANGLES ± 0.5		
THIRD ANGLE PROJECTION		TITLE SFP 2 BY 1 CAGE+CONNECTOR_P	
DFTD Jack		DRAWING NO. CSFP0-3040-L	SIZE REV
DATE 4/19/10		/PART NO. SFP0-3040-L	A3 3
SCALE : 2:1		DO NOT SCALE DRAWING	SHEET 1 OF 4



BEZEL CUT-OUT CENTER SPACING DETAIL  
BEZEL THICKNESS:0.8-2.6

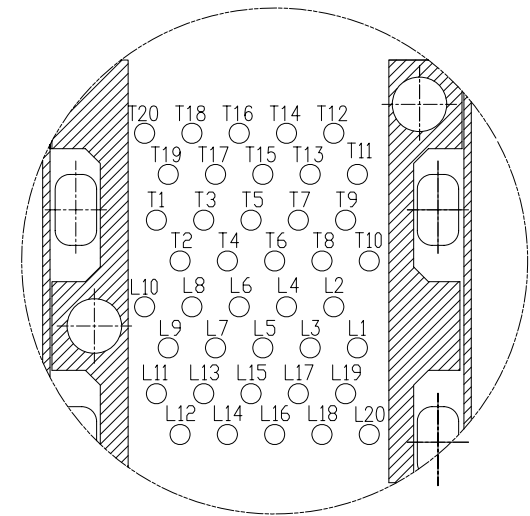
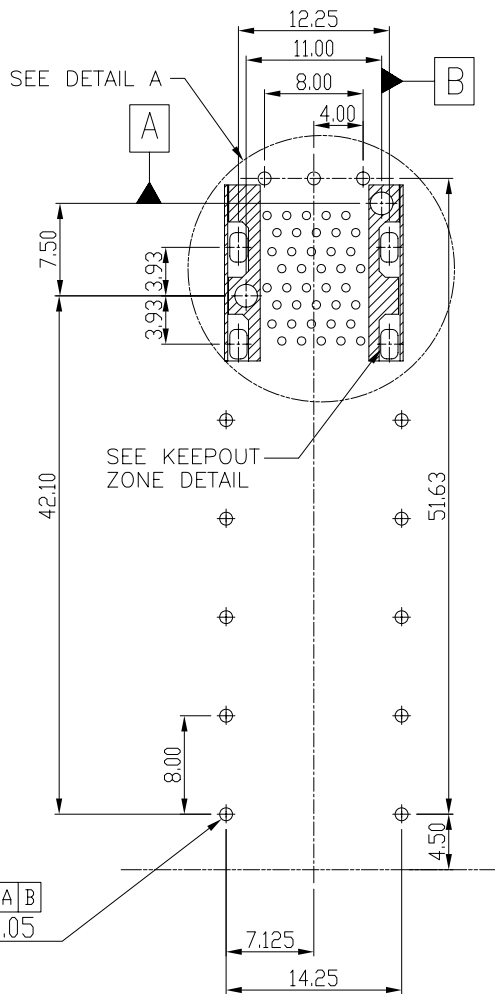
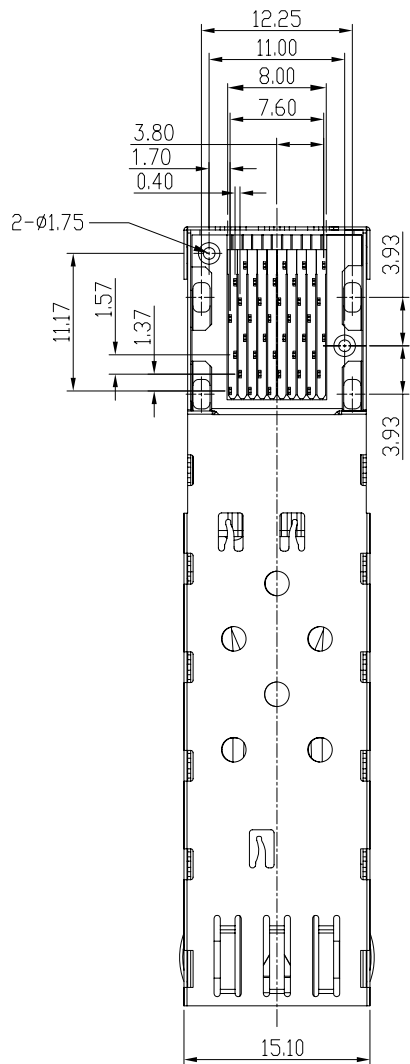


SECTION A-A

8 | 7 | 6 | 5 | 4 | 3 | 2 | 1

H  
G  
F  
E  
D  
C  
B  
A

DETACHED LISTS	MM ← INCHS →		<b>RoHS Compliant</b>			
	TOLERANCES EXCEPT AS NOTED					
	MM					
	.0 ± 0.25		±			
.00 ± 0.2		±				
.000 ± 0.10		±				
ANGLES ± 0.5						
		THIRD ANGLE PROJECTION				
DFTD Jack		DRAWING NO. CSFP0-3040-L		SIZE	REV	
DATE 4/19/10		/PART NO. SFP0-3040-L		A3	3	
SCALE : 2:1				DO NOT SCALE DRAWING		
				SHEET 2	OF 4	
TITLE				W/LIGHT PIPES		
SFP 2 BY 1 CAGE+CONNECTOR_P						



CONNECTOR PIN-OUT  
COMPONENT SIDE OF BOARD

$\phi \phi 1.05 \pm 0.05$  A B

MM (INCH)		<b>RoHS Compliant</b>			
TOLERANCES EXCEPT AS NOTED		TITLE <b>SFP 2 BY 1 CAGE+CONNECTOR_P</b>			
DETACHED LISTS		DATE 4/19/10		DRAWING NO. CSFP0-3040-L	
ANGLES $\pm 0.5$		SCALE : 2:1		DD NOT SCALE DRAWING	
THIRD ANGLE PROJECTION		DATE 4/19/10		/PART NO. SFPO-3040-L	
.0 $\pm 0.25$ $\pm$ .00 $\pm 0.2$ $\pm$ .000 $\pm 0.10$ $\pm$		SCALE : 2:1		SIZE REV A3 3	
SHEET 3 OF 4		DD NOT SCALE DRAWING		SHEET 3 OF 4	

