

Qty Per:	TRAY	CARTON		
	12	72		
PART NUMBER	STATEMENT			
SFP0-3030-L	INNER/OUTER LIGHT PIPES			
No.	DESCRIPTION	Q'ty	MATERIAL	PLATING
01	SFP CAGE (Non-Logo)	1	COPPER ALLOY	
02	CONNECTOR	2	HIGH TEMP/COPPER ALLOY	GOLD
03	LIGHT PIPES	2	POLYCARBONITE	

DETACHED LISTS	MM (INCH)	<b>RoHS Compliant</b>		
	TOLERANCES EXCEPT AS NOTED	TITLE		
	MM .0 ± 0.25 ± .00 ± 0.2 ± .000 ± 0.10 ±	ANGLES ± 0.5	SFP 2 BY 2 CAGE+CONNECTOR_P	
	THIRD ANGLE PROJECTION	DFTD Jack DATE 6/09/10'	DRAWING NO. CSFP0-3030-L /PART NO. SFP0-3030-L	SIZE A3
SCALE : 2:1		DO NOT SCALE DRAWING	SHEET 1	OF 4

8

7

6

5

4

3

2

1

H

G

F

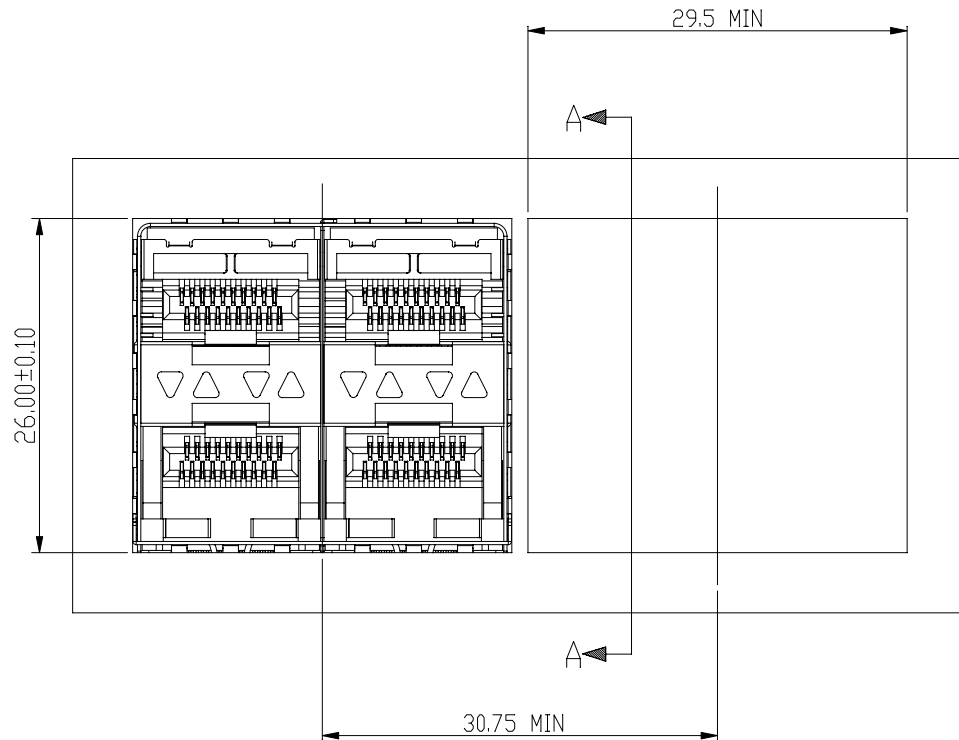
E

D

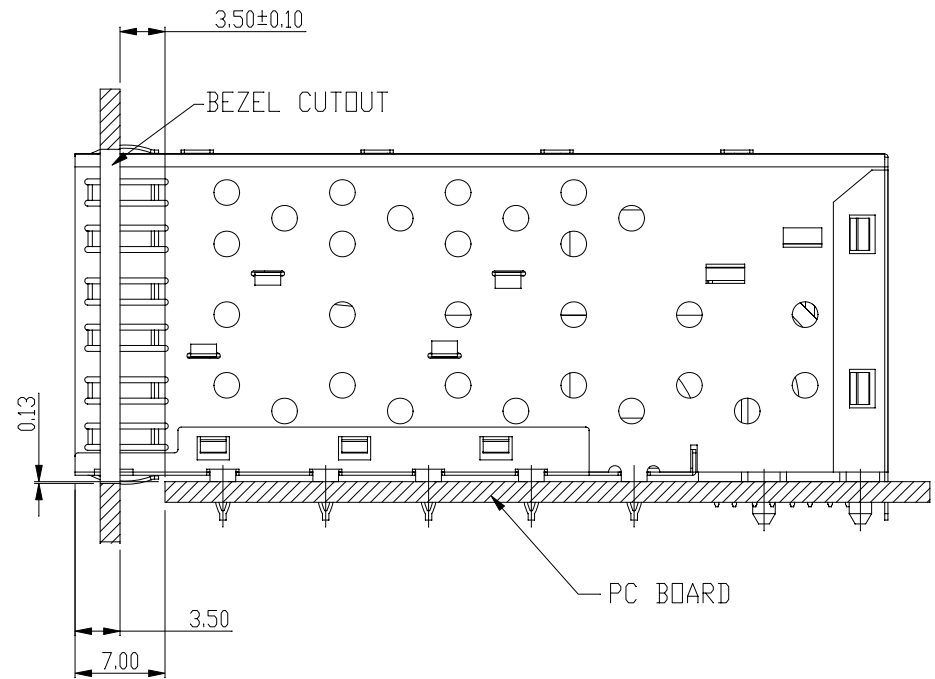
C

B

A



BEZEL CUT-OUT CENTER SPACING DETAIL  
BEZEL THICKNESS:0.8-2.6



SECTION A-A

8

7

6


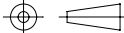
5

4

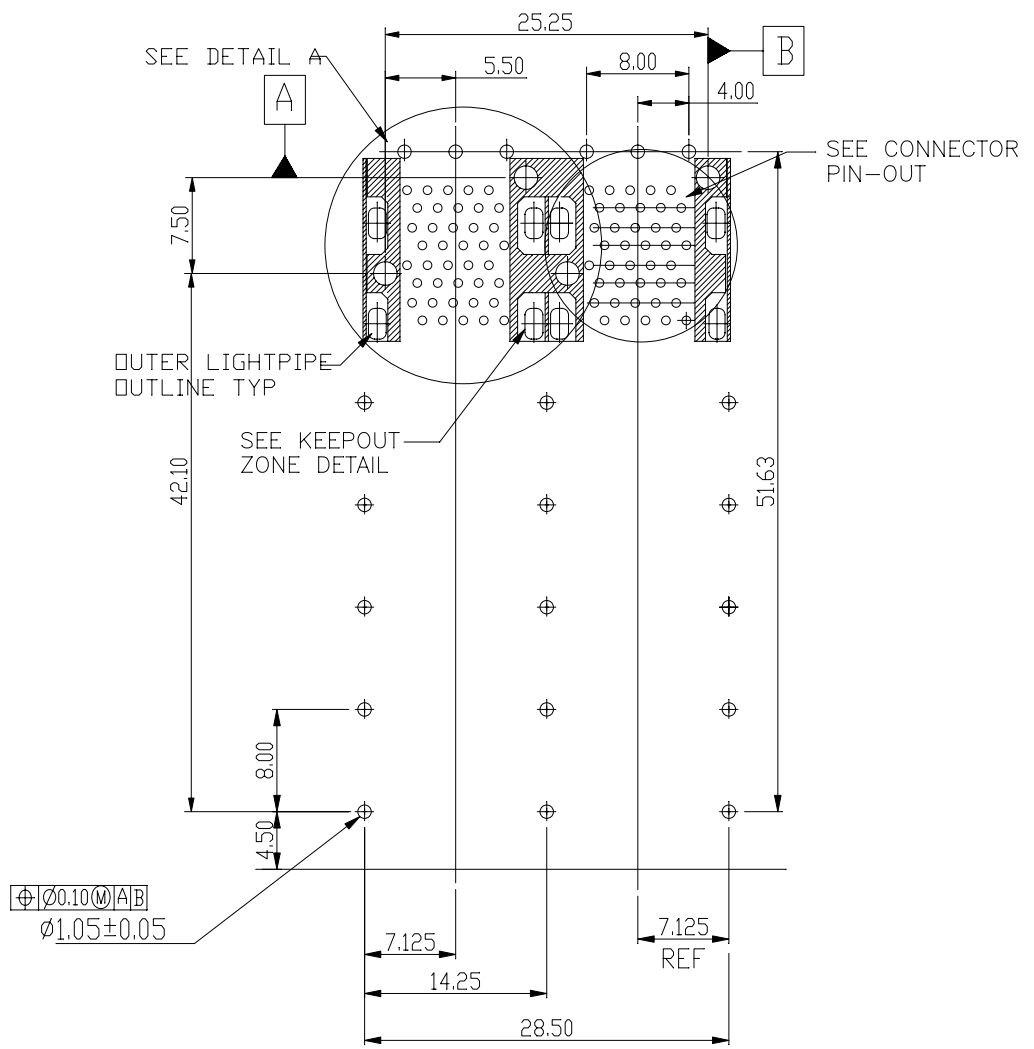
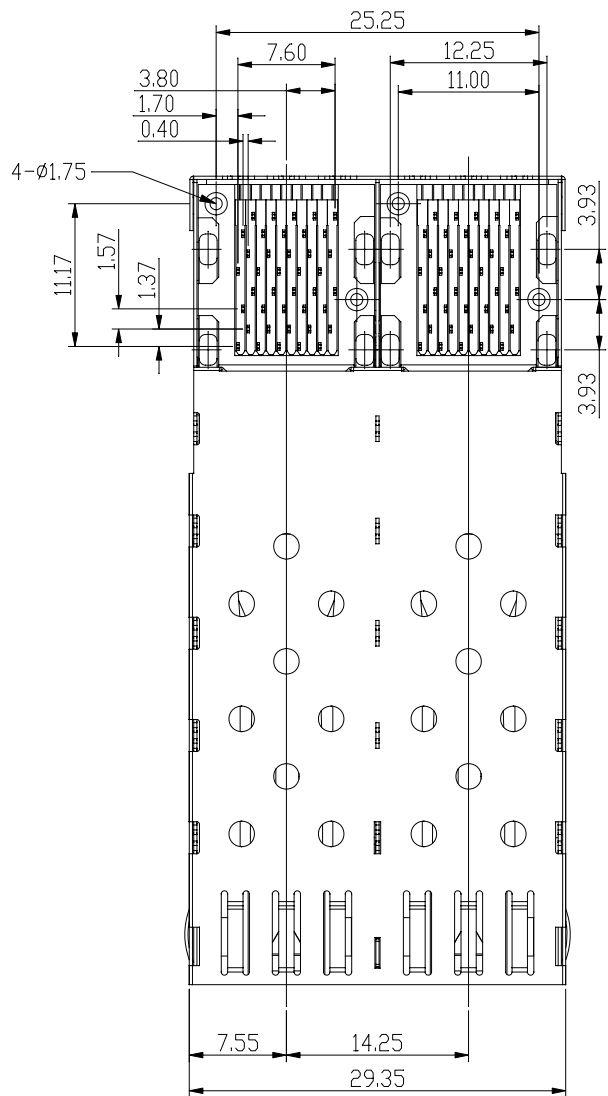
3

2

1

DETACHED LISTS	MM (INCH)		<b>RoHS Compliant</b>		 <b>Pulse</b> A TECHNITROL COMPANY		
	TOLERANCES EXCEPT AS NOTED						
	MM	±	TITLE SFP 2 BY 2 CAGE+CONNECTOR_P		W/LIGHT PIPES		
	.0 ± 0.25	±					
.00 ± 0.2	±						
.000 ± 0.10	±	DFTD Jack		DRAWING NO. CSFP0-3030-L		SIZE	REV
ANGLES ± 0.5						DATE 6/09/10'	
		SCALE : 2:1		DO NOT SCALE DRAWING			
THIRD ANGLE PROJECTION							

H  
G  
F  
E  
D  
C  
B  
A



8

7

6

5

4

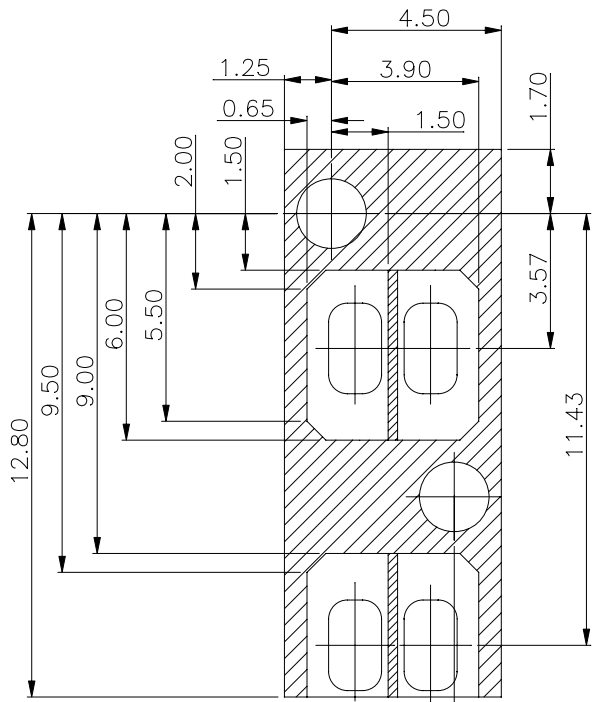
3

2

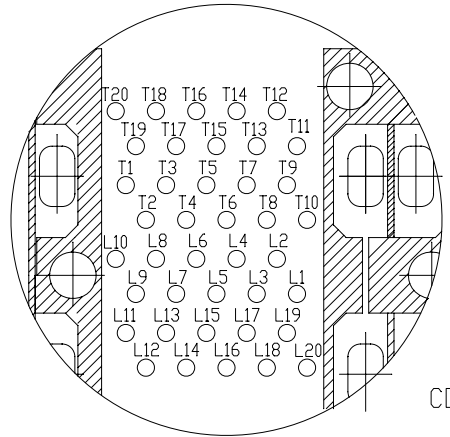
1

← MM (INCH) → TOLERANCES EXCEPT AS NOTED		<b>RoHS Compliant</b>			
DETACHED LISTS	MM	±	TITLE SFP 2 BY 2 CAGE+CONNECTOR_P W/LIGHT PIPES		
	.0 ± 0.25	±			
	.00 ± 0.2	±			
.000 ± 0.10	±	DFTO Jack DATE 6/09/10'			
ANGLES ± 0.5	±				DRAWING NO. CSFP0-3030-L /PART NO. SFPO-3030-L
 THIRD ANGLE PROJECTION		SCALE : 2:1		DO NOT SCALE DRAWING	SHEET 3 OF 4
		SIZE A3	REV 2		

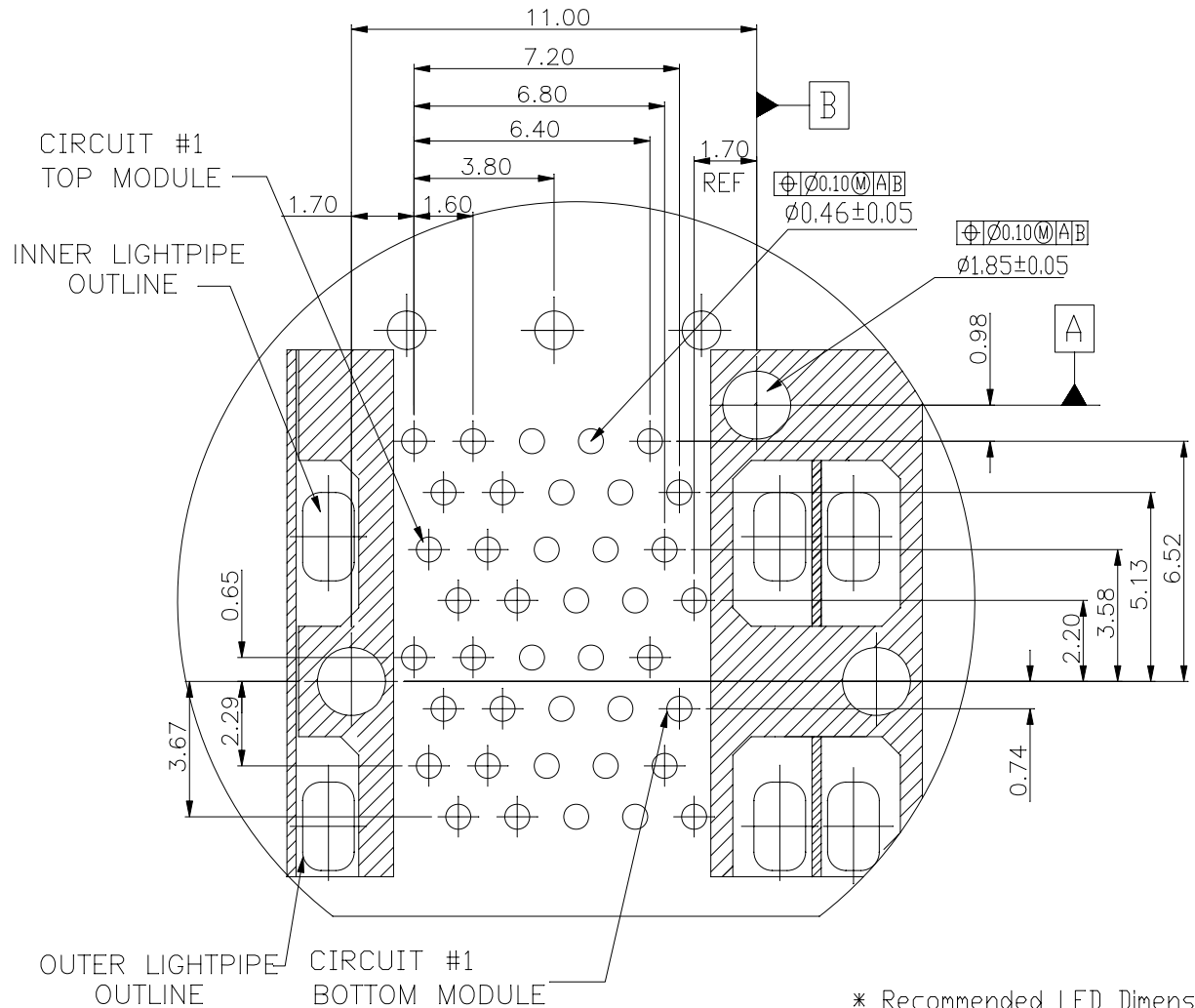
H  
G  
F  
E  
D  
C  
B  
A



KEEPOUT ZONE DETAIL  
SCALE 6:1



CONNECTOR PIN-OUT  
COMPONENT SIDE OF BOARD



DETAIL A  
SCALE 6:1

- \* Recommended LED Dimensions
- Dimensions(WxLxH):
- 0.5x1.0x0.5 mm
- 0.8x1.6x0.5 mm
- 1.25x2.0x0.8 mm
- 1.25x1.6x0.65 mm

DETACHED LISTS THIRD ANGLE PROJECTION	MM (INCH)	<b>RoHS Compliant</b>			
	TOLERANCES EXCEPT AS NOTED MM .0 ± 0.25 ± .00 ± 0.2 ± .000 ± 0.10 ±	<b>TITLE</b> SFP 2 BY 2 CAGE+CONNECTOR_P	<b>W/LIGHT PIPES</b>		
	ANGLES ± 0.5	DFTD Jack DATE 6/09/10'	DRAWING NO. CSFP0-3030-L /PART NO. SFP0-3030-L	SIZE A3	REV 2
	SCALE : 2:1	DO NOT SCALE DRAWING	SHEET 4	OF 4	