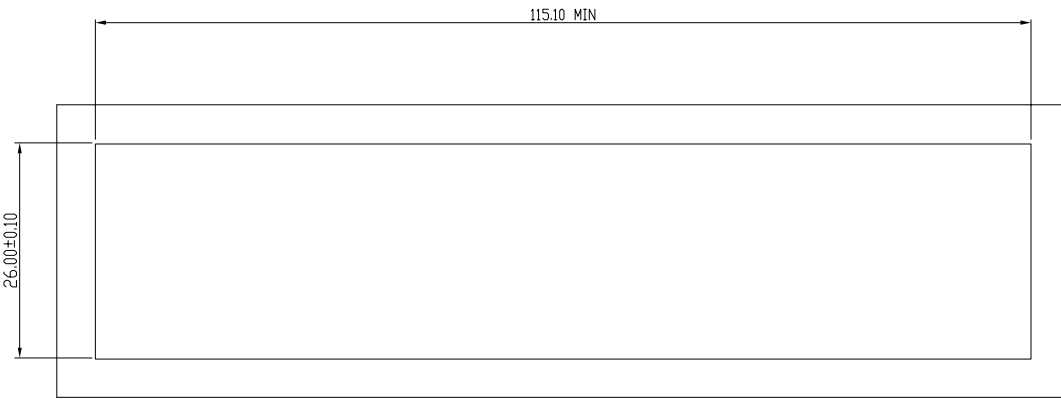


1. FULL RADIUS TYP. ON END OF PINS TO ASSIST ENTRY INTO PCB HOLES.
2. FREE OF BURRS AND OVERHANGS.

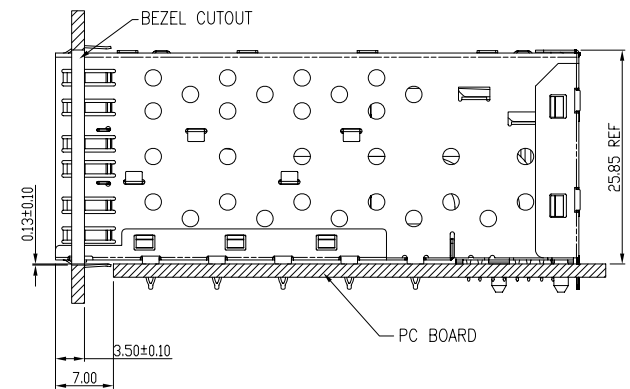
Qty Per:	TRAY	CARTON		
	3	18		
PART NUMBER	STATEMENT			
SFP0-3000-L	INNER/OUTER LIGHT PIPES			
	INNER LIGHT PIPES			
	OUTER LIGHT PIPES			
No.	DESCRIPTION	Q'ty	MATERIAL	PLATING
01	SFP CAGE (Non-Logo)	1	COPPER ALLOY	
02	CONNECTOR	8	HIGH TEMP/COPPER ALLOY	GOLD
03	LIGHT PIPES	8	POLYCARBONITE	

DETACHED LISTS	MM (INCH)	RoHS Compliant		Pulse A TECHNITROL COMPANY	
	TOLERANCES EXCEPT AS NOTED	TITLE			
	MM	W/LIGHT PIPES			
	.0 ± 0.25 ± .00 ± 0.20 ± .000 ± 0.10 ±	SFP 2 by 8 CAGE+CONNECTOR_P			
ANGLES ± 0.5	DFTD Jack	DRAWING NO. CSFP0-3000-L	SIZE	REV	
THIRD ANGLE PROJECTION	DATE 1/05/2010	/PART NO. SFP0-3000-L	A3	0	
	SCALE : 1	DO NOT SCALE DRAWING	SHEET 1	OF 4	

8 | 7 | 6 | 5 | 4 | 3 | 2 | 1



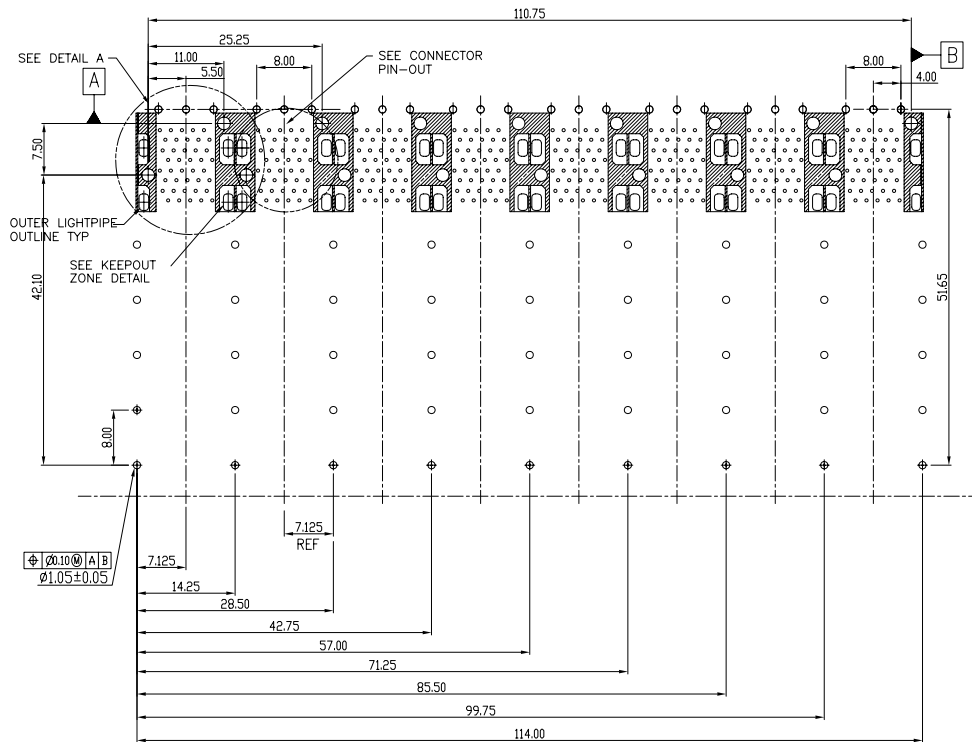
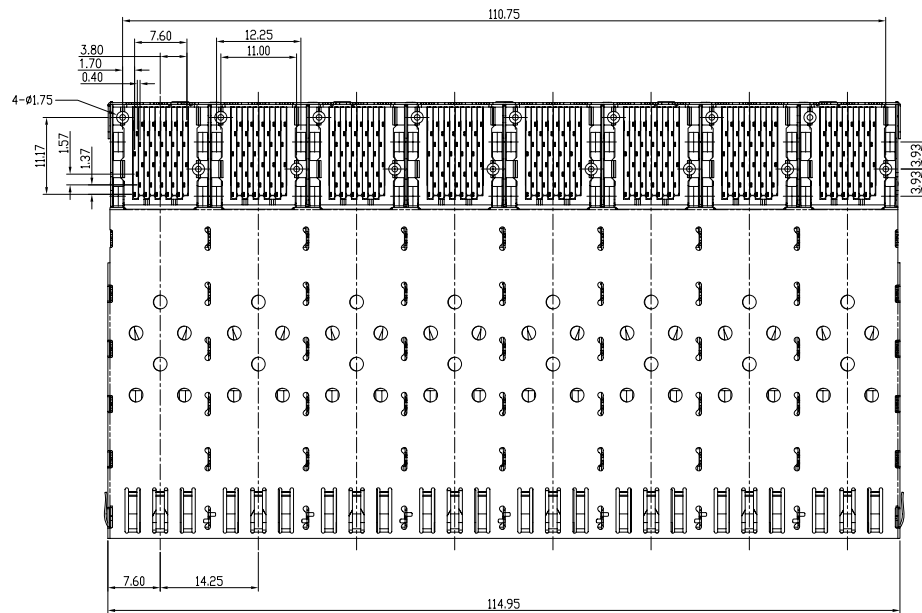
BEZEL CUT-OUT CENTER SPACING DETAIL
BEZEL THICKNESS:0.8-2.6



8 | 7 | 6 | 5 | 4 | 3 | 2 | 1

H
G
F
E
D
C
B
A

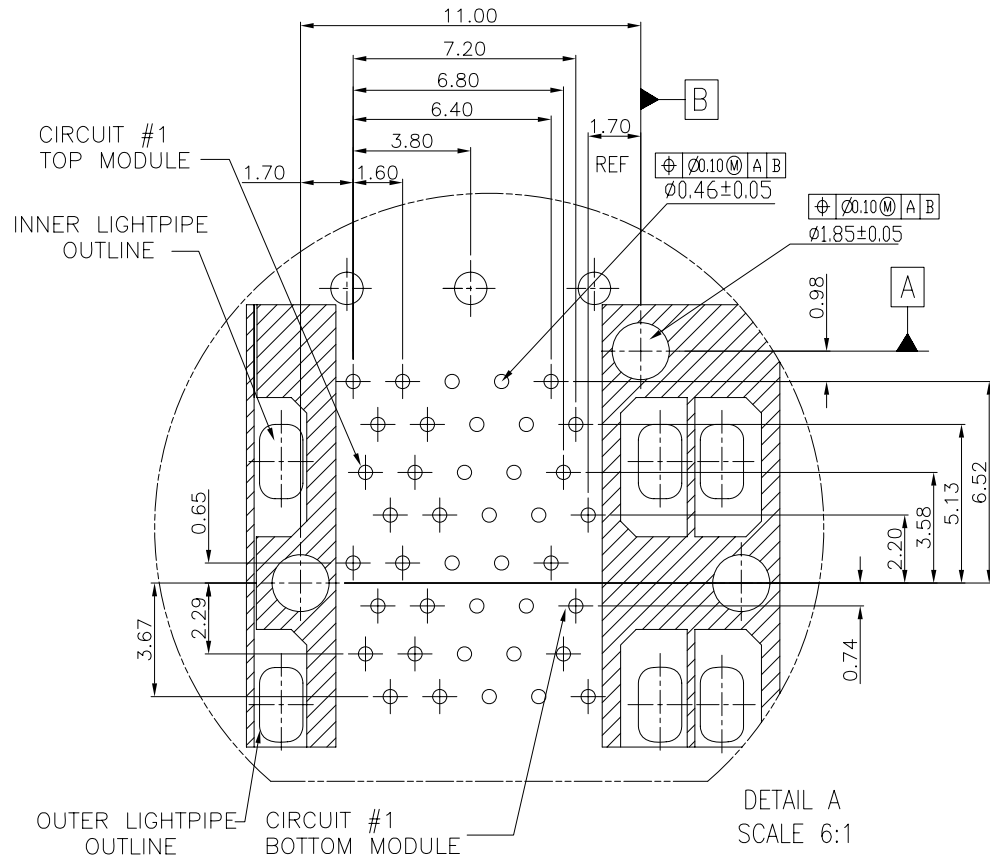
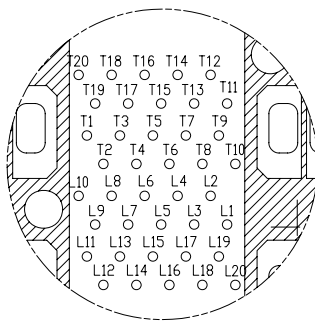
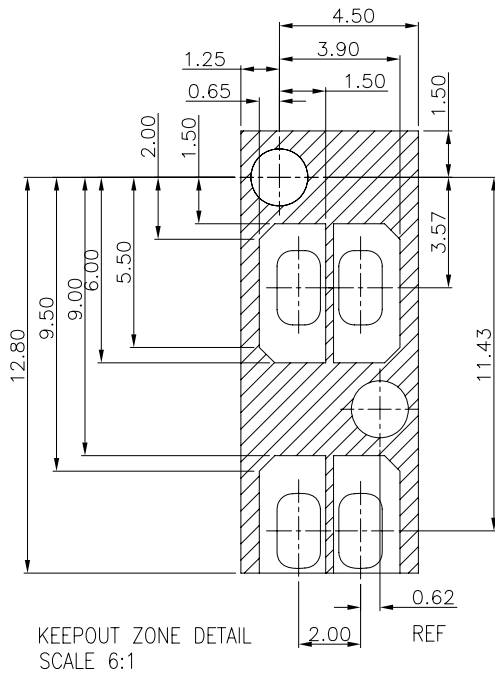
DETACHED LISTS	MM (INCH)		RoHS Compliant			
	TOLERANCES EXCEPT AS NOTED		TITLE SFP 2 by 8 CAGE+CONNECTOR_P W/LIGHT PIPES			
	MM					
	.0 ± 0.25	±				
.00 ± 0.20	±	DRAWING NO. CSFP0-3000-L		SIZE	REV	
.000 ± 0.10	±	DATE 1/05/2010		A3	0	
ANGLES ± 0.5		SCALE : 2:1		DO NOT SCALE DRAWING		
 THIRD ANGLE PROJECTION		DRAWING NO. CSFP0-3000-L		SHEET 2 OF 4		
		DATE 1/05/2010		/PART NO. SFP0-3000-L		



8 | 7 | 6 | 5 | 4 | 3 | 2 | 1

H
G
F
E
D
C
B
A

← MM (INCH) → TOLERANCES EXCEPT AS NOTED		RoHS Compliant			
MM .0 ± 0.25 ± .00 ± 0.20 ± .000 ± 0.10 ±		ANGLES ± 0.5		TITLE W/LIGHT PIPES SFP 2 by 8 CAGE+CONNECTOR_P	
DFTD Jack DATE 1/05/2010		DRAWING NO. CSFP0-3000-L /PART NO. SFP0-3000-L		SIZE A3	REV 0
THIRD ANGLE PROJECTION		SCALE : 2:1		DO NOT SCALE DRAWING	
				SHEET 3	OF 4



MM (INCH)		RoHS Compliant			
TOLERANCES EXCEPT AS NOTED					
DETACHED LISTS	MM	±			
	.0 ± 0.25	±			
	.00 ± 0.20	±			
	.000 ± 0.10	±			
ANGLES ± 0.5					
 THIRD ANGLE PROJECTION		TITLE SFP 2 by 8 CAGE+CONNECTOR_P W/LIGHT PIPES		RoHS Compliant	
DFTD Jack DATE 1/05/2010 SCALE : 2:1		DRAWING NO. CSFP0-3000-L /PART NO. SFPO-3000-L		SIZE A3	REV 0
DO NOT SCALE DRAWING				SHEET 4	OF 4