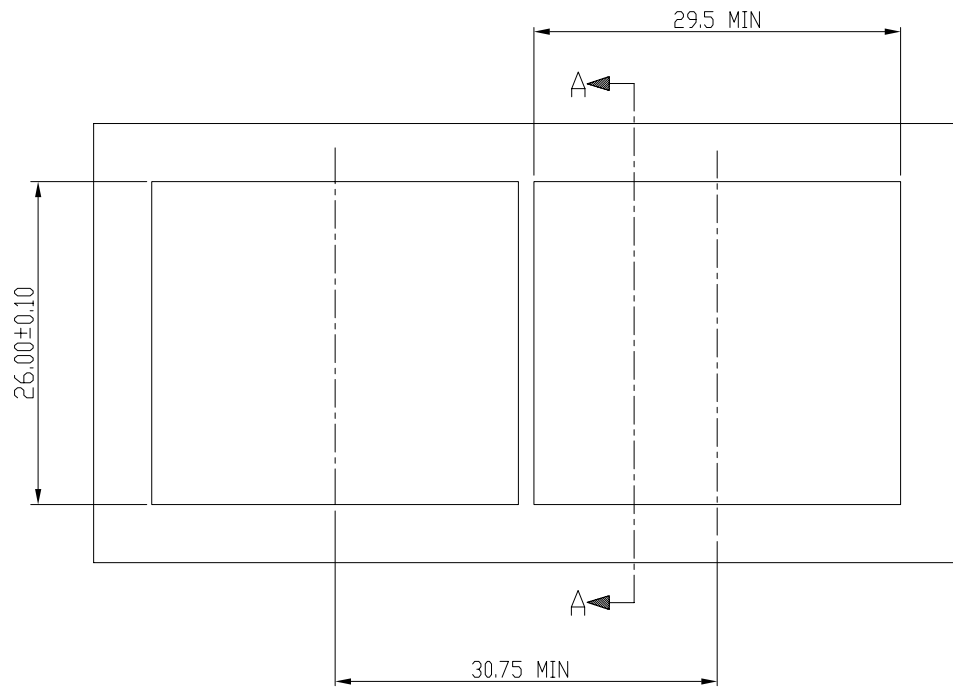
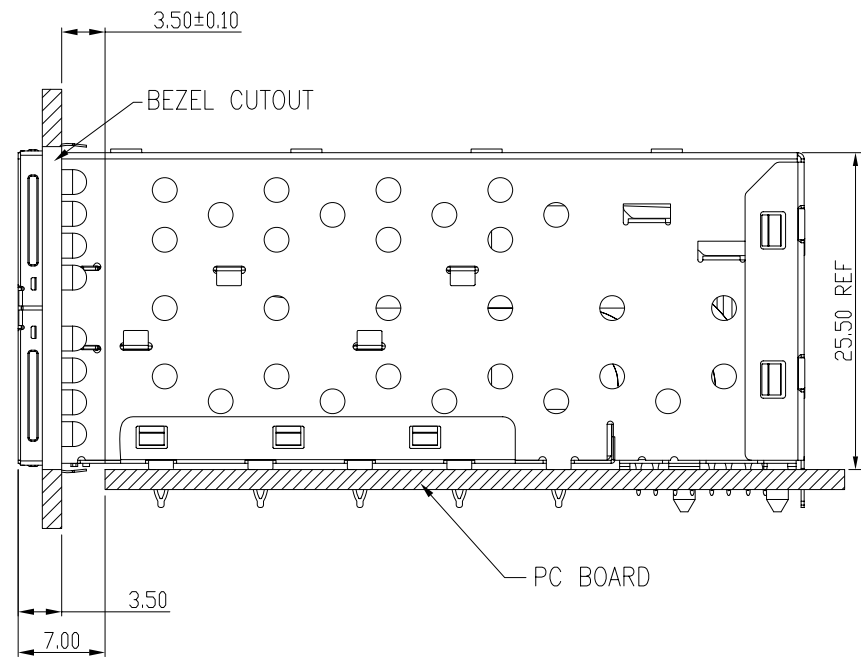


Qty Per:	TRAY	CARTON		
	12	72		
PART NUMBER	STATEMENT			
SFPP-3130-L	INNER/OUTER LIGHT PIPES			
No.	DESCRIPTION	Q'ty	MATERIAL	PLATING
01	SFP CAGE (Non-Logo)	1	ECOTRIO	
02	CONNECTOR	2	HIGH TEMP/COPPER ALLOY	GOLD
03	LIGHT PIPES	2	POLYCARBONITE	
04	EMI TAB	2	ECOTRIO	

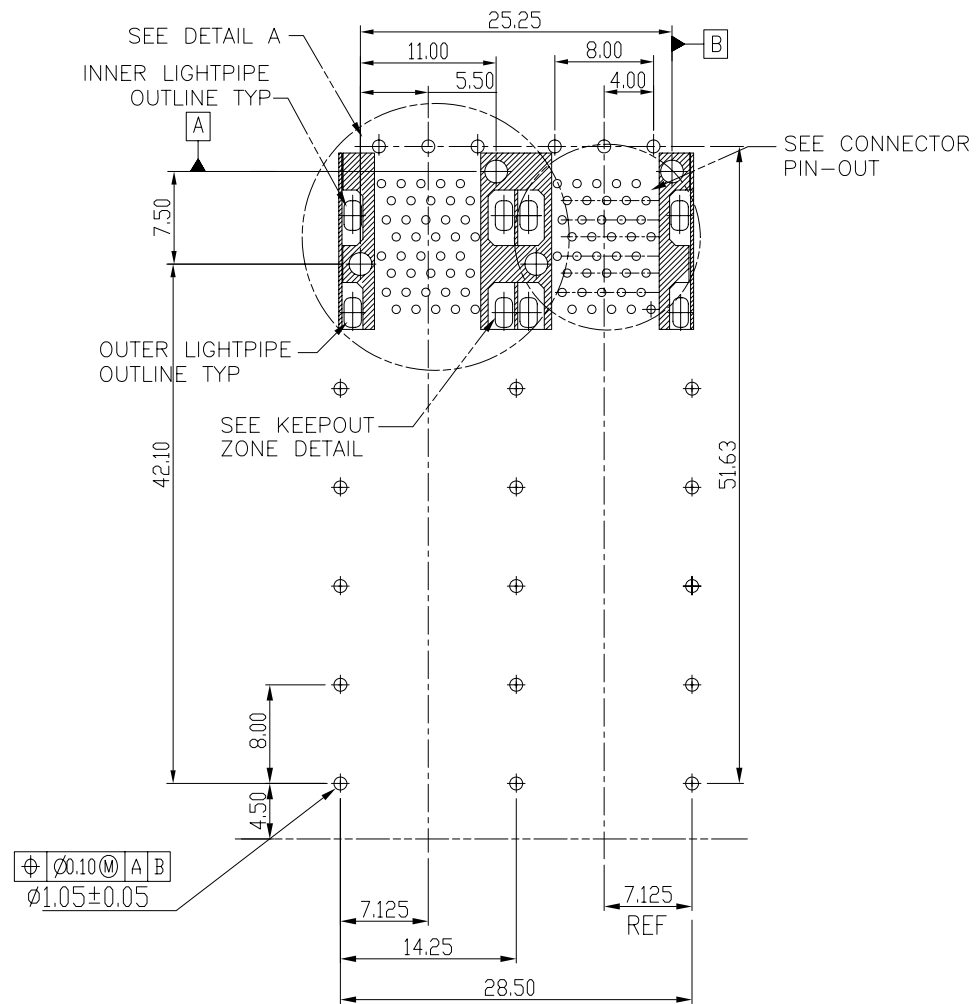
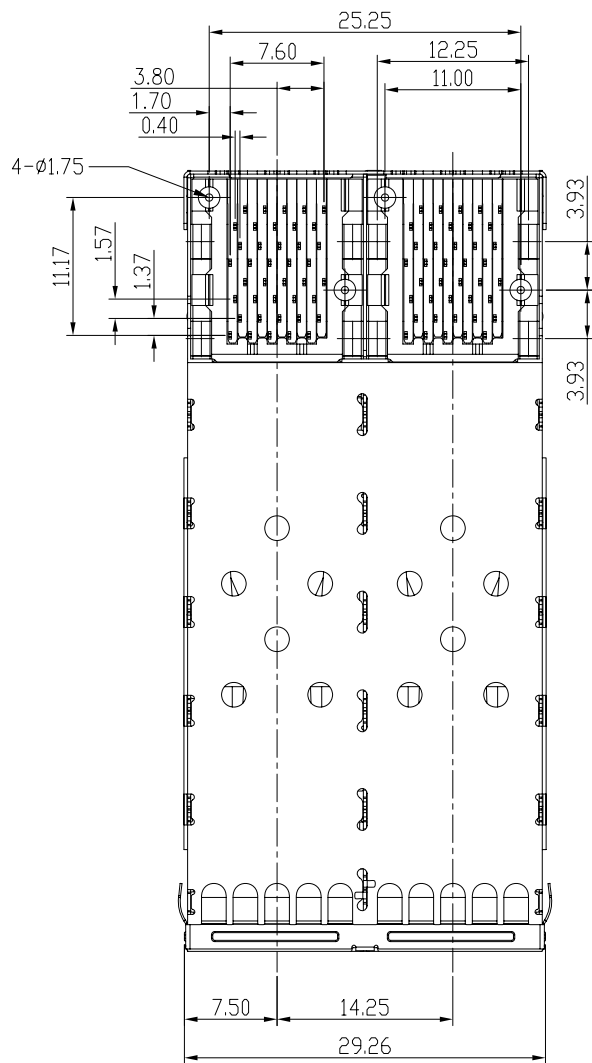
DETACHED LISTS	MM (INCH)	<b>RoHS Compliant</b>			
	TOLERANCES EXCEPT AS NOTED				
	MM	TITLE			
	.0 ± 0.25 ± .00 ± 0.2 ± .000 ± 0.10 ±	W/LIGHT PIPES&EMI TAB			
ANGLES ± 0.5	SFP PLUS 2 BY 2 CAGE+CONNECTOR_P		DFTD Jack	DRAWING NO. CSFPP-3130-L	SIZE
	SCALE : 2:1		DATE 11/18/08'	/PART NO. SFPP-3130-L	A3
THIRD ANGLE PROJECTION	DO NOT SCALE DRAWING		SHEET 1 OF 4		REV 0



BEZEL CUT-OUT CENTER SPACING DETAIL  
 BEZEL THICKNESS:0.8-2.6

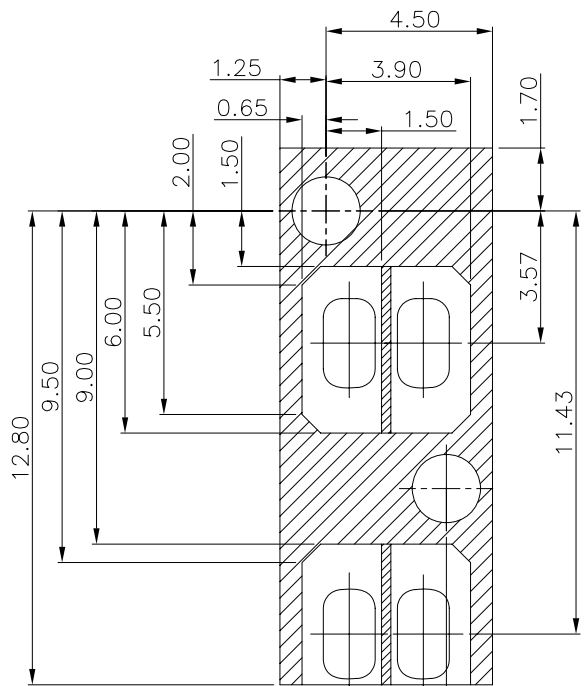


DETACHED LISTS	$\longleftrightarrow$ MM $\longleftrightarrow$ (INCH)	<b>RoHS Compliant</b>				
	TOLERANCES EXCEPT AS NOTED		TITLE <span style="float: right;">W/LIGHT PIPES&amp;EMI TAB</span> SFP 2 BY 2 CAGE+CONNECTOR_P			
	MM					
	.0 ± 0.25	±				
.00 ± 0.2	±	DFTD Jack		DRAWING NO. CSFPP-3130-L	SIZE	
.000 ± 0.10	±	DATE 11/18/08'		/PART NO. SFPP-3130-L	A3	
ANGLES ± 0.5		SCALE : 2:1		DO NOT SCALE DRAWING	REV	
 THIRD ANGLE PROJECTION		SHEET 2		OF 4		

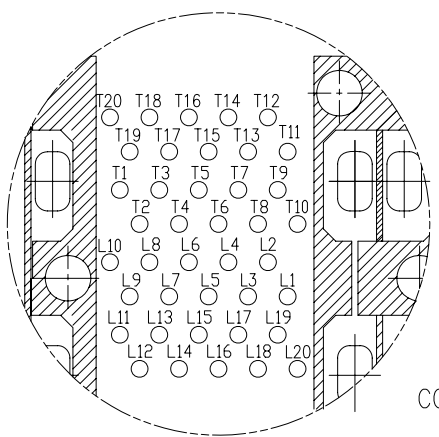


⊕ Ø0.10 (M) A B  
 Ø1.05±0.05

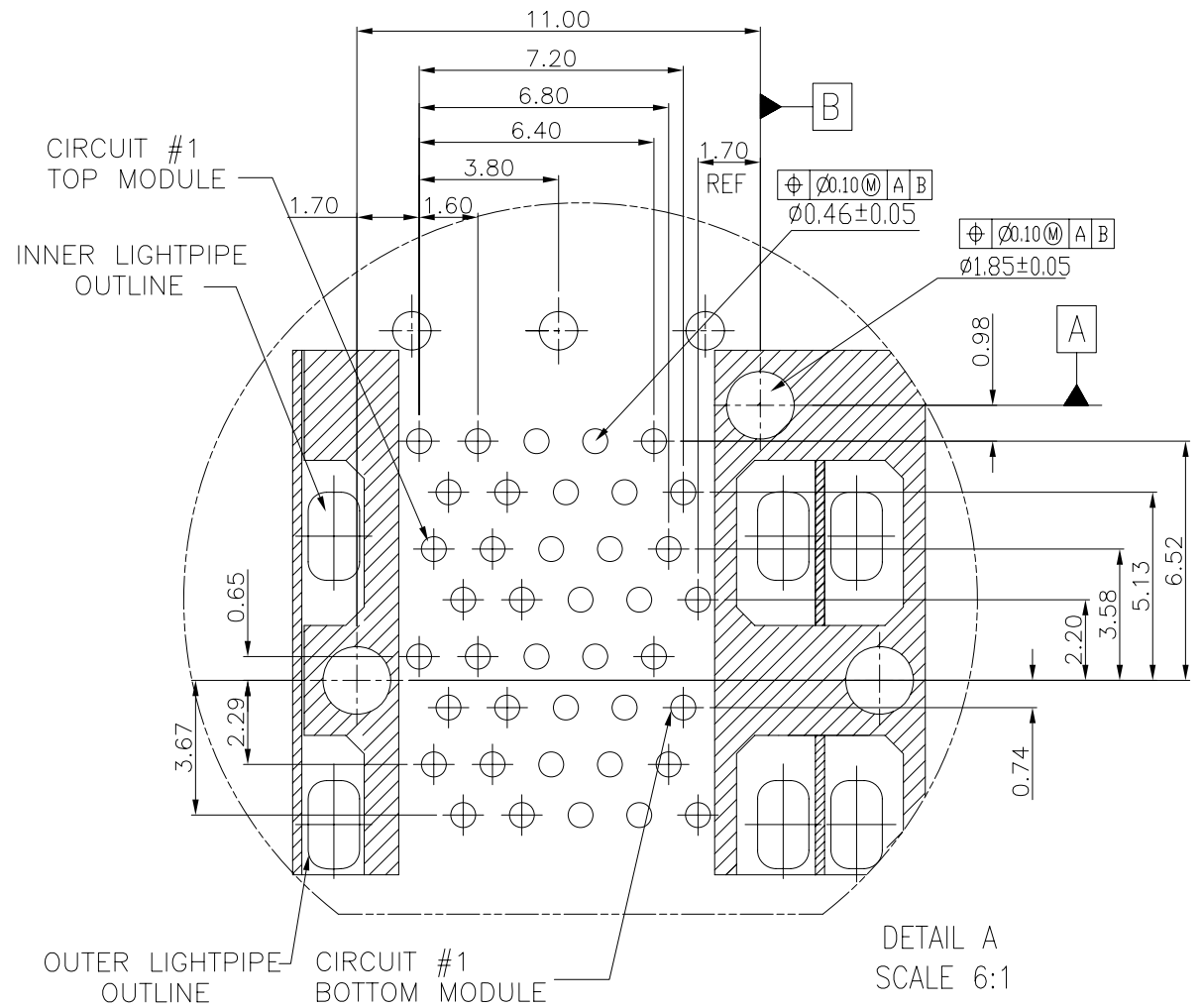
MM (INCH)		<b>RoHS Compliant</b>			
TOLERANCES EXCEPT AS NOTED		TITLE W/LIGHT PIPES&EMI TAB			
MM .0 ± 0.25 ± .00 ± 0.2 ± .000 ± 0.10 ±		SFP 2 BY 2 CAGE+CONNECTOR_P			
ANGLES ± 0.5		DFTD Jack DATE 11/18/08		DRAWING NO. CSFPP-3130-L /PART NO. SFPP-3130-L	
 THIRD ANGLE PROJECTION		SCALE : 2:1		SIZE REV A3 0	
DO NOT SCALE DRAWING				SHEET 3 OF 4	



KEEPOUT ZONE DETAIL  
SCALE 6:1



CONNECTOR PIN-OUT  
COMPONENT SIDE OF BOARD



DETAIL A  
SCALE 6:1

← MM (INCH) → TOLERANCES EXCEPT AS NOTED MM .0 ± 0.25 ± .00 ± 0.2 ± .000 ± 0.10 ± ANGLES ± 0.5 THIRD ANGLE PROJECTION		<b>RoHS Compliant</b>		
DETACHED LISTS		TITLE SFP 2 BY 2 CAGE+CONNECTOR_P W/LIGHT PIPES&EMI TAB		
DFTD Jack DATE 11/18/08		DRAWING NO. CSFPP-3130-L /PART NO. SFPP-3130-L		SIZE A3
SCALE : 2:1		DO NOT SCALE DRAWING		REV 0
		SHEET 4 OF 4		