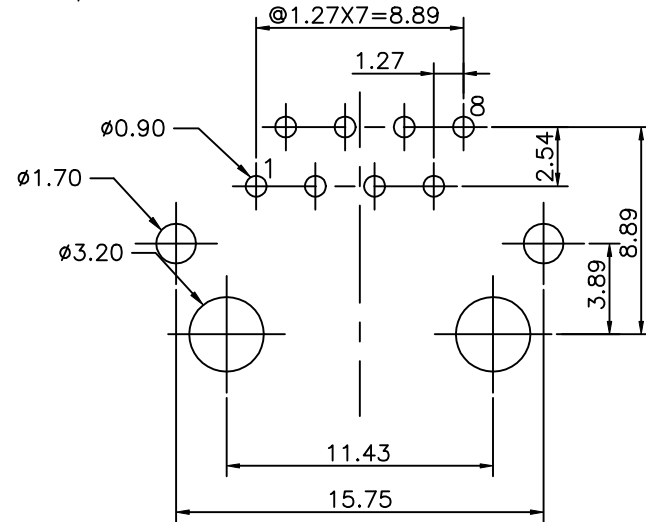
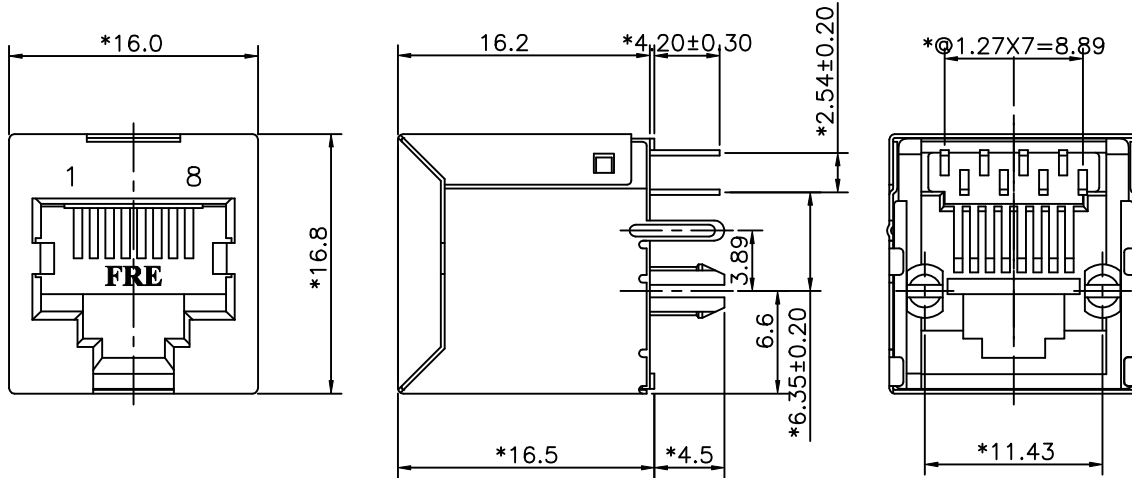


| REVISION RECORD | | | | |
|-----------------|-----|-------------|------|------|
| REV | ECO | DESCRIPTION | DRFT | CHKD |
| | | | | |



NOTES:

ELECTRICAL:

1. VOLTAGE RATING : 125 VAC RMS.
2. CURRENT RATING : 1.5 AMP.
3. CONTACT RESISTANCE : 30 MILLIOHMS MAX.
4. INSULATION RESISTANCE: 1000 MEGOHMS MIN @ 500 VDC.
5. DIELECTRIC STRENGTH : 1000 VAC RMS 60Hz, 1MIN.

MECHANICAL:

1. HOUSING MATERIAL : NYLON+30%.G.F(FR52)UL94V-0.
2. CONTACT MATERIAL : PHOSPHOR BRONZE t=0.35mm.
3. PLATING : GOLD PLATING OVER NICKEL.
4. OPERATING LIFE : 750 CYCLES MIN.
5. PCB RETENTION PRE-SOLDER : 1 LB MIN.
6. PCB RETENTION POST-SOLDER: 10 LBS MIN.

ENVIRONMENTAL:

1. STORAGE : -40°C TO +85°C.
2. OPERATION: -40°C TO +85°C.
3. WAVE SOLDER TEMPERATURE: 255°C TO 265°C 5~10 SECOND.

MATES WITH MODULAR PLUG CONFORMING TO FCC PART 68, SUBPART F.

CUL FILE NO. E163191

PART NUMBER: E5288-XX0B4X-L

- 3-W/ "FRE"LOGO
R-W/O "FRE"LOGO
- SHIELD PLATING:
F- TIN PLATING
G-TINNED GROUND PEGS
- GOLD PLATING:
1- 3u" 2- 6u"
3-15u" 4-30u"
5-50u"

| | | | | | |
|----------------------------|--|--------------|----------------|---|-----|
| ← MM (INCH) → | | DFTO ANKUE | DATE 4/21/05 | FULL RISE ELECTRONIC CO., LTD | |
| TOLERANCES EXCEPT AS NOTED | | CHKDSAMMY | DATE 2005/4/22 | TITLE | |
| | | MFO | DATE | RJ45 TOP ENTRY PCB MODULAR JACK(DIP TYPE) | |
| | | APPVILISHENG | DATE 2005/4/23 | DRAWING NO. GE523003-LA | |
| | | MATERIAL : | | SIZE | REV |
| | | QTY : | | A3 | 0 |
| | | FINISH : | | /PART NO. SEE NOTE | |
| THIRD ANGLE PROJECTION | | SCALE : 3:1 | | DO NOT SCALE DRAWING | |
| | | SHEET | | 1 OF 1 | |