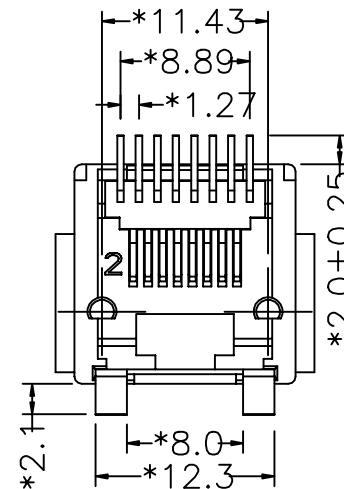
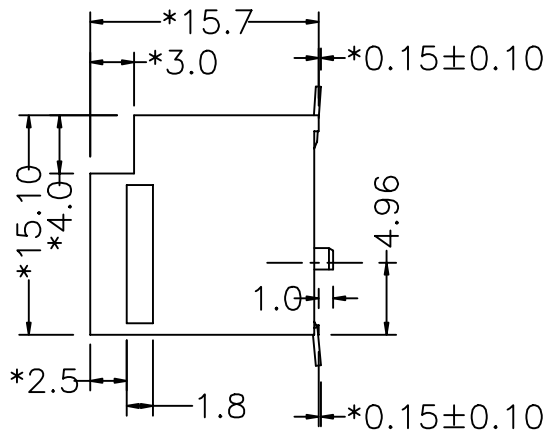
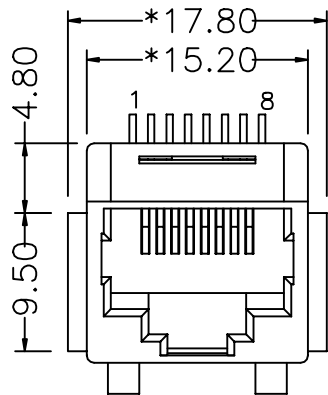


A1RFRD10

REVISION RECORD				
REV	ECO	DESCRIPTION	DRFT	CHKD



NOTES:

ELECTRICAL:

- VOLTAGE RATING : 150 VAC RMS.
- CURRENT RATING : 1.5 AMP.
- CONTACT RESISTANCE : 30 MILLIOHMS MAX.
- INSULATION RESISTANCE: 1000 MEGOHMS MIN @ 500 VDC.
- DIELECTRIC STRENGTH : 1000 VAC RMS 60Hz, 1MIN.

MECHANICAL:

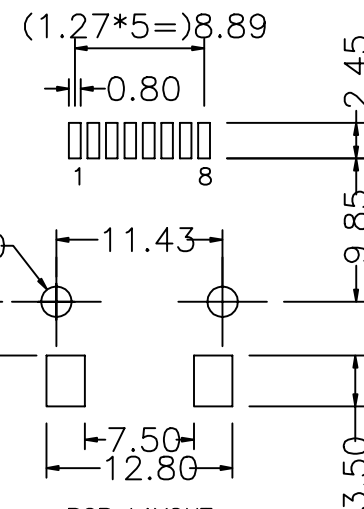
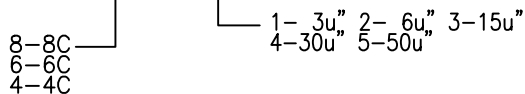
- HOUSING MATERIAL : NYLON+GF30% UL94V-0.
- HOUSING COLOR : BLACK
- CONTACT MATERIAL : PHOSPHOR BRONZE T=0.35mm.
- PLATING : GOLD PLATING OVER NICKEL
- OPERATING LIFE : 750 CYCLES MIN.
- PCB RETENTION PRE-SOLDER : 1 LB MIN.
- PCB RETENTION POST-SOLDER: 10 LBS MIN.

ENVIRONMENTAL:

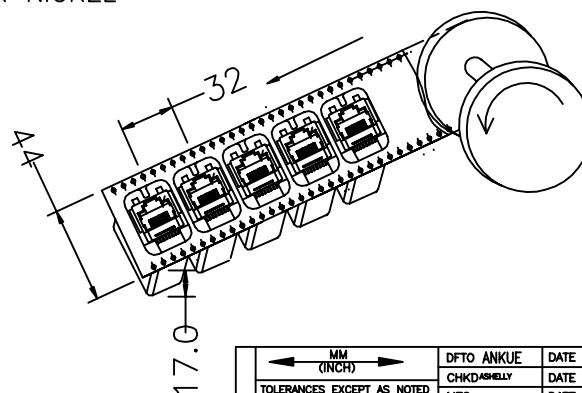
- STORAGE : -40°C TO +85°C.
- OPERATION : -40°C TO +85°C.
- IR REFLOW PEAK SOLDERING TEMPERATURE : 255~265°C 5~10 SECONDS
- RoHS COMPLIANT.

MATES WITH MODULAR PLUG CONFORMING TO FCC PART 68, SUBPART F.

RoHS PART NUMBER: E528X-7007SX-L



PCB LAYOUT COMPONENT SIDE SHOWN



MM (INCH)		DFTO ANKUE	DATE 06/28/06*
TOLERANCES EXCEPT AS NOTED		CHKD/ASSEMBLY	DATE 2006/8/28
		MFO	DATE
		APPVL LUSHENG	DATE 2006/8/28
DETACHED LISTS		MATERIAL :	
ANGLES ± 0.5		QT'Y :	
THIRD ANGLE PROJECTION		FINISH :	
		SCALE : 1:1	

	RoHS Compliant
FULL RISE ELECTRONIC CO., LTD	
TITLE	
TOP ENTRY PCB JACK 8P SMT	
DRAWING NO. GE523A32-LA	SIZE REV
/PART NO. SEE NOTE	A3 0
DO NOT SCALE DRAWING	SHEET 1 OF 1