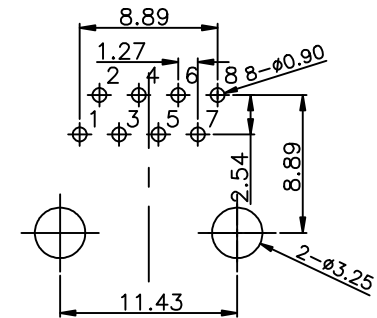
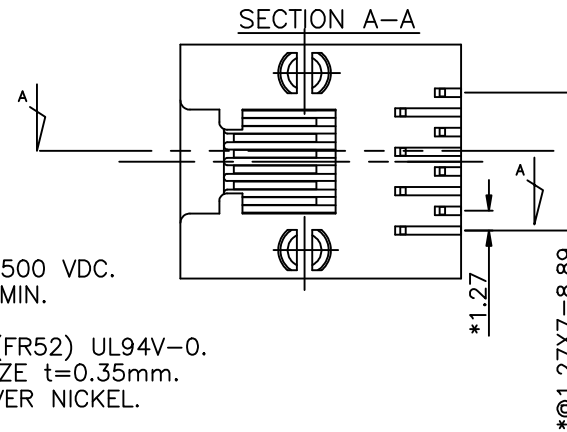
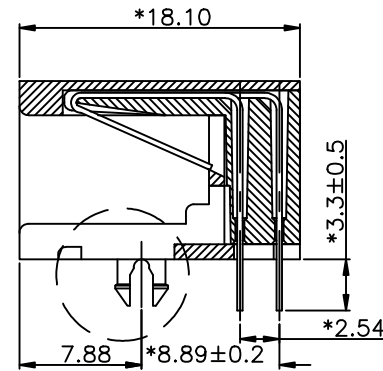
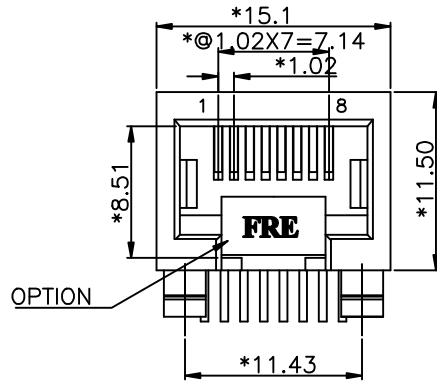


A1RFRD10

REVISION RECORD				
REV	ECO	DESCRIPTION	DRFT	CHKD
1		ADD P/N.	CKD 07/15/05	



PCB T=1.60mm
PC BOARD LAYOUT COMPONENT SIDE SHOWN

NOTES:

ELECTRICAL:

1. VOLTAGE RATING : 125 VAC RMS.
2. CURRENT RATING : 1.5 AMP.
3. CONTACT RESISTANCE : 35 MILLIOHMS MAX.
4. INSULATION RESISTANCE: 1000 MEGOHMS MIN @ 500 VDC.
5. DIELECTRIC STRENGTH : 1000 VAC RMS 60Hz, 1MIN.

MECHANICAL:

1. HOUSING MATERIAL : NYLON+30%G.F. (FR52) UL94V-0.
2. CONTACT MATERIAL : PHOSPHOR BRONZE t=0.35mm.
3. PLATING : GOLD PLATING OVER NICKEL.
4. OPERATING LIFE : 750 CYCLES MIN.
5. PCB RETENTION PRE-SOLDER : 1 LB MIN.
6. PCB RETENTION POST-SOLDER: 10 LBS MIN.

ENVIRONMENTAL:

1. STORAGE : -40°C TO +85°C.
2. OPERATION: -40°C TO +85°C.
3. WAVE SOLDER TEMPERATURE: 2550°C TO 265°C 5~10SECOND.

MATES WITH MODULAR PLUG CONFORMING TO
FCC PART 68, SUBPART F.

CUL FILE NO. E163191

PART NUMBER: E538X-E005XX-L

NO OF CONTACT: ↓

- 2- 2C
- 4- 4C
- 6- 6C
- 8- 8C

- 1- 3u" 2- 6u"
- 3-15u" 4-30u"
- 5-50u" 6-Pd 20u"
- 1- W/O Key
- 7- Deep W/O Key

DETACHED LISTS	← MM (INCH) →		DFTO sammy	DATE 06/16/05	FULL RISE ELECTRONIC CO., LTD		
	TOLERANCES EXCEPT AS NOTED		CHKD	DATE			
	MM	±	MFO	DATE	TITLE 11.5 SIDE ENTRY 8P FCC DEEP TYPE		
	.0 ±0.20	±	APPVL	XLF DATE 07/16/05'			
	.00 ±0.15	±	MATERIAL :		DRAWING NO. GE533A01-LA		SIZE
.000 ±0.075	±	ANGLES ±		/PART NO. SEE NOTE		A3	1
THIRD ANGLE PROJECTION		FINISH :		DO NOT SCALE DRAWING		SHEET X OF Y	
		SCALE :					