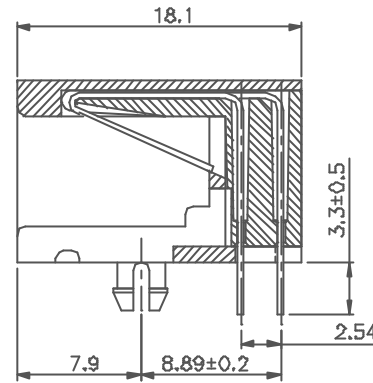
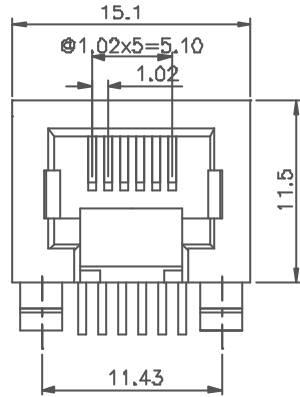
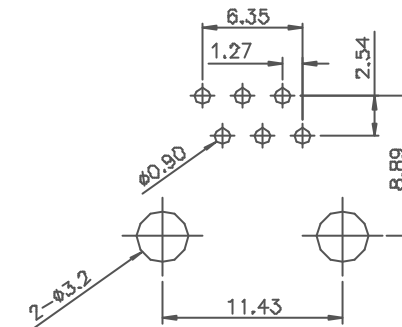
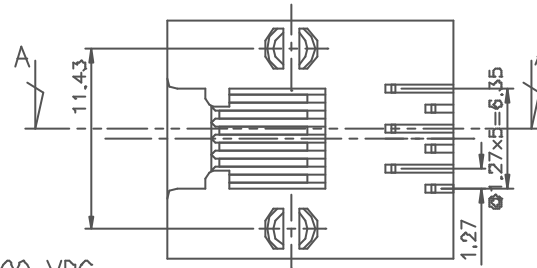


REVISION RECORD				
REV	ECO	DESCRIPTION	DRFT	DHGD



SECTION A-A



PC BOARD LAYOUT COMPONENT SIDE SHOWN

**NOTES:**

ELECTRICAL:

- VOLTAGE RATING : 125 VAC RMS.
- CURRENT RATING : 1.5 AMP.
- CONTACT RESISTANCE : 35 MILLIOHMS MAX.
- INSULATION RESISTANCE: 1000 MEGOHMS MIN @ 500 VDC.
- DIELECTRIC STRENGTH : 1000 VAC RMS 60Hz, 1MIN.

MECHANICAL:

- HOUSING MATERIAL : GLASS FILLED POLYESTER UL94V-0.
- CONTACT MATERIAL : PHOSPHOR BRONZE t=0.35mm.
- PLATING : 1: CONTACT AREA- SELECTIVE GOLD PLATING.  
2: TAILS- 150u" TIN-LEAD MIN OVER 50u" NICKEL.
- OPERATING LIFE : 750 CYCLES MIN.
- PCB RETENTION PRE-SOLDER : 1 LB MIN.
- PCB RETENTION POST-SOLDER: 10 LBS MIN.

ENVIRONMENTAL:

- STORAGE : -40°C TO +85°C.
- OPERATION: 0°C TO 70°C.

MATES WITH MODULAR PLUG CONFORMING TO FCC PART 68, SUBPART F.

CUL FILE NO. E163191

PART NUMBER: E5386-PO02FX

- 1- 3u"    2- 6u"
- 3-15u"    4-30u"
- 5-50u"

MM (INCH)		DFTD Garvey	DATE 9/18/00
TOLERANCES EXCEPT AS NOTED		CHKD JACK	DATE 8/18/00
		MFO LMJ	DATE 8/18/00
		APPL YUAN	DATE 8/18/00
MATERIAL :		MATERIAL :	
ANGLES ±		QTY :	
FINISH :		FINISH :	
SCALE : 3:1		SCALE :	

FULL RISE ELECTRONIC CO., LTD			
TITLE			
11.5 SIDE ENTRY ,外八内六 ,加深型			
DRAWING NO. GE533A2B		SIZE	REV
/PART NO. SEE NOTE		A3	0
DID NOT SCALE DRAWING		SHEET 1	OF 1