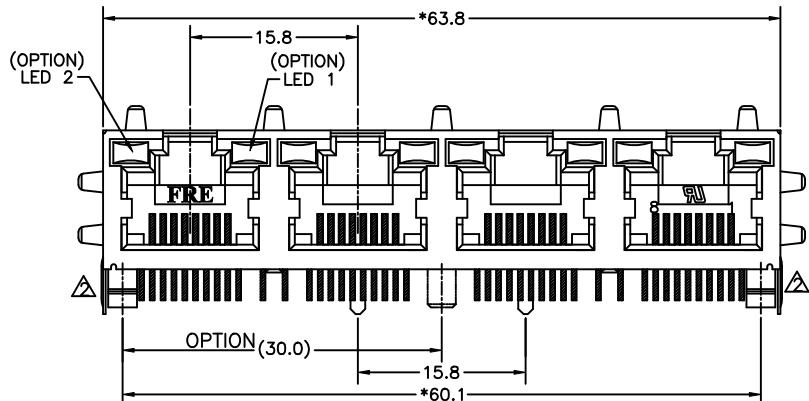


PC Board Layout (t=1.60mm)
Component Side Shown



NOTES:

ELECTRICAL:

1. VOLTAGE RATING : 125 VAC RMS.
2. CURRENT RATING : 1.5 AMP.
3. CONTACT RESISTANCE : 30 MILLIOHMS MAX.
4. INSULATION RESISTANCE: 1000 MEGOHMS MIN @ 500 VDC.
5. DIELECTRIC STRENGTH : 1000 VAC RMS 60Hz, 1MIN.
6. LED RATINGS: FORWARD VOLTAGE: 2.2 VOLTS TYPICAL.
REVERSE VOLTAGE: 5 VOLTS MAXIMUM
7. OPERATING: 750 CYCLES MIN.

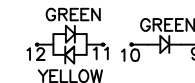
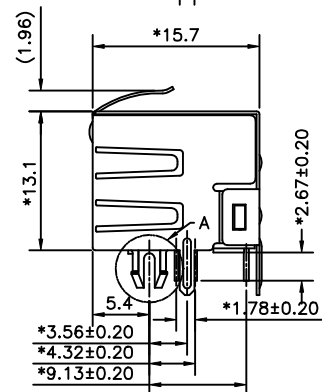
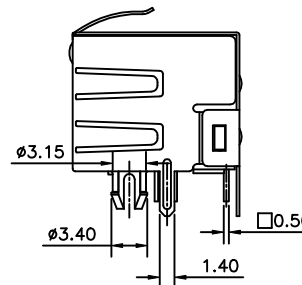
MECHANICAL:

1. HOUSING MATERIAL : PBT+30%.G.F UL94V-0. COLOR-BLACK.
2. INSERT MATERIAL : PBT+30%GF UL94V-0. COLOR-BLACK.
3. BACK PLATE MATERIAL : PBT+30%GF. COLOR-BLACK.
4. LED SIZE : 3.2*2.0*7.0*P=2.54mm.
5. SHIELD MATERIAL : COPPER ALLOY 0.25mm THICKNESS PLATING NI.
6. CONTACT MATERIAL : PHOSPHOR BRONZE 0.35mm THICKNESS OR 0.46mm.
7. PLATING : GOLD PLATING OVER NICKEL.
8. PCB RETENTION PRE-SOLDER : 1 LB MIN.
9. PCB RETENTION POST-SOLDER: 10 LBS MIN.

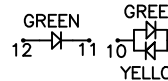
ENVIRONMENTAL:

1. STORAGE : -40°C TO +85°C.
 2. OPERATION: 0°C TO 70°C.
 3. WAVE SOLDERING TEMPERATURE:230~250°C(5~10 SECONDS)
- MATES WITH MODULAR PLUG CONFORMING TO FCC PART 68, SUBPART F.

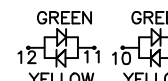
CUL FILE No:E163191



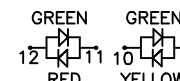
FOR P/N:E5J88-NXCOXX-L



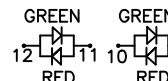
FOR P/N:E5J88-KXCOXX-L



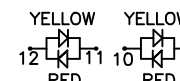
FOR P/N:E5J88-4XCOXX-L



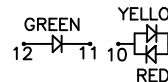
FOR P/N:E5J88-QXCOXX-L



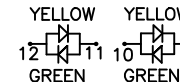
FOR P/N:E5J88-DXCOXX-L



FOR P/N:E5J88-SXCOXX-L



FOR P/N:E5J88-PXCOXX-L



FOR P/N:E5J88-VXCOXX-L

PART NUMBER: E 5 J 8 8 - X X X X X X - L

- 1-LED1:GREEN ,LED2:YELLOW
- 2-LED1:GREEN ,LED2:GREEN
- 3-LED1:YELLOW ,LED2:GREEN
- 4-LED1:G+Y ,LED2:G+Y
- 5-LED1:RED ,LED2:GREEN
- 7-LED1:YELLOW ,LED2:YELLOW
- D-LED1:G+R ,LED2:G+R
- E-LED1:GREEN ,LED2:RED
- N-LED1:GREEN ,LED2:G+Y
- P-LED1:Y+R ,LED2:GREEN
- Q-LED1:G+Y ,LED2:G+R
- S-LED1:Y+R ,LED2:Y+R
- V-LED1:Y+G ,LED2:Y+G
- K-LED1:G+Y ,LED2:GREEN

- PLATING: 1-3u" 2-6u" 3-15u" 4-30u" 5-50u"
- 1- PLATE Tin SHIELD,STAMP PIN,LED LONG 7.00
- 2- PLATE Ni SHIELD,STAMP PIN,LED LONG 7.00
- 3- PLATE Tin SHIELD,ROUND PIN,LED LONG 7.00
- 4- PLATE Ni SHIELD,ROUND PIN,LED LONG 7.00
- 0-W/O LOGO
- 6-W/ FRE&UL
- 4-4 PORTS W/O MIDDLE POLE
- C-4 PORTS W/ MIDDLE POLE
- 0-NO SHIELD
- 1-NO TAB 2-TOP TABS.
- 3-SIDE TABS.
- 4-TOP TABS & SIDE TABS.

| | | | |
|----------------------------|--|--------------|-----------------|
| ← MM (INCH) → | | DFTO PETERS | DATE 03/24/05 |
| TOLERANCES EXCEPT AS NOTED | | CHKD JAKE | DATE 2005/08/23 |
| | | MFO | DATE |
| | | APPV LUSHENG | DATE 2005/08/23 |
| | | MATERIAL : | |
| | | QT'Y : | |
| | | FINISH : | |
| | | SCALE : 2:1 | |
| THIRD ANGLE PROJECTION | | | |

| | | | |
|---------------------------------------|--|---------|------|
| FULL RISE ELECTRONIC CO., LTD | | | |
| TITLE | | | |
| RJ45 SIDE ENTRY LED GANG JACK 4 PORTS | | | |
| DRAWING NO. GE5J3017-LC | | SIZE | REV |
| /PART NO. SEE NOTE | | A3 | 2 |
| DO NOT SCALE DRAWING | | SHEET 1 | OF 1 |