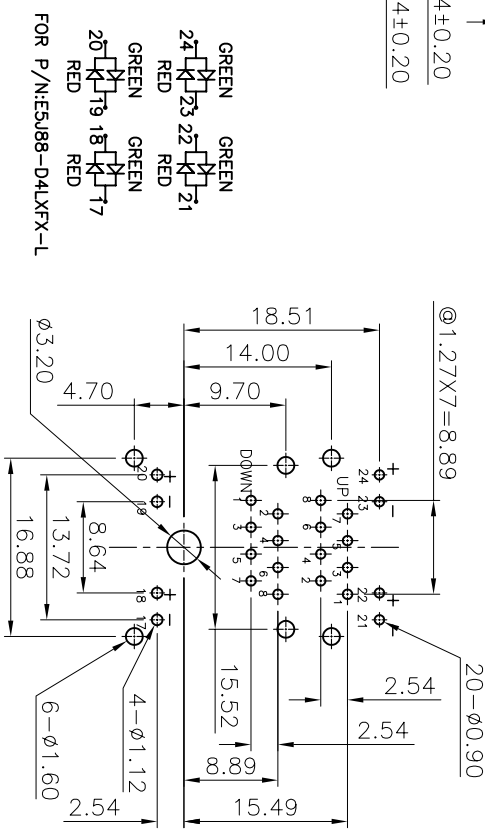
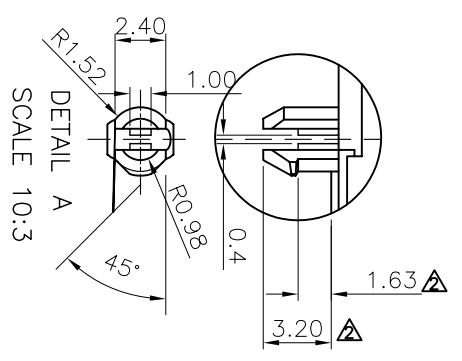
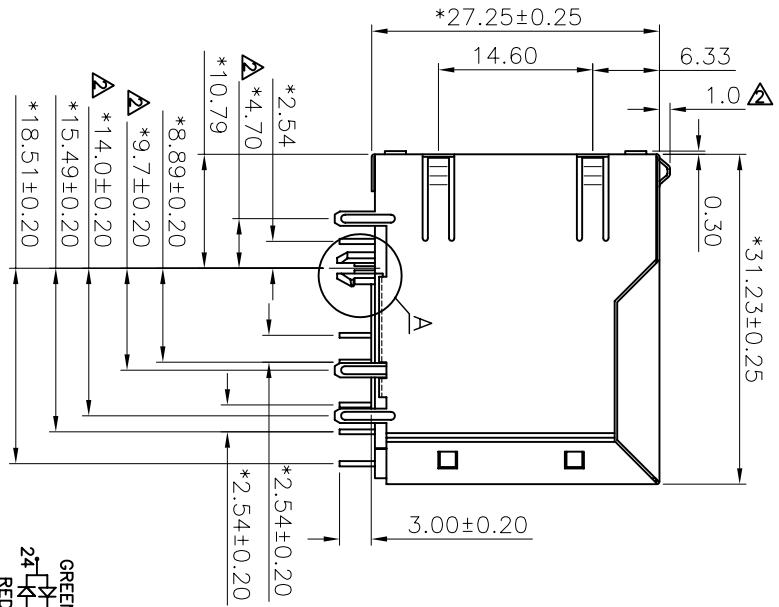
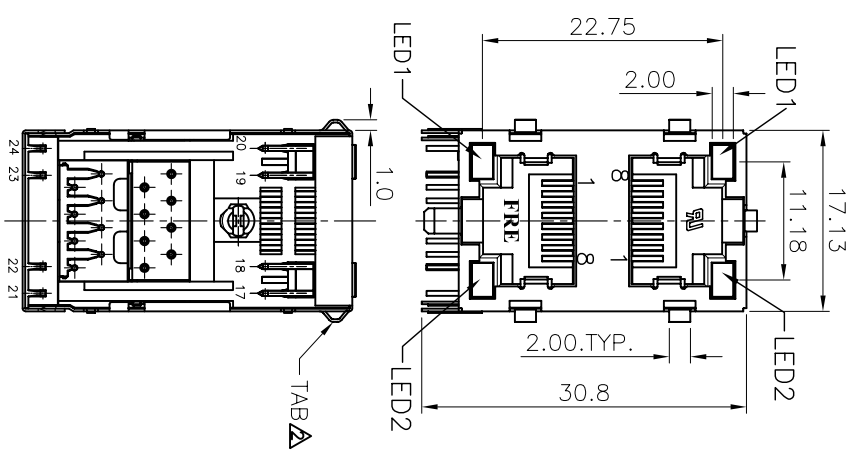


REVISION RECORD			
REV	ECO	DESCRIPTION	CHKD
△		ERASE P/N	YANGLIAN 7/07/05
△		MODIFY NOTE&DIMENSION	Rik 08/18/05



PC Board Layout t=1.6mm
Component Side Shown

ROHS PART NUMBER: ESJ88-XXL3FX-L

- A-LED1:GREEN, LED2:GREEN
 - B-LED1:GREEN, LED2:ORANGE
 - C-LED1:GREEN, LED2:YELLOW
 - L-LED1:YELLOW, LED2:GREEN
 - D-LED1:G+R, LED2:G+R
 - F-LED1:ORANGE, LED2:GREEN
- △ GOLD OPTION:
1- 3u" 2- 6u" 3- 15u"
4- 30u" 5- 50u"
- 1- NO TAB
4- TOP TABS & SIDE TABS

RoHS Compliant/RoHS 6

NOTES:

ELECTRICAL:

1. VOLTAGE RATING : 125 VAC RMS.
2. CURRENT RATING : 1.5 AMP.
3. CONTACT RESISTANCE : 50 MILLIOHMS MAX.
4. INSULATION RESISTANCE: 1000 MEGOHMS MIN @ 500 VDC.
5. DIELECTRIC STRENGTH : 1000 VAC RMS 60Hz, 1MIN.

MECHANICAL:

1. HOUSING MATERIAL : NYLON+30%G.F. UL94V-0. △
2. CONTACT MATERIAL : PHOSPHOR BRONZE Ø0.46mm.
3. PLATING : 1: CONTACT AREA- SELECTIVE GOLD PLATING. △
2: TAILS- 150u" TIN MIN OVER 50u" NICKEL. △
4. OPERATING LIFE : 750 CYCLES MIN.
5. PCB RETENTION PRE-SOLDER : 1 LB MIN.
6. PCB RETENTION POST-SOLDER: 10 LBS MIN.
7. LED COLOR : OPTION △

ENVIRONMENTAL:

1. STORAGE : -40°C TO +85°C.
2. OPERATION: -40°C TO +85°C.
3. WAVE SOLDERING TEMPERATURE: 255~265°C(5~10 SECONDS) △
4. RoHS Compliant/RoHS 6
5. MATES WITH MODULAR PLUG CONFORMING TO FCC PART 68, SUBPART F.

DETACHED LISTS		DFTO YANGLIAN		DATE		DATE		DATE	
MM	(INCH)	CHKD	DATE	MFO	DATE	APPL	DATE		
0 ±0.20									
±0.15									
±0.075									
ANGLES ±		MATERIAL :		QTY :		FINISH :		SCALE : 5:3	
THIRD ANGLE PROJECTION									
		TITLE		DRAWING NO.		SIZE		REV	
		FULL RISE ELECTRONIC CO., LTD		GE5J3021-LA		A3		2	
		STACKED GANGED JACK, 2X1		/PART NO. SEE NOTE		REV		2	
						DO NOT SCALE DRAWING		SHEET 1 OF 1	