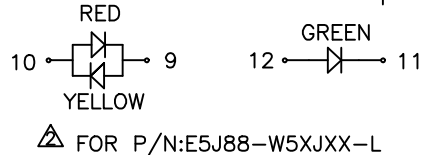
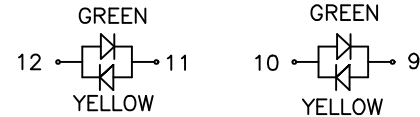
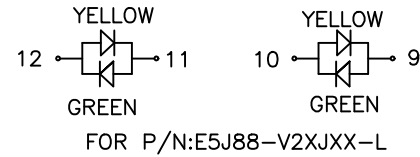
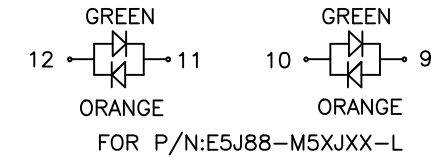
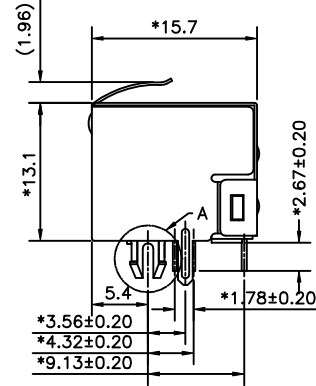
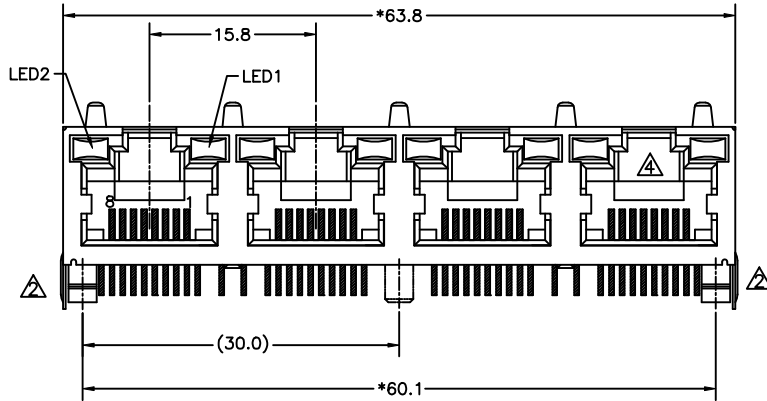
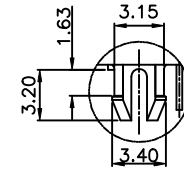
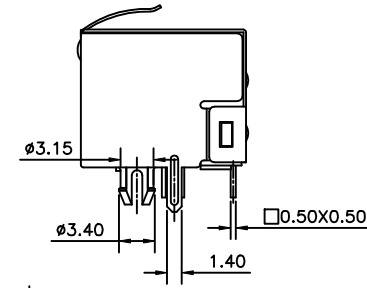
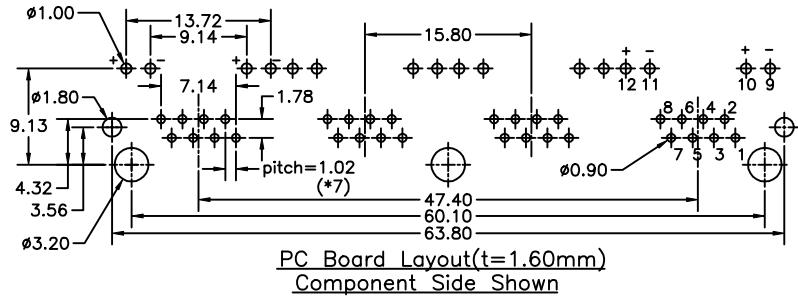


REVISION RECORD				
REV	ECO	DESCRIPTION	DRFT	CHKD
▲		ADD P/N	YANGLAN 07/14/05*	
▲		ADD P/N	YANGLAN 08/04/05*	
▲		Erase Logo	JIE 08/29/05*	
▲		Erase Logo	YANGLAN 10/31/05*	



PART NUMBER: E 5 J 8 8 - X X X X X X X X - L

PLATING: 1-3u" 2-6u" 3-15u" 4-30u" 5-50u"  
 1-PLATE Tin SHIELD, STAMP PIN, LED LONG 7.00  
 2-PLATE Ni SHIELD, STAMP PIN, LED LONG 7.00  
 3-PLATE Tin SHIELD, ROUND PIN, LED LONG 7.00  
 4-PLATE Ni SHIELD, ROUND PIN, LED LONG 7.00

S-4 PORTS, W/O MIDDLE POLE & SHIELD W/O BEHIND LEG.  
 H-4 PORTS, SHIELD W/O BEHIND LEG.

**NOTES:**

**ELECTRICAL:**

- VOLTAGE RATING : 125 VAC RMS.
- CURRENT RATING : 1.5 AMP.
- CONTACT RESISTANCE : 30 MILLIOHMS MAX.
- INSULATION RESISTANCE: 1000 MEGOHMS MIN @ 500 VDC.
- DIELECTRIC STRENGTH : 1000 VAC RMS 60Hz, 1MIN.
- LED RATINGS: FORWARD VOLTAGE: 2.2 VOLTS TYPICAL.  
REVERSE VOLTAGE: 5 VOLTS MAXIMUM
- OPERATING: 750 CYCLES MIN.

**MECHANICAL:**

- HOUSING MATERIAL : FR52 UL94V-0. COLOR-BLACK.
- INSERT MATERIAL : FR52 UL94V-0. COLOR-BLACK.
- BACK PLATE MATERIAL : FR52 COLOR-BLACK.
- LED SIZE : 3.2\*2.0\*7.0\*P=2.54mm.
- SHIELD MATERIAL : COPPER ALLOY 0.25mm THICKNESS PLATING NI.
- CONTACT MATERIAL : PHOSPHOR BRONZE 0.35mm THICKNESS OR 0.46mm.
- PLATING : GOLD PLATING OVER NICKEL.
- PCB RETENTION PRE-SOLDER : 1 LB MIN.
- PCB RETENTION POST-SOLDER: 10 LBS MIN.

**ENVIRONMENTAL:**

- STORAGE : -40°C TO +85°C.
- OPERATION: -40°C TO +85°C.
- SOLDERING TEMPERATURE: 255~265°C 5~10SECONDS.

MATES WITH MODULAR PLUG CONFORMING TO FCC PART 68, SUBPART F. UL FILE No:E163191

← MM (INCH) →		DFTO YANGLAN DATE 07/04/05*
TOLERANCES EXCEPT AS NOTED		CHKD ASHELLY DATE 2005/11/3
		MFO DATE
APPV LUSHENG DATE 2005/11/3		
MATERIAL :		
ANGLES ±		QTY :
FINISH :		
SCALE : 2:1		
THIRD ANGLE PROJECTION		

**FULL RISE ELECTRONIC CO., LTD**

TITLE  
RJ45 SIDE ENTRY LED GANG JACK 4 PORTS

DRAWING NO. GE5J3202-LA SIZE REV  
/PART NO. SEE NOTE A3 4

DO NOT SCALE DRAWING SHEET X OF Y