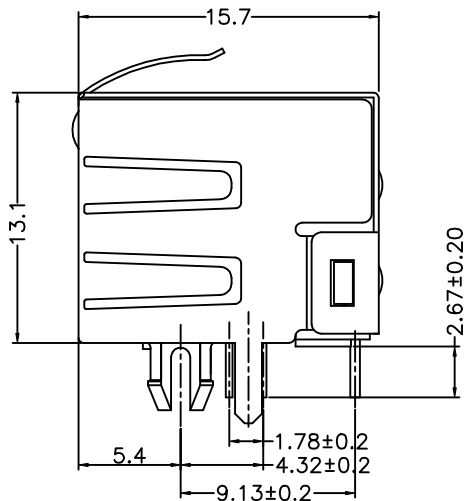
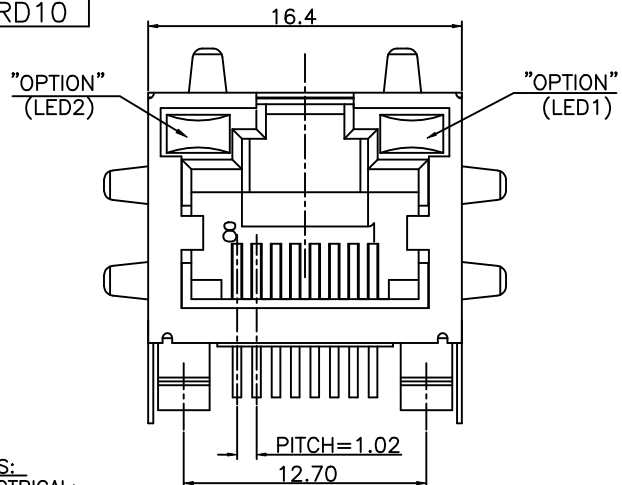


A1RFRD10

REVISION RECORD				
REV	ECO	DESCRIPTION	DRFT	CHKD



**NOTES:**

ELECTRICAL:

- VOLTAGE RATING : 1.5 AMP.
- CURRENT RATING : 125 VAC RMS.
- CONTACT RESISTANCE : 30 MILLIOHMS MAX.
- INSULATION RESISTANCE: 1000 MEGOHMS MIN @ 500 VDC.
- DIELECTRIC STRENGTH : 1000 VAC RMS 60Hz, 1MIN.
- LED RATINGS: FORWARD VOLTAGE: 2.2 VOLTS TYPICAL.  
REVERSE VOLTAGE: 5 VOLTS MAXIMUM.
- OPERATING: 750 CYCLES MIN.

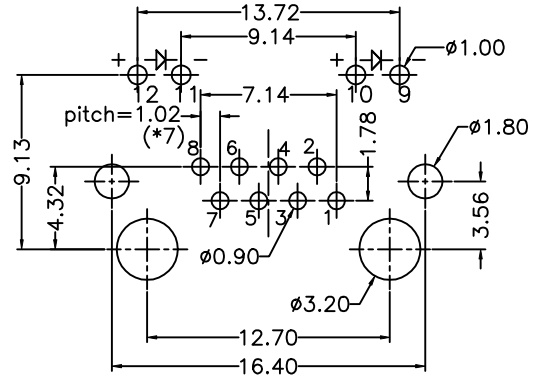
MECHANICAL:

- HOUSING MATERIAL : PBT+30%G.F UL94V-0. COLOR-BLACK.
- INSERT MATERIAL : PBT+30%GF UL94V-0. COLOR-BLACK.
- BACK PLATE MATERIAL : PBT+30%GF. COLOR-BLACK.
- LED SIZE : 3.2\*2.0\*4.0\*P=2.29mm.
- SHIELD MATERIAL : COPPER ALLOY 0.25mm THICKNESS PLATING NI.
- CONTACT MATERIAL : PHOSPHOR BRONZE 0.35mm THICKNESS OR Ø0.46mm.
- PLATING : GOLD PLATING OVER NICKEL.
- PCB RETENTION PRE-SOLDER : 1 LB MIN.
- PCB RETENTION POST-SOLDER: 10 LBS MIN.

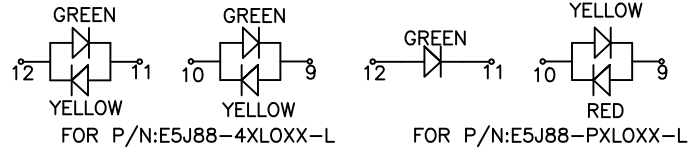
ENVIRONMENTAL:

- STORAGE : -40°C TO +85°C.
- OPERATION : 0°C TO 70°C.
- SOLDER DIP : 230~250°C(3~5 SEC).

MATES WITH MODULAR PLUG CONFORMING TO  
FCC PART 68, SUBPART F.  
CUL FILE NO. E163191



PC Board (t=1.60mm) Layout  
Component Side Shown



PART NUMBER: E 5J 8 8 - X X L O X X-L

- 1-LED1:GREEN ,LED2:YELLOW .
- 2-LED1:GREEN ,LED2:GREEN .
- 3-LED1:YELLOW ,LED2:GREEN .
- 4-LED1:G+Y ,LED2:G+Y .
- 5-LED1:RED ,LED2:GREEN .
- 7-LED1:YELLOW ,LED2:YELLOW .
- K-LED1:G+Y ,LED2:GREEN .
- P-LED1:Y+R ,LED2:GREEN .
- E-LED1:GREEN ,LED2:RED .

- PLATING:1-3u" 2-6u" 3-15u" 4-30u" 5-50u"
- C-"LED TYPE" TIN LEAD SHIELD STAMPED PIN.
- D-"LED TYPE" NI LEAD SHIELD STAMPED PIN.
- J-"LED TYPE" NI LEAD SHIELD ROUND PIN.
- K-"LED TYPE" TIN LEAD SHIELD ROUND PIN.
- 0-W/O LOGO

- 1-NO TAB
- 2-TOP TABS.
- 3-SIDE TABS.
- 4-TOP TABS & SIDE TABS.

<p>MM (INCH)</p> <p>TOLERANCES EXCEPT AS NOTED</p> <p>MM ± .020</p> <p>.00 ± 0.15</p> <p>.000 ± 0.075</p>		<p>DFTO YANGJUNA DATE 06/13/05'</p> <p>CHKD JAKE DATE 2005/06/15</p> <p>MFO DATE</p> <p>APPVLLUSHENG DATE 2005/06/15</p>		<p>FULL RISE ELECTRONIC CO., LTD</p>	
<p>ANGLES ±</p> <p>THIRD ANGLE PROJECTION</p>		<p>MATERIAL :</p> <p>QTY :</p> <p>FINISH :</p> <p>SCALE :</p>		<p>TITLE</p> <p>RJ45 SIDE ENTRY LED JACK</p> <p>DRAWING NO. GE5J3A03-LC</p> <p>/PART NO. SEE NOTE</p> <p>DO NOT SCALE DRAWING</p>	
				<p>SIZE A3</p>	<p>REV 0</p>
				<p>SHEET 1 OF 1</p>	