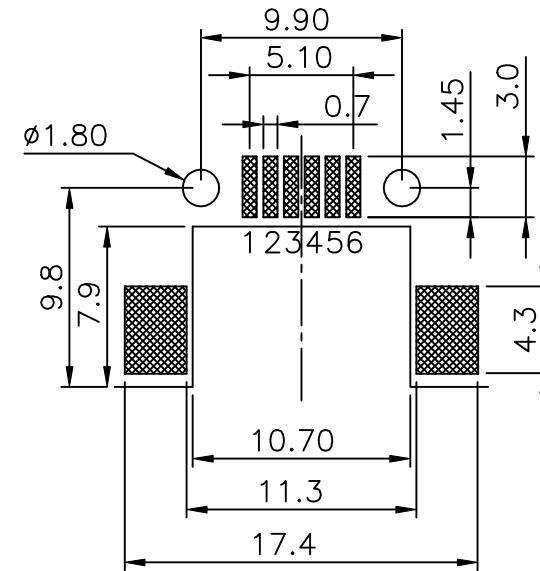
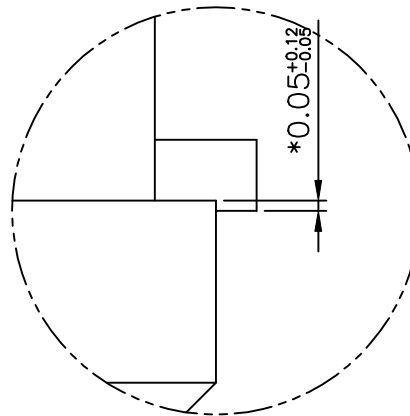
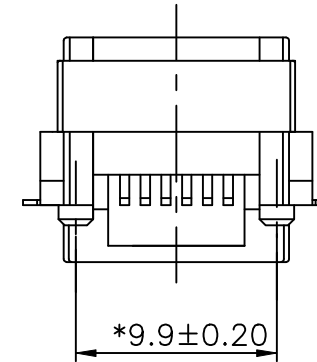
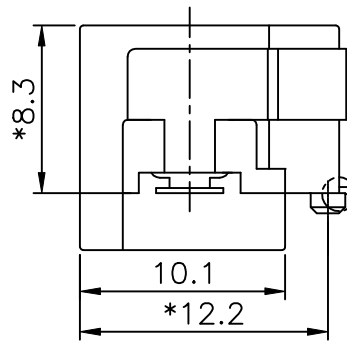
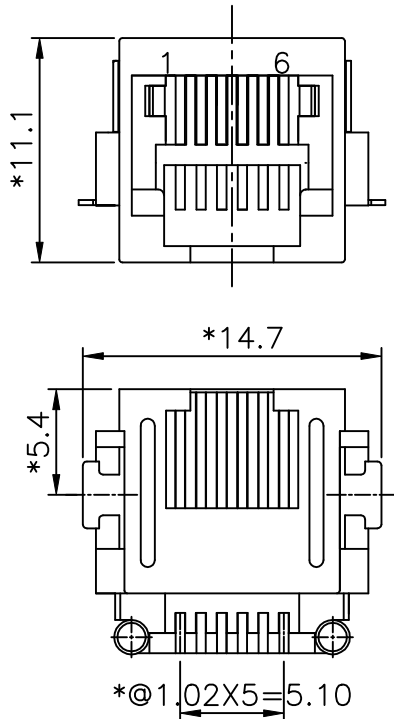


REVISION RECORD				
REV	ECO	DESCRIPTION	DRFT	CHKD



P.C.B. Layout (TOP VIEW) t=1

NOTES:

ELECTRICAL:

- VOLTAGE RATING : 125 VAC RMS.
- CURRENT RATING : 1.5 AMP.
- CONTACT RESISTANCE : 30 MILLIOHMS MAX.
- INSULATION RESISTANCE: 1000 MEGOHMS MIN @ 500 VDC.
- DIELECTRIC STRENGTH : 1000 VAC RMS 60Hz, 1MIN.

MECHANICAL:

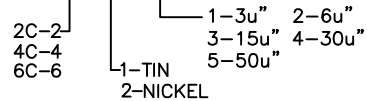
- HOUSING MATERIAL : NYLON FR52(HIGH TEMPERATURE)
- CONTACT MATERIAL : PHOSPHOR BRONZE t=0.35mm.
- PLATING : 1: CONTACT AREA- SELECTIVE GOLD PLATING.
2: TAILS- 150u" TIN-LEAD MIN OVER 50u" NICKEL.
- OPERATING LIFE : 750 CYCLES MIN.
- PCB RETENTION POST-SOLDER: 10 LBS MIN.

ENVIRONMENTAL:

- STORAGE : -40°C TO +85°C.
- OPERATION: 0°C TO 70°C.
- REFLOW SOLDERING TEMPERTUR: 255°C TO 265°C 5-10SECOND.

MATES WITH MODULAR PLUG CONFORMING TO FCC PART 68, SUBPART F.

ROHS PART NUMBER: E666X-1X026X-L



MM (INCH)		DFTO SAMMY	DATE 04/11/05
TOLERANCES EXCEPT AS NOTED		CHKDQIANPU	DATE2005/4/11
		MFO	DATE
		APPVILLUSHENG	DATE2005/4/12
MM		MATERIAL :	
.0	±	QT'Y :	
.00	±	FINISH :	
.000	±	SCALE :	
ANGLES ±		THIRD ANGLE PROJECTION	

FULL RISE ELECTRONIC CO., LTD			
TITLE			
RJ11 SIDE ENTRY PCB JACK (SMD)			
DRAWING NO. GE663004-LA		SIZE	REV
/PART NO. SEE NOTE		A3	0
DO NOT SCALE DRAWING		SHEET X	OF Y