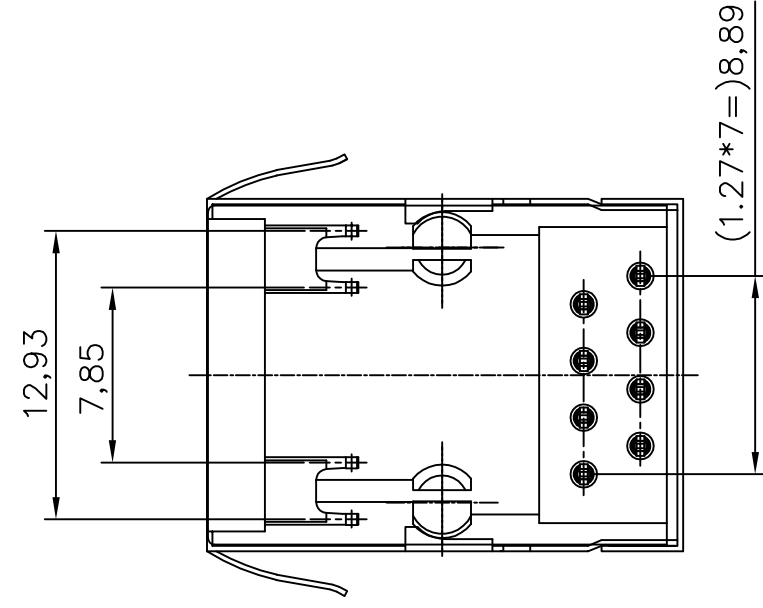
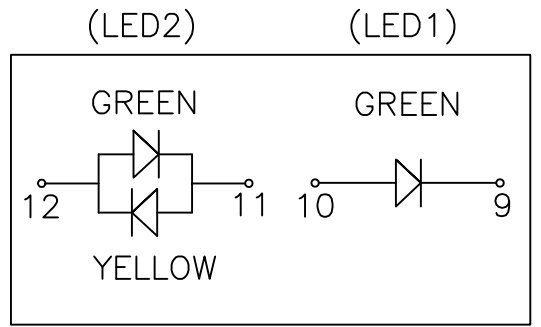
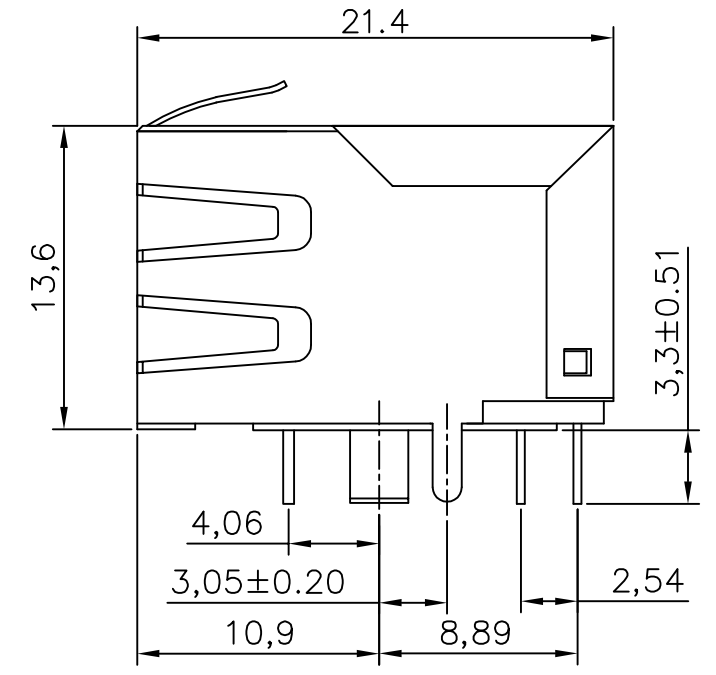
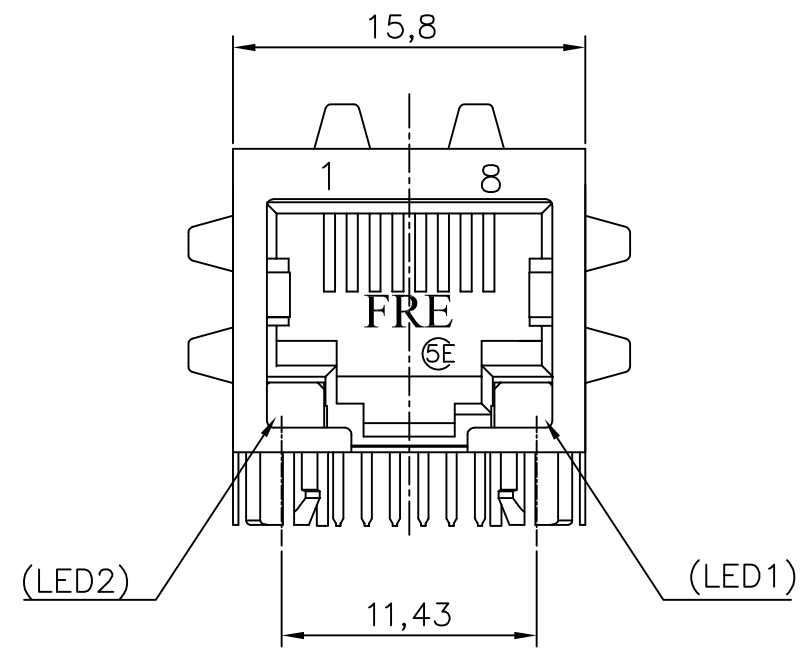
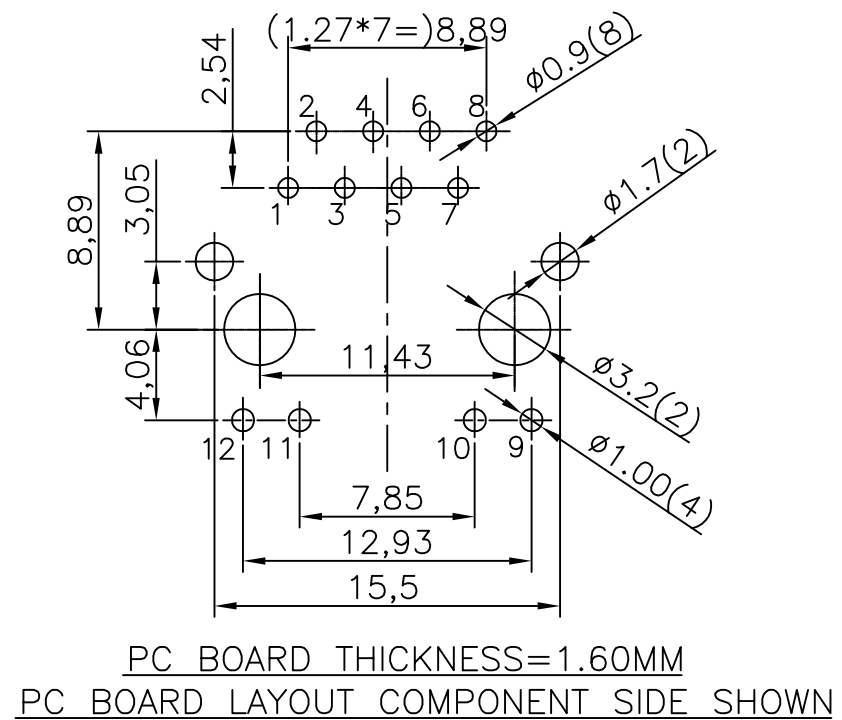


REVISION RECORD		
REV	DESCRIPTION	DRFT



PC BOARD THICKNESS=1.60MM
PC BOARD LAYOUT COMPONENT SIDE SHOWN

NOTES:

ELECTRICAL:

- VOLTAGE RATING : 125 VAC RMS.
- CURRENT RATING : 1.5AMP.
- CONTACT RESISTANCE : 50 MILLIOHMS MAX.
- INSULATION RESISTANCE: 1000 MEGOHMS MIN @ 500 VDC.
- DIELECTRIC STRENGTH : 1000 VAC RMS 60Hz, 1MIN.
- CATEGORY 5E CHARACTERISTIC:

Frequency	Near-End Cross Talk dB, MIN.	Return Loss dB, MIN.	Attenuation dB, MAX.
1.0 MHZ	65.0	35.5	0.1
4.0 MHZ	65.0	35.5	0.1
8.0 MHZ	64.9	35.5	0.1
10.0 MHZ	63.0	35.5	0.1
16.0 MHZ	58.9	35.5	0.2
20.0 MHZ	57.0	34.0	0.2
25.0 MHZ	55.0	32.0	0.2
31.25 MHZ	53.1	30.1	0.2
62.5 MHZ	47.1	24.0	0.3
100.0 MHZ	43.0	20.0	0.4

MECHANICAL:

- HOUSING MATERIAL : PBT+30% BK UL94V-0.
- CONTACT MATERIAL : PHOSPHOR BRONZE t=0.35mm.
- PLATING : GOLD PLATING OVER NICKEL.
- OPERATING LIFE : 750 CYCLES MIN.
- PCB RETENTION PRE-SOLDER : 1 LB MIN.
- PCB RETENTION POST-SOLDER: 10 LBS MIN.
- LED'S CHARACTERISTICS:
 - POWER DISSIPATION:100mW MAX.
 - FORWARD CURRENT:30mA MAX.
 - FORWARD VOLTAGE:2.2 VOLTS TYPICAL.
 - LED2 REVERSE VOLTAGE:5.0 VOLTS MAX.
 - PEAK EMISSION WAVELENGTH: GREEN LED 569nm TYPICAL. YELLOW LED 586nm TYPICAL.

ENVIRONMENTAL:

- STORAGE : -40°C TO +85°C.
- OPERATION: -40°C TO +85°C.
- WAVE SOLDERING TEMPERATURE: 230°C~250°C (5~10 SECONDS)
- RoHS COMPLIANT

MATES WITH MODULAR PLUG CONFORMING TO FCC PART 68, SUBPART F.
CUL FILE NO. E163191

PART NUMBER	PLATING
E6588-WA0B44-L	30u''

DETACHED LISTS	MM (INCH)	RoHS Compliant	Pulse Electronics		
	TOLERANCES EXCEPT AS NOTED		TITLE CAT.5E W/LED JACK		
	MM .0 ± 0.25 ± .00 ± 0.20 ± .000 ± 0.10 ±	DFTO : Jacky			DRAWING NO. CE6588-WA0B44-L
	ANGLES ± 1°	DATE : 12/21/2012	/PART NO. E6588-WA0B44-L	DO NOT SCALE DRAWING	
THIRD ANGLE PROJECTION	SCALE : 3:1	SHEET 1 OF 1			