
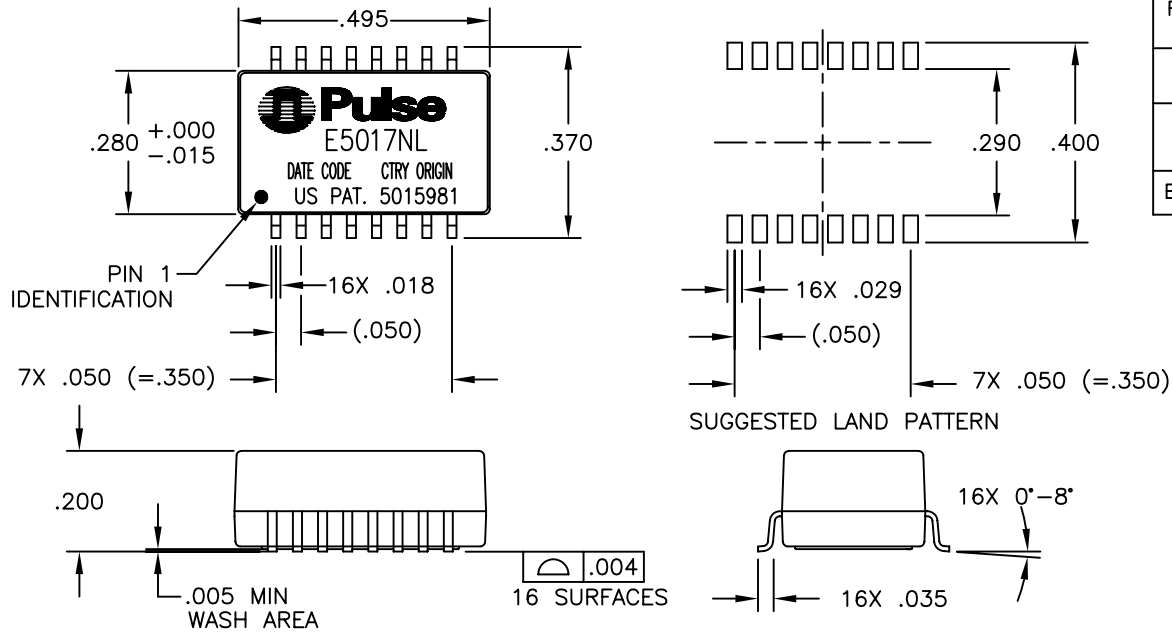


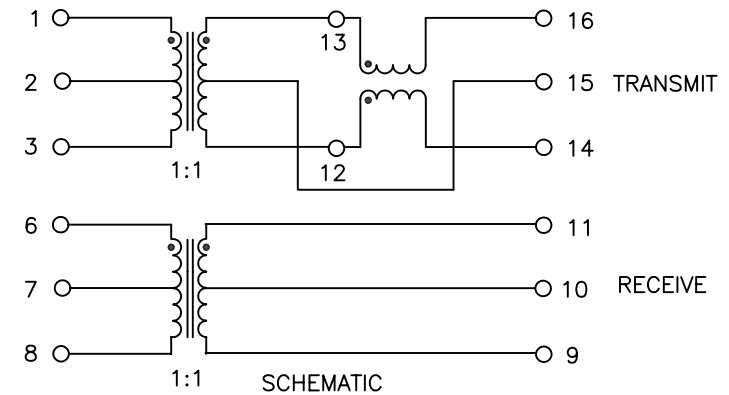
NOTES: UNLESS OTHERWISE SPECIFIED

- |         |  |
|---------|--|
| NOTICE: | THIS IS A RoHS COMPLIANT COMPONENT/PRODUCT. ALL ENGINEERING CHANGES MUST HAVE PRIOR APPROVAL BY THE DESIGN CENTER. |
| RoHS    |                                   |
- HEADER: THERMOSET PLASTIC MATERIAL WITH FLAMMABILITY RATING UL 94V-0 OR BETTER.
- PCB CONTACTS SOLDER AREA: SN100C TIN PLATING.
- SOLDERABILITY: CONFORMS TO ANSI/J-STD-002, IPC/EIA J-STD-003A.
- OPERATING TEMPERATURE: 0°C TO +70°C
- STORAGE TEMPERATURE: -20°C TO +125°C
- JEDEC MOISTURE: LEVEL 1.



ELECTRICAL CHARACTERISTICS AT +25°C UNLESS OTHERWISE SPECIFIED  
(FOR REFERENCE ONLY. USED FOR CUSTOMER INFORMATION.)

PARAMETER	SPECIFICATIONS							
OPERATING TEMP	0°C - 70 °C							
URNS RATIO	1 : 1 ±3%							
POLARITY	PER SCHEMATIC							
CAPACITANCE WINDING TO WINDING (SAMPLE)	12 pF MAX ( AT 100 KHz 20 mVRMS)							
LEAKAGE INDUCTANCE	0.50 uH MAXIMUM (AT 100KHz 20mVRMS)							
PRIMARY INDUCTANCE	140uH MINIMUM (100KHz AT 20mVRMS)							
COMMON MODE REJECTION RATIO		100 KHz	1 MHz	5 MHz	20 MHz	30 MHz	90 MHz	200 MHz
	TX	-60 dB MIN	-60 dB MIN	-45 dB MIN	-40 dB MIN	-35 dB MIN	-30 dB MIN	-20 dB MIN
	RX	-60 dB MIN	-60 dB MIN	-40 dB MIN	-30 dB MIN	-25 dB MIN	-25 dB MIN	-15 dB MIN
INSERTION LOSS		1 MHz			5 MHz~10 MHz			
	TX	-0.6 dB MAX			-0.5 dB MAX			
	RX	-0.8 dB MAX			-0.6 dB MAX			
RETURN LOSS		1 MHz			5 MHz~10 MHz			
	TX	-19 dB MIN			-23 dB MIN			
	RX	-19 dB MIN			-21 dB MIN			
CROSSTALK		1 MHz~10 MHz						
		-50 dB MIN						
COMMON TO DIFFERENTIAL MODE REJECTION		100 KHz~1 MHz	5 MHz	20 MHz	30 MHz	90 MHz	200 MHz	
		-60 dB MIN	-50 dB MIN	-40 dB MIN	-35 dB MIN	-30 dB MIN	-20 dB MIN	
BETWEEN CHANNEL ISOLATION		1500 VRMS MIN @ 60 SECONDS						



© Copyright, 2010. Pulse Engineering, Inc. All rights reserved. Drawing specifications subject to change without notice. (04/14/10)

PULSE CONFIDENTIAL & PROPRIETARY	PRODUCT DESCRIPTION	PS DRAWING	SHEET:	DWG. NO./ PART NO.	REV.
	MDL,SIN,10D,1:1,SM,TU	PS-0009.001-F	1	E5017NL	M13