
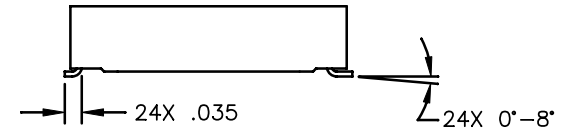
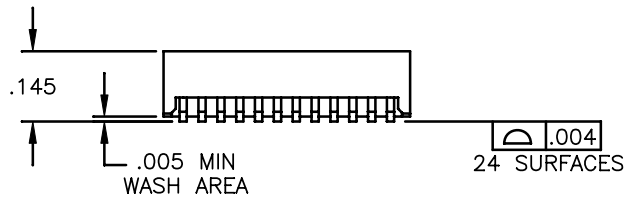
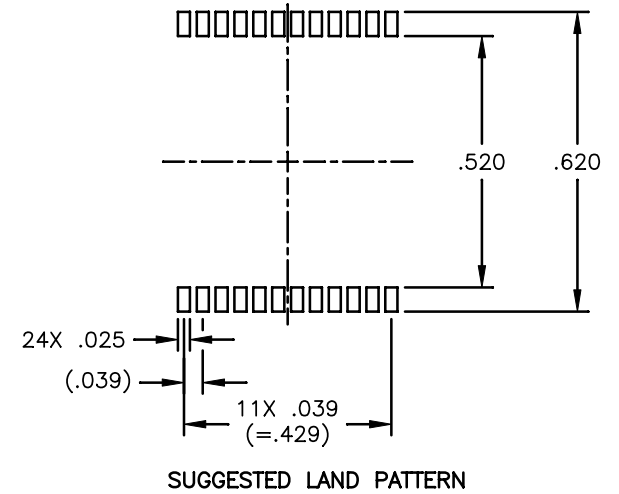
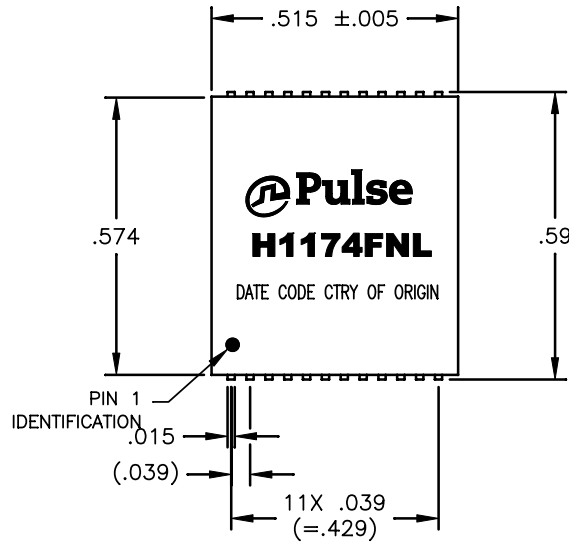
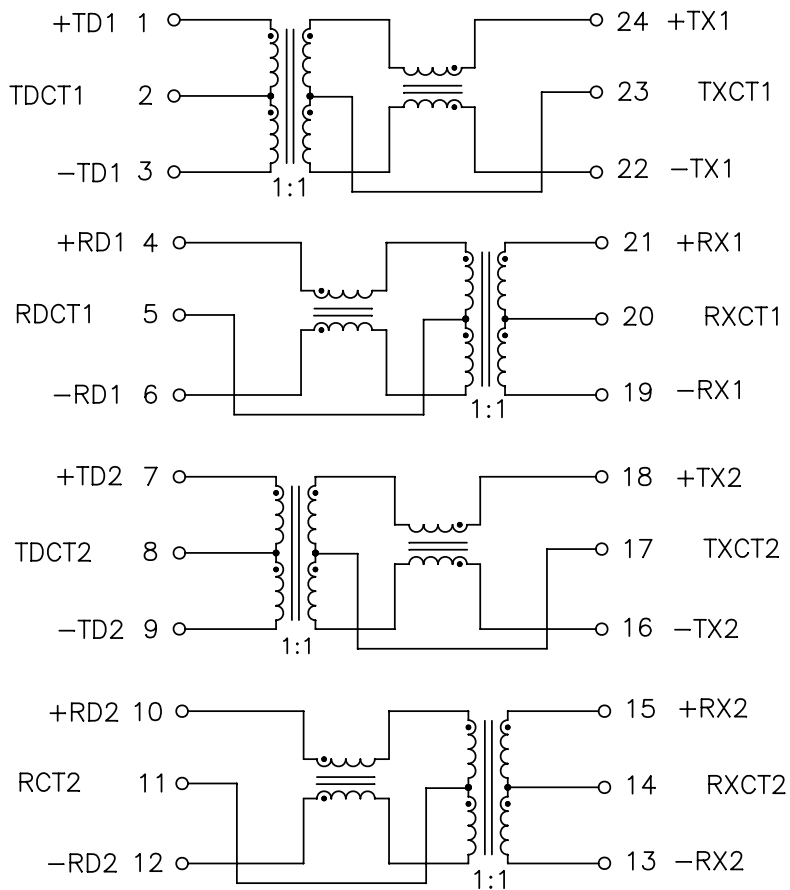


NOTES: UNLESS OTHERWISE SPECIFIED

1.

NOTICE:	THIS IS A RoHS COMPLIANT COMPONENT/PRODUCT. ALL ENGINEERING CHANGES MUST HAVE PRIOR APPROVAL BY THE DESIGN CENTER.
 RoHS	
2. PLASTIC: THERMOSET PLASTIC MATERIAL WITH FLAMMABILITY RATING UL 94V-0 OR BETTER.
3. SOLDERABILITY: CONFORMS TO ANSI/J-STD-002, 245°C REFLOW PEAK TEMPERATURE PER IPC/EIA J-STD-003A
4. OPERATING TEMPERATURE: 0°C TO +70°C
5. STORAGE TEMPERATURE: -20°C TO +125°C
6. JEDEC MOISTURE: LEVEL 1.
7. DIMENSIONS ARE IN INCHES WITH THE FOLLOWING TOLERANCES:
.XX= ±.02
.XXX= ±.010
8. REVISION: MP1,MP2, ARE PRELIMINARY.





SCHEMATIC

ELECTRICAL CHARACTERISTICS AT +25°C

PARAMETER	SPECIFICATIONS	
OPERATING TEMP	0°C - 70 °C	
TURNS RATIO	1 : 1 ±2%	
POLARITY	PER SCHEMATIC	
INSERTION LOSS	1-100 MHz	125 MHz
	-1.0 dB MAX	-1.2 dB MAX
RETURN LOSS Z _{OUT} = 100 OHMS	1 MHz	30-80 MHz
	-20 dB MIN	-18+26 LOG ₁₀ (f/30 MHz) dB MIN
CROSSTALK (TX-RX)	5-100 MHz	
	-50+12 LOG ₁₀ (f/5 MHz) dB MIN	
DIFFERENTIAL TO COMMON MODE REJECTION	5-200 MHz	
	-50+17 LOG ₁₀ (f/5 MHz) dB MIN	
COMMON MODE REJECTION	-50+17 LOG ₁₀ (f/5 MHz) dB MIN	
ISOLATION (INPUT - OUTPUT)	1500 VRMS 1 MINUTE	

