
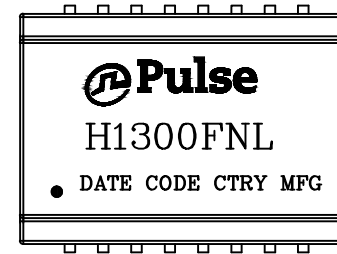


NOTES: UNLESS OTHERWISE SPECIFIED

1.

| | |
|---|--|
| NOTICE: | THIS IS A RoHS COMPLIANT COMPONENT/PRODUCT. ALL ENGINEERING CHANGES MUST HAVE PRIOR APPROVAL BY THE DESIGN CENTER. |
| RoHS-6 | |
|  | |

2. PLASTIC: THERMOSET PLASTIC MATERIAL WITH FLAMMABILITY RATING UL 94V-0 OR BETTER.
3. SOLDERABILITY: CONFORMS TO ANSI/J-STD-002 245°C REFLOW PEAK TEMPERATURE PER IPC/EIA J-STD-003A
4. OPERATING TEMPERATURE: 0°C TO +70°C
5. STORAGE TEMPERATURE: -20°C TO +125°C
6. JEDEC MOISTURE: LEVEL 1.
7. DIMENSIONS ARE IN INCHES WITH THE FOLLOWING TOLERANCES:
.XX = ±.01
.XXX = ±.005

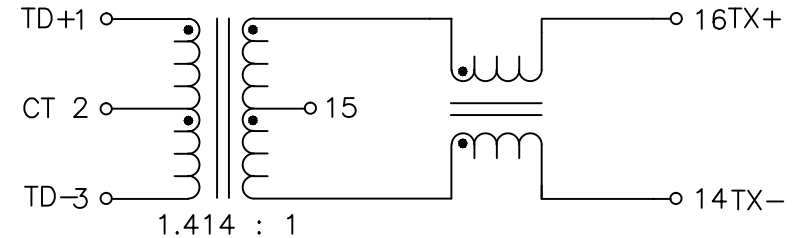


ELECTRICAL CHARACTERISTICS:
ELECTRICAL: @ +25°C

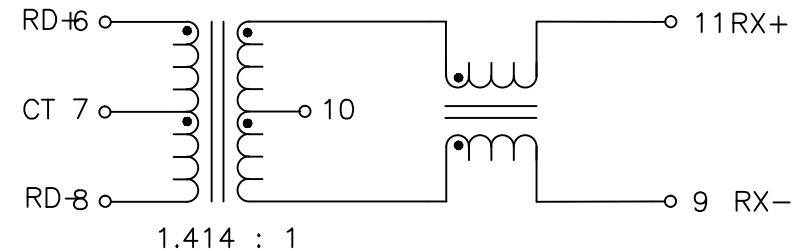
| PARAMETER | SPECIFICATIONS | | |
|--|---|--|------------|
| | 100 KHz | 1-125 MHz | |
| INSERTION LOSS | -1.2 dB MAX | -0.2-0.002*f ^{1.4} dB MAX | |
| | | | |
| RETURN LOSS (Z OUT = 100 OHM ±15%) | .1-30 MHz | 30-60 MHz | 60-80 MHz |
| | -16 dB MIN | -10+20*LOG ₁₀ (f/60 MHz) dB MIN | -10 dB MIN |
| INDUCTANCE (OCL) (MEDIA SIDE, 0°C-70°C) | 350 uH MIN (MEASURED AT 100 KHz, 100 mVRMS WITH 8 mA DC BIAS) | | |
| | 1 MHz | 10-100 MHz | |
| CROSSTALK, ADJACENT CHANNELS | -50 dB MIN | -55+22*LOG ₁₀ (f/10) dB MIN | |
| | | | |
| COMMON MODE REJECTION RATIO | 2 MHz | 30-200 MHz | |
| | -50 dB MIN | -15+20*LOG ₁₀ (f/200) dB MIN | |
| DC RESISTANCE, 1/2 WINDING | .65 OHMS MAX | | |
| DC RESISTANCE IMBALANCE | ±.065 OHMS MAX (CENTER TAP SYMMETRY) | | |
| INPUT - OUTPUT ISOLATION | 1500 VRMS MIN @ 60 SECONDS | | |

NOTE: f IS FREQUENCY IN MHz.

TRANSMIT



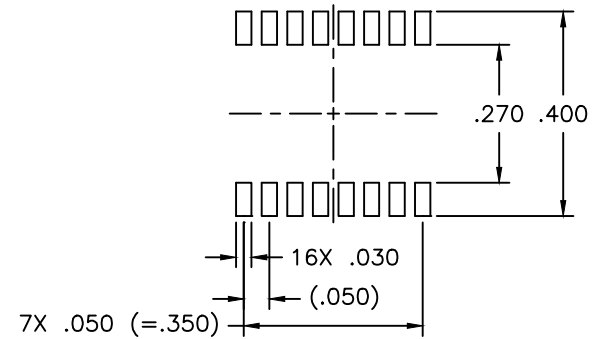
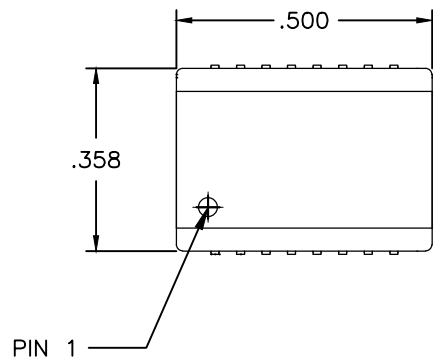
RECEIVE



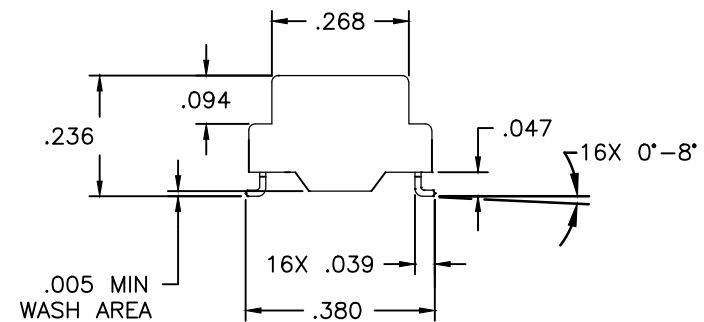
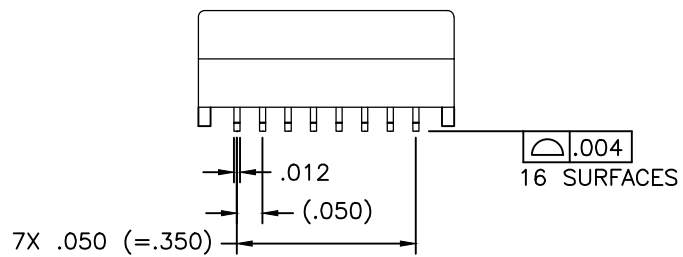
SCHEMATIC

© Copyright, 2013. Pulse Electronics, Inc. All rights reserved. Drawing specifications subject to change without notice. (8/2/13)

| | | | | | |
|--|--------------------------|---------------|--------|--------------------|------|
| PULSE CONFIDENTIAL & PROPRIETARY | PRODUCT DESCRIPTION | PS DRAWING | SHEET: | DWG. NO./ PART NO. | REV. |
| | MDL,SIN,100D,1.414:1,SMT | PS-2005.002-C | 1 | H1300FNL | M10 |



SUGGESTED LAND PATTERN



| PULSE CONFIDENTIAL & PROPRIETARY | PRODUCT DESCRIPTION | PS DRAWING | SHEET: | DWG. NO./ PART NO. | REV. |
|--|--------------------------|---------------|--------|--------------------|------|
| | MDL,SIN,100D,1.414:1,SMT | PS-2005.002-C | 2 | H1300FNL | M10 |