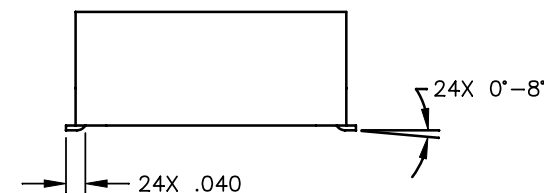
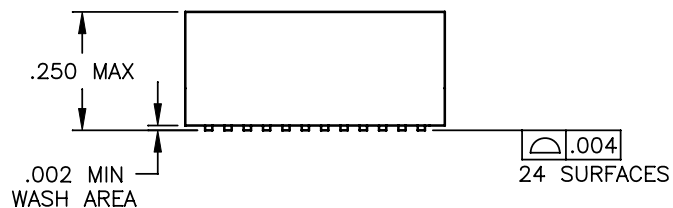
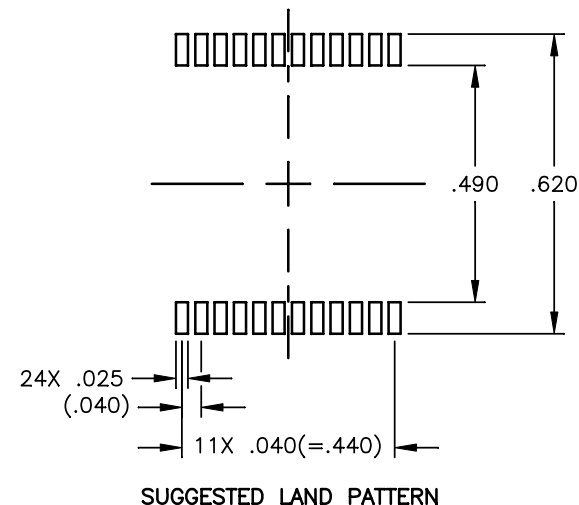
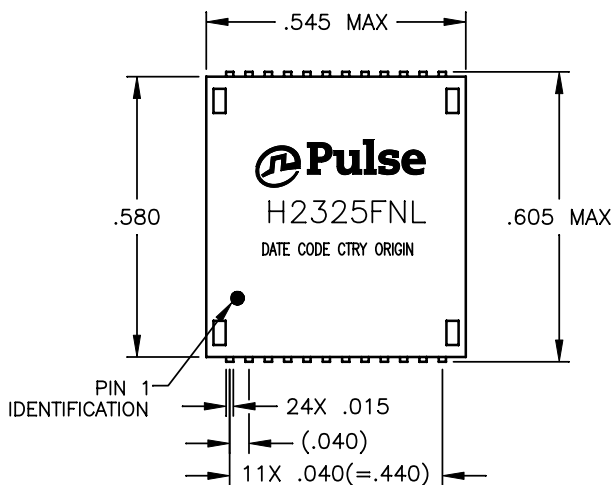


NOTES: UNLESS OTHERWISE SPECIFIED

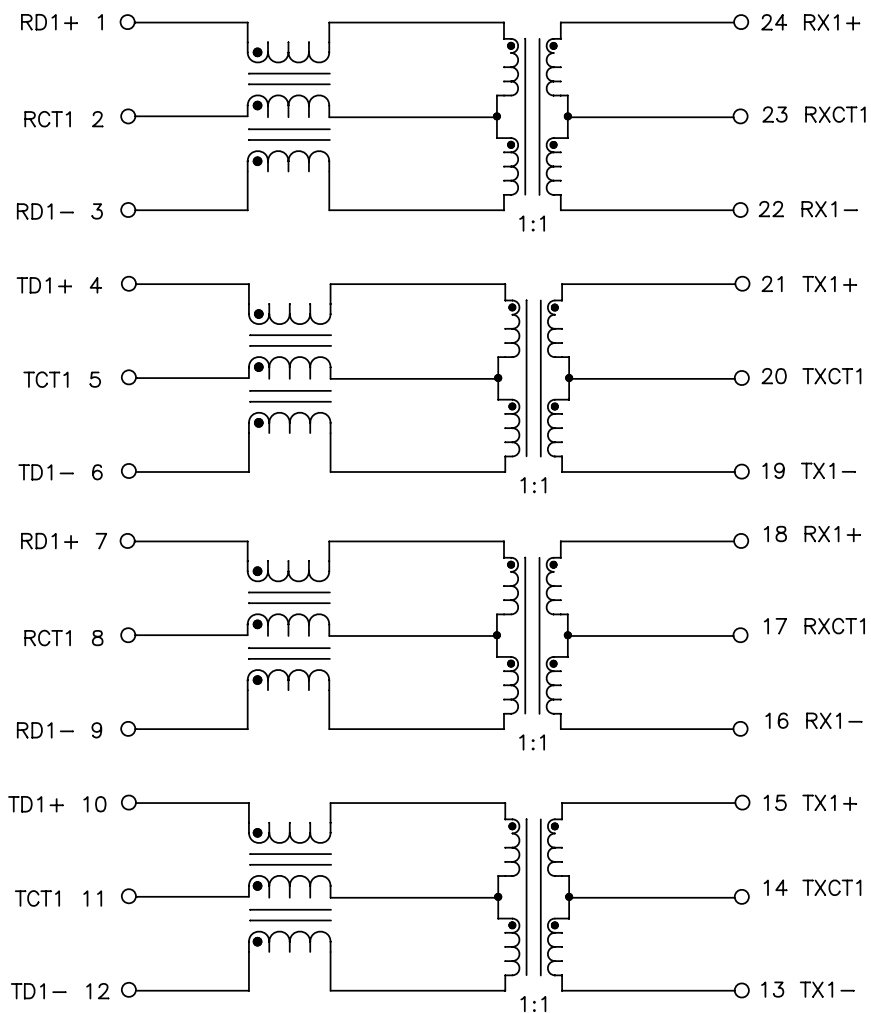
1.

| | |
|-----------|--|
| NOTICE: | THIS IS A RoHS COMPLIANT COMPONENT/PRODUCT. ALL ENGINEERING CHANGES MUST HAVE PRIOR APPROVAL BY THE DESIGN CENTER. |
| RoHS ✓ | |
2. PLASTIC: THERMOSET PLASTIC MATERIAL WITH FLAMMABILITY RATING UL 94V-0 OR BETTER.
3. SOLDERABILITY: CONFORMS TO ANSI/J-STD-002, 245°C REFLOW PEAK TEMPERATURE PER IPC/EIA J-STD-003A
4. OPERATING TEMPERATURE: 0°C TO +70°C
5. STORAGE TEMPERATURE: -20°C TO +125°C
6. JEDEC MOISTURE: LEVEL 1.
7. DIMENSIONS ARE IN INCHES WITH THE FOLLOWING TOLERANCES:
.XX= ±.02
.XXX= ±.010
8. REVISION: MP1,MP2, ARE PRELIMINARY.



© Copyright, 2013. Pulse Electronics Corp. All rights reserved. Drawing specifications subject to change without notice. (08/08/13)

| | | | | | |
|--|-------------------------|---------------|--------|--------------------|------|
| PULSE CONFIDENTIAL & PROPRIETARY | PRODUCT DESCRIPTION | PS DRAWING | SHEET: | DWG. NO./ PART NO. | REV. |
| | MDL,DUAL,100P,1:1,SM,TU | PS-2750.001-A | 1 | H2325FNL | MP1 |



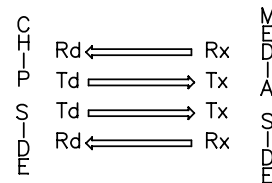
SCHEMATIC

ELECTRICAL CHARACTERISTICS AT +25°C

| PARAMETER | SPECIFICATIONS | | |
|--|------------------------------|---|-------------|
| OPERATING TEMP | 0°C – 70 °C | | |
| URNS RATIO | 1 : 1 ±2% | | |
| POLARITY | PER SCHEMATIC | | |
| OCL, TRANSMIT CHANNEL 0 TO 70 °C | 350 uH MIN. WITH 8mA DC BIAS | | |
| INSERTION LOSS | 100 KHz | 1–100 MHz | 125 MHz |
| | -1.2 dB MAX | -1.0 dB MAX | -3.0 dB MAX |
| RETURN LOSS (Z OUT = 100 OHM ±15%) | 2–30 MHz | 30–60 MHz | 60–80 MHz |
| | -16 dB MIN | -16+20*LOG ₁₀ (f/30 MHz) dB MIN | 10 dB MIN |
| CROSSTALK (TX–RX) | 1 MHz | 30–100 MHz | |
| | -50 dB MIN | -55+24*LOG ₁₀ (f/10 MHz) dB MIN | |
| DIFFERENTIAL TO COMMON MODE REJECTION | 2 MHz | 30–100 MHz | |
| | -50 dB MIN | -43+22*LOG ₁₀ (f/30 MHz) dB MIN | |
| INPUT – OUTPUT ISOLATION | 1500 VRMS FOR 60 SECONDS | | |

NOTE: f IS FREQUENCY IN MHz.

LEGEND



ALL CHANNELS ARE
IN-PHASE BETWEEN
INPUT AND OUTPUT