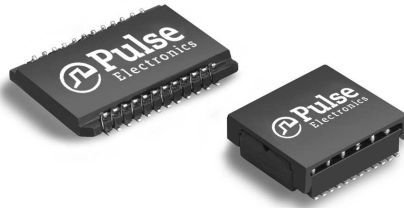


# 1000Base-T, Single Port Mini-Magnetics Modules

Designed to Support 1:1 Turns Ratio Transceivers



- RoHS-6 peak reflow temperature rating 245°C
- Small footprint saves board space
- Compliant with IEEE 802.3ab standard for 1000BASE-T

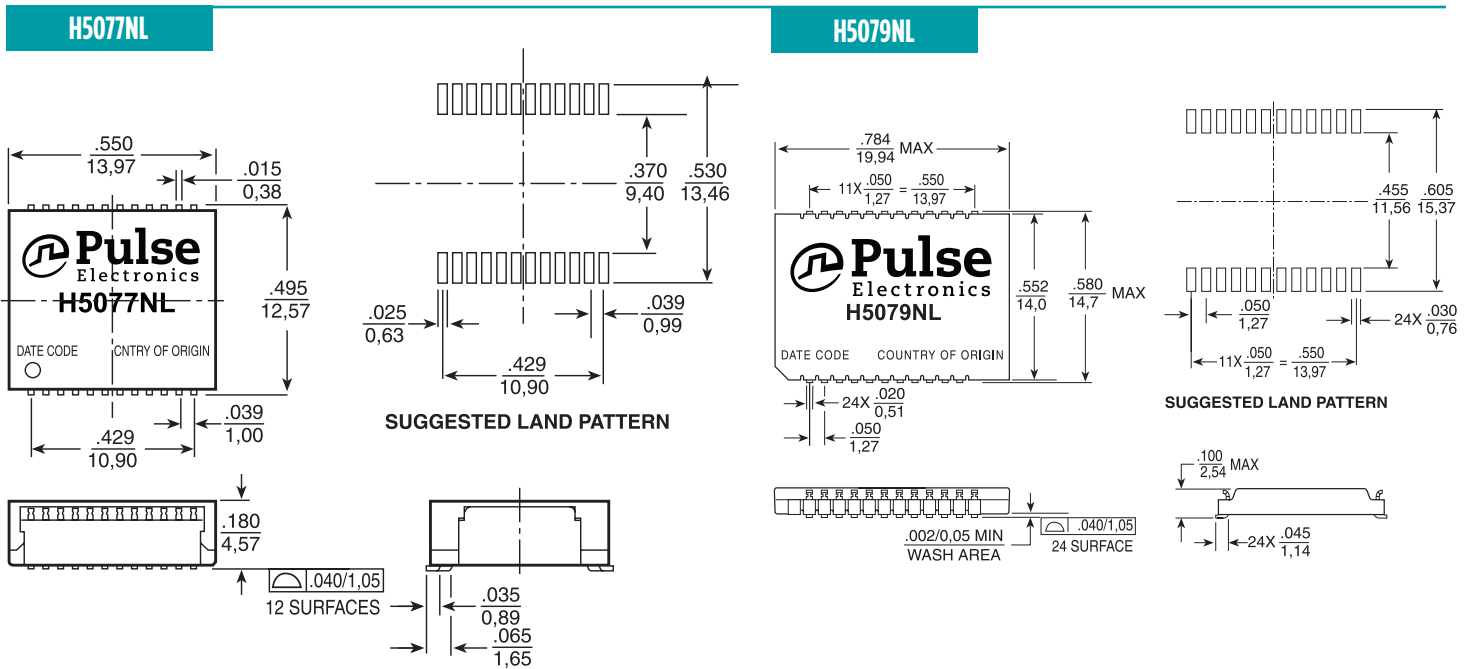
## Electrical Specifications @ 25°C - Operating Temperature 0°C to 70°C

Part Number <sup>1</sup>	Insertion Loss (dB MAX)	Return Loss (dB MIN @ 100 W)					Differential to Common Mode Rejection (dB MIN)			Crosstalk (dB MIN)			Hipot (Vrms MIN)
		1-100 MHz	1-30 MHz	40-50 MHz	60-80 MHz	100 MHz	30 MHz	60 MHz	100 MHz	30 MHz	60 MHz	100 MHz	
H5077NL <sup>2</sup>	1	-18	-16	-12	-10	-43	-37	-33	-45	-40	-35	1500	
H5079NL <sup>2</sup>	1	-18	-16	-12	-10	-43	-37	-33	-45	-40	-35	1500	

### Notes:

1. Add "T" to the end of the part number for tape-and-reel option, e.g. H5077NL becomes H5077NLT.
2. MSL = Moisture Sensitivity Level = 1
3. RoHS-6: Product does not contain 5 out of the 6 banned substances specified in the RoHS directive. Some internal connections may contain lead in high-temperature solder (solder alloys containing more than 85% lead).

## Mechanicals



Weight .....1.2 grams  
Tape & Reel .....400  
Tube .....30

Dimensions:  $\frac{\text{Inches}}{\text{mm}}$  Unless otherwise specified, all tolerances are  $\pm \frac{.010}{0,25}$

Weight .....1.2 grams  
Tape & Reel .....400  
Tube .....30

USA 858 674 8100

Germany 49 7032 7806 0

Singapore 65 6287 8998

Shanghai 86 21 62787060

China 86 755 33966678

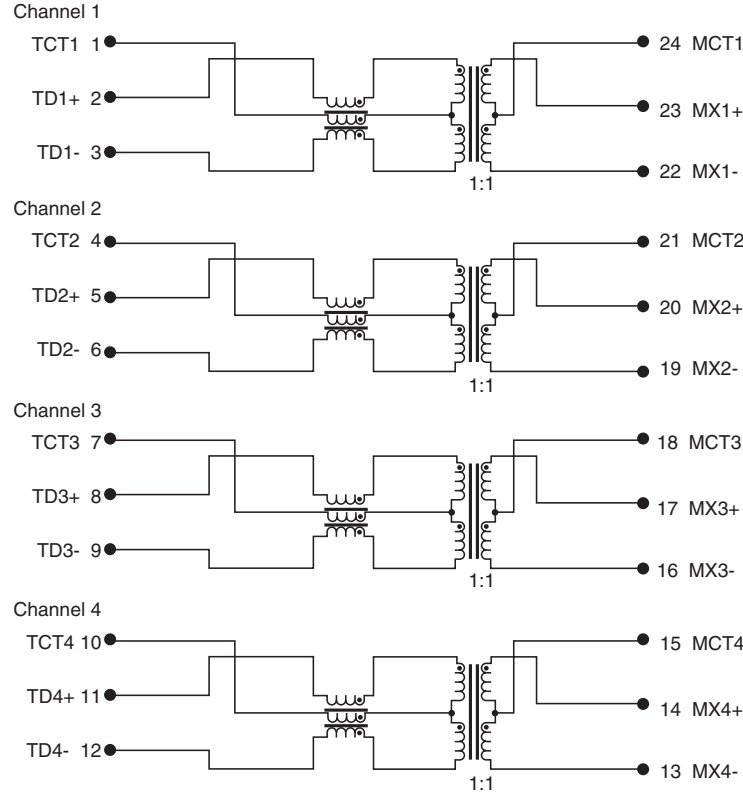
Taiwan 886 3 4356768

# 1000Base-T, Single Port Mini-Magnetics Modules

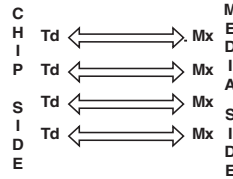
Designed to Support 1:1 Turns Ratio Transceivers

## Schematic

H5077NL, H5079NL



### LEGEND



## For More Information

**Pulse Worldwide Headquarters**  
12220 World Trade Drive  
San Diego, CA  
92128  
U.S.A.

Tel: 858 674 8100

**Pulse Europe**  
Einsteinstrasse 1  
D-71083 Herrenberg  
Germany

Tel: 49 7032 7806

**Pulse China Headquarters**  
B402, Shenzhen Academy of  
Aerospace Technology Bldg.  
10th Kejian Road  
High-Tech Zone  
Nanshan District  
Shenzhen, PR China  
518057

**Pulse North China**  
Room 2704/2705  
Super Ocean Finance  
Ctr.  
2067 Yan An Road  
West  
Shanghai 200336  
China

**Pulse South Asia**  
135 Joo Seng Road  
#03-02  
PM Industrial Bldg.  
Singapore 368363

Tel: 65 6287 8998  
Fax: 65 6287 8998

**Pulse North Asia**  
3F, No. 198  
Zhongyuan Road  
Zhongli City  
Taoyuan County 320  
Taiwan R. O. C.  
Tel: 886 3 4356768  
Fax: 886 3 4356823  
(Pulse)

Performance warranty of products offered on this data sheet is limited to the parameters specified. Data is subject to change without notice. Other brand and product names mentioned herein may be trademarks or registered trademarks of their respective owners. © Copyright, 2011. Pulse Electronics, Inc. All rights reserved.