

# PULSEJACK™






## 2xN PoE Plus Gigstack

### Description:



10/100/1000 Base-TX RJ45 2xN Integrated Magnetics Connector, designed for most leading PHY manufacturers, with the addition of power feeding over the signal pairs.



### Features and Benefits:

-  RoHS peak wave solder temperature rating 260°C
-  2xN RJ45 with internal magnetics
-  Suitable for CAT 3, 5, 6 UTP cable or better
-  Power over Ethernet Plus (PoE+) enabled - compatible to IEEE 802.3at standard
-  Internal magnetics are 100% electrically tested for HI-POT and functionality per IEEE802.3 requirement

### Electrical Performance Summary:

-  350µH minimum OCL with 24mA DC bias current
-  High performance for maximum EMI suppression

### Electrical Specifications @ 25°C — Operating Temperature 0°C to +70°C

RoHS Compliant Part Number (Number of Ports)	PoE Enabled	Turns Ratio (±2%)	Insertion Loss TX/RX (dB TYP)				Return Loss (dB TYP)			Crosstalk (dB TYP)			Common Mode Rejection		Hipot (Vdc MIN)
			1-100 MHz	1-40 MHz	60 MHz	100 MHz	100Ω (±15Ω)	1-10 MHz	30-60 MHz	60-100 MHz	1-10 MHz	10-150 MHz	1 MIN		
J0B-0384NL (2X4)	YES	1:1	-1.4	-18	-14	-10	-50	-41	-31	-50	-30	2250			
J0B-0386NL (2X6)	YES	1:1	-1.4	-18	-14	-10	-50	-41	-31	-50	-30	2250			
J0B-0388NL (2X8)	YES	1:1	-1.4	-18	-14	-10	-50	-41	-31	-50	-30	2250			

Note: Contact Pulse for LED options

### RJ45 Durability Test Rating

Part Number	Mating Force (MAX)	Unmating Force (MAX)	Durability	Plug to Jack Retention (MIN)
J0B Series	5 lbs./2.268 kgs.	5 lbs./2.268 kgs.	750 Insertions	20 lbs./9.072 kgs.

### RJ45 Material Specification

Part Number	Shield		Contact			Housing		MSL <sup>2</sup> Rating
	Material	Finish	Material	Plating Area	Solder Area	Material	Specification	
J0B Series	Brass	20-40µ inches thick nickel over brass	Phosphor Bronze	50µ inches gold over 30-50µ inches nickel	Tin matte finish over nickel	Thermoplastic	UL 94 V-0	1

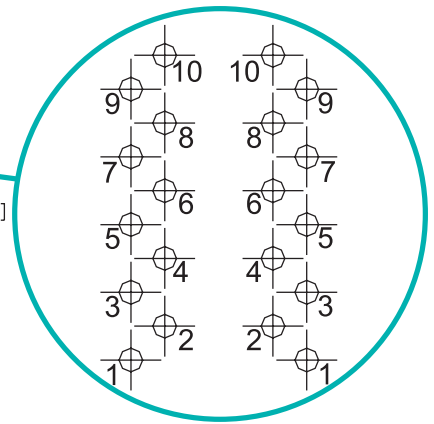
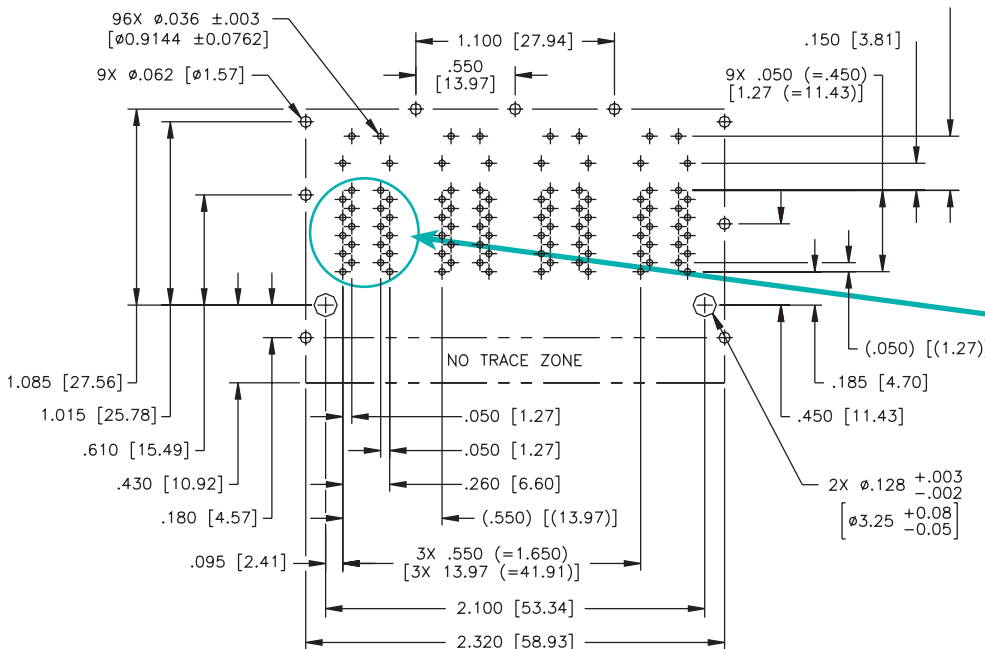
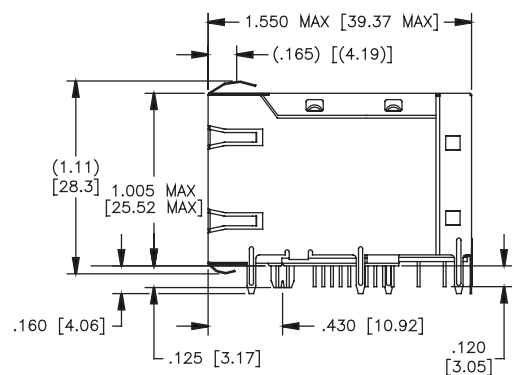
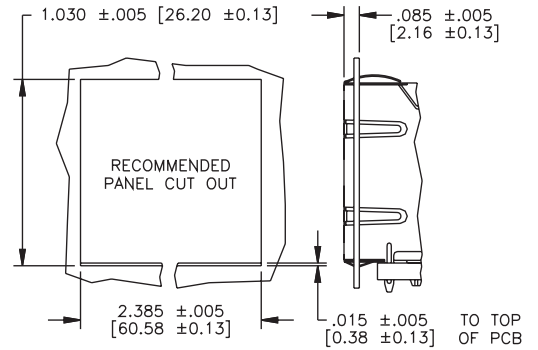
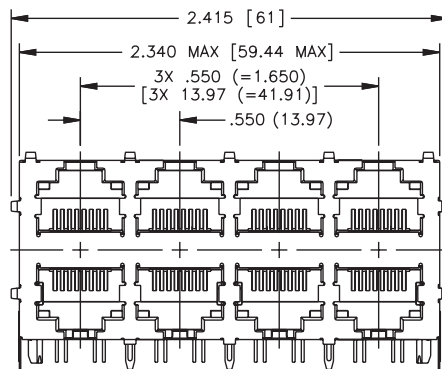
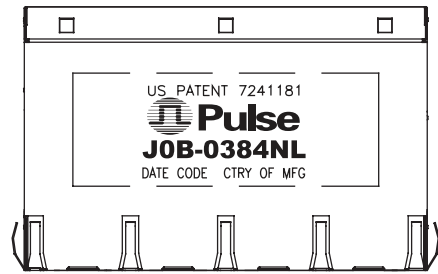
#### NOTES:

1. Connector dimensions comply with FCC dimension requirements..

2. MSL - Moisture Sensitivity Level class limits = 1

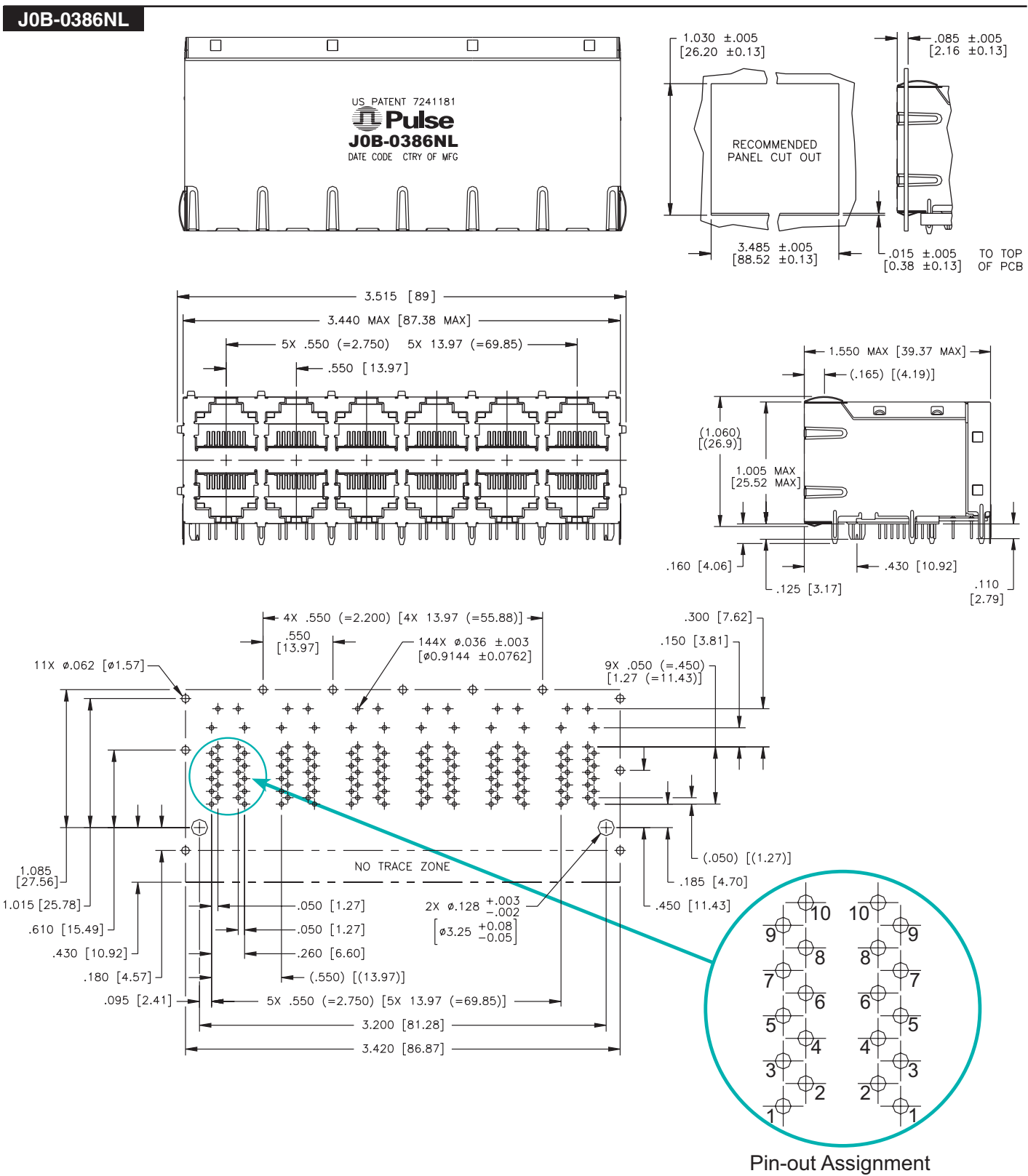
### 2X4 Mechanicals (No LEDs)

**JOB-0384NL**



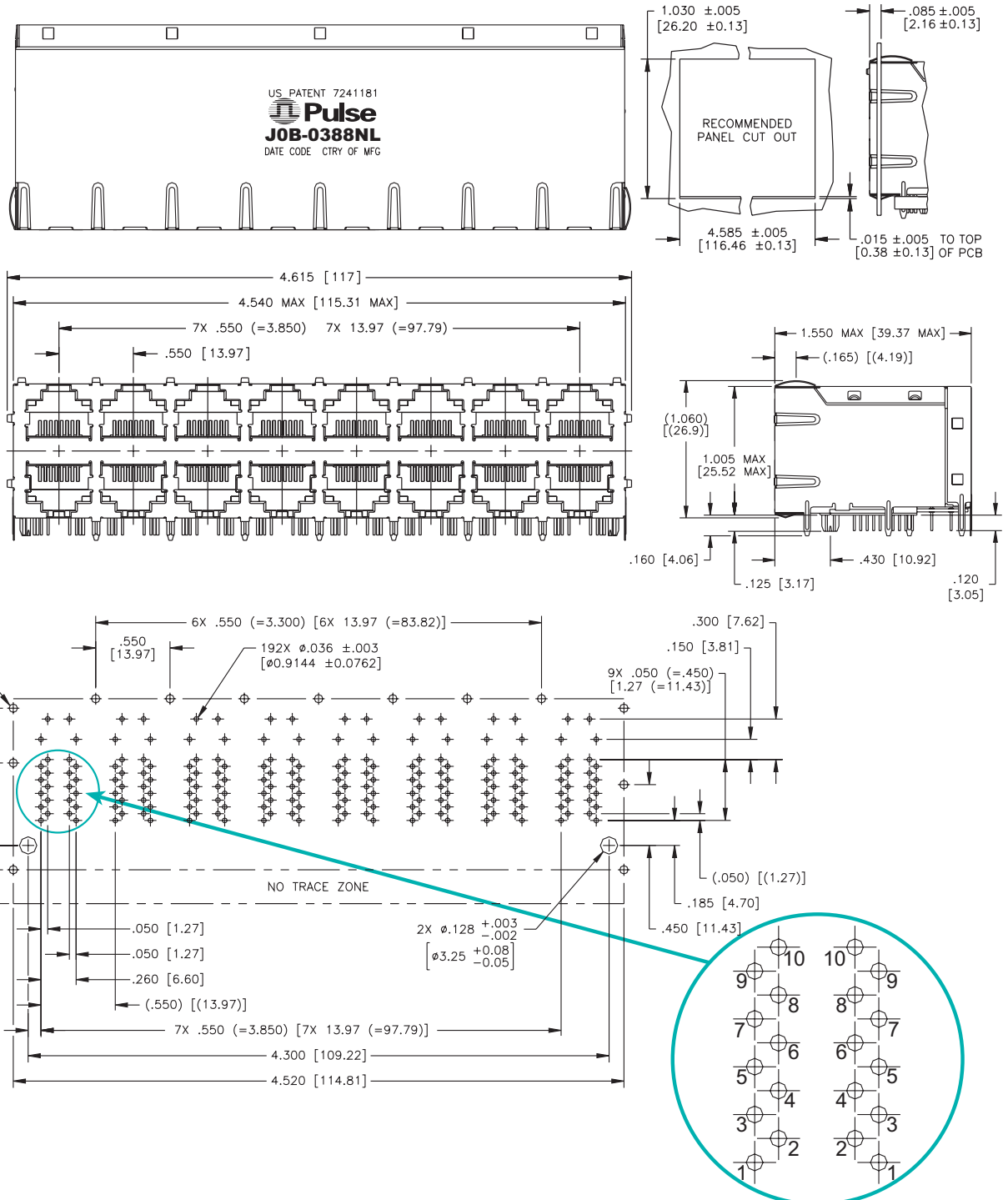
Pin-out Assignment

### 2X6 Mechanicals (No LEDs)



### 2X8 Mechanicals (No LEDs)

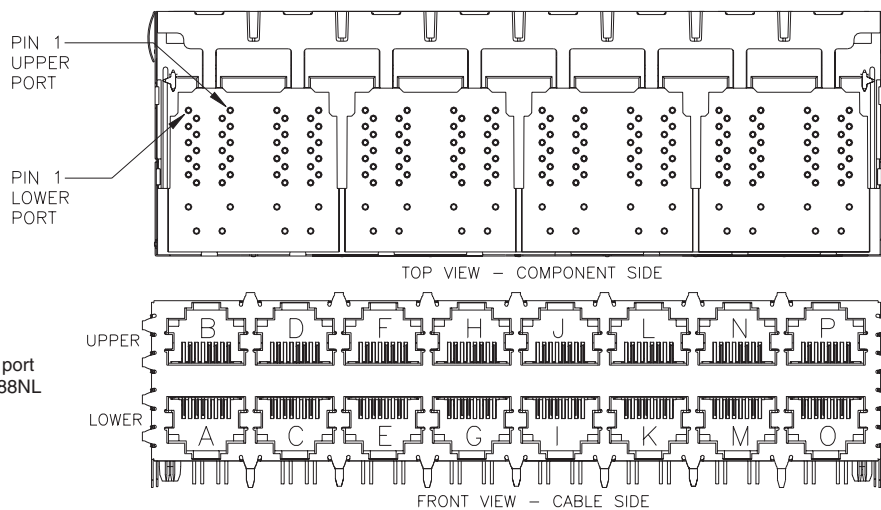
**JOB-0388NL**



Pin-out Assignment

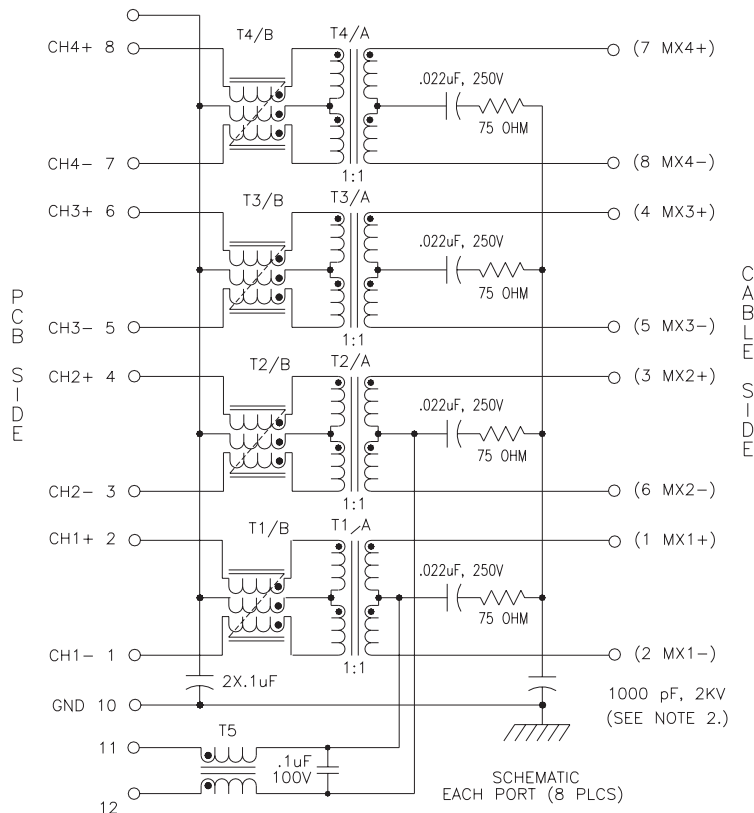
### Pin-out Assignment

**J0B-0384NL/86NL/88NL**



**NOTE:** All parts use the same port identification system. J0B-0388NL (2x8) shown here.

### Schematic



### For More Information:

**Pulse Worldwide Headquarters**  
12220 World Trade Dr.  
San Diego, CA 92128  
U.S.A.

**Pulse Europe**  
Zeppelinstrasse 15  
D-71083 Herrenberg  
Germany

**Pulse China Headquarters**  
B402, Shenzhen Academy of  
Aerospace Technology Bldg.  
10th Kejinan Rd.  
High-Tech Zone  
Nanshan District  
Shenzhen, PR China 518057

**Pulse North China**  
Room 2704/2705  
Super Ocean Finance Ctr.  
2067 Yan An Rd. West  
Shanghai 200336  
China

**Pulse South Asia**  
135 Joo Seng Rd.  
#03-02  
PM Industrial Bldg.  
Singapore 368363

**Pulse North Asia**  
3F, No. 198  
Zhongyuan Rd.  
Zhongli City  
Taoyuan County 320  
Taiwan R. O. C.

www.pulseeng.com  
Tel: 858 674 8100  
Fax: 858 674 8262

Tel: 49 7032 7806 0  
Fax: 49 7032 7806 135

Tel: 86 755 33966678  
Fax: 86 755 33966700

Tel: 86 21 62787060  
Fax: 86 2162786973

Tel: 65 6287 8998  
Fax: 65 6287 8998

Tel: 886 3 4356768  
Fax: 886 3 4356823 (Pulse)  
Fax: 886 3 4356820 (FRE)

Performance warranty of products offered on this data sheet is limited to the parameters specified. Data is subject to change without notice. Other brand and product names mentioned herein may be trademarks or registered trademarks of their respective owners. © Copyright, 2010. Pulse Engineering, Inc. All rights reserved.