

SMT GATE DRIVE TRANSFORMERS

1500VDC Basic and Operational Insulation



- Storage Temperature: -55°C to +130°C
- 500Vdc isolation between gate and drive.
- Basic insulation(1.4mm creepage/clearance) and operational available.
- Maximum Reflow Temperature: 235°C (245°C for RoHS compliant)
- Moisture Sensitivity Level (MSL): 1

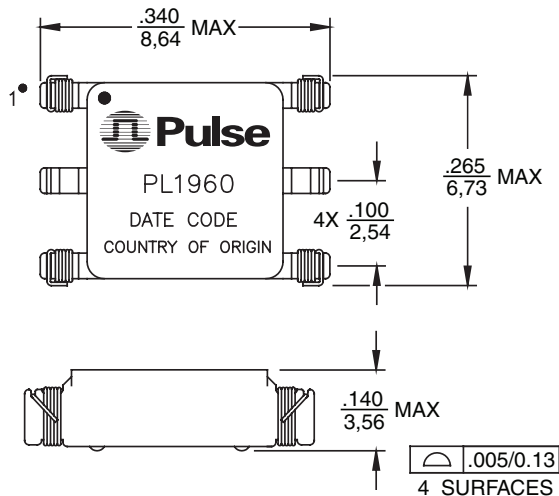
Electrical Specifications @ 25°C — Operating Temperature -40°C to +130°C⁵

Part Number	Turns Ratio	Pri-Sec Insulation (Vdc)	MAX (V* usec)	Primary Inductance (uH MIN)	Leakage Inductance (uH MAX)	DCR Primary (Ω MAX)	DCR Secondary (Ω MAX)	Package Size
PL1960	1:1	1500.00	9.700	785.0	0.46	0.60	0.6	8.6x6.7x2.5

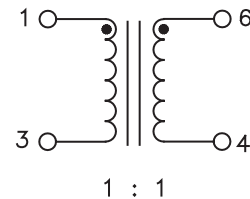
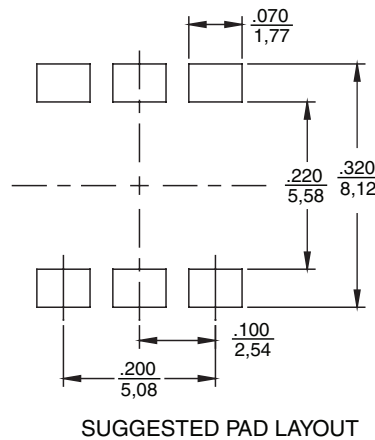
NOTES:

1. The maximum volt-µsec rating limits the peak flux density to 2200 Gauss when used in a unipolar drive application. For bi-polar drive applications a maximum volt-µsec of two times this rating is acceptable (ie: 2* (volt*µsec rating) Volt*µsec = (voltage applied to the primary) * dutycycle / Frequency = V * alpha / Freq_Hz = V * µsec
2. Leakage inductance is measured at primary terminals with all secondaries shorted.
3. Optional Tape & Reel packaging can be ordered by adding a "T" suffix to the part number (i.e. P0544NL becomes P0544NLT). Pulse complies to industry standard tape and reel specification EIA481.
4. The "NL" suffix indicates an RoHS-compliant part number. Non-NL suffixed parts are not necessarily RoHS compliant, but are electrically and mechanically equivalent to NL versions. If a part number does not have the "NL" suffix, but an RoHS compliant version
5. The temperature of the component (ambient plus temperature rise) must be within the stated operating temperature range.

Mechanical



Schematic



Weight 0.28 grams
 Tape & Reel 1500/reel
 Tube60/tube

Dimensions: $\frac{\text{Inches}}{\text{mm}}$
 Unless otherwise specified,
 all tolerances are $\pm \frac{.010}{0,25}$

For More Information:

Pulse Worldwide Headquarters
 Two Pearl Buck Court
 Bristol, PA 19007
 U.S.A.

Pulse Europe
 Einsteinstrasse 1
 D-71083 Herrenberg
 Germany

Pulse China Headquarters
 B402, Shenzhen Academy of
 Aerospace Technology Bldg.
 10th Kejian Rd.
 High-Tech Zone
 Nanshan District
 Shenzhen, PR China 518057
 Tel: 86 755 33966678
 Fax: 86 755 33966700

Pulse North China
 Room 2704/2705
 Super Ocean Finance Ctr.
 2067 Yan An Rd. West
 Shanghai 200336
 China
 Tel: 86 21 62787060
 Fax: 86 2162786973

Pulse South Asia
 135 Joo Seng Rd.
 #03-02
 PM Industrial Bldg.
 Singapore 368363
 Tel: 65 6287 8998
 Fax: 65 6280 0080

Pulse North Asia
 No. 26, Kao Ching Rd.
 Yang Mei Chen
 Taoyuan Hsien
 Taiwan
 R. O. C.
 Tel: 886 3 4643715
 Fax: 886 3 4641911

www.pulseeng.com

Tel: 215 781 6400
 Fax: 215 781 6403

Tel: 49 7032 7806 0
 Fax: 49 7032 7806 135

Performance warranty of products offered on this data sheet is limited to the parameters specified. Data is subject to change without notice. Other brand and product names mentioned herein may be trademarks or registered trademarks of their respective owners. © Copyright, 2010. Pulse Engineering, Inc. All rights reserved.