

SMT COMMON MODE CHOKES

Military/Aerospace SLIC Series



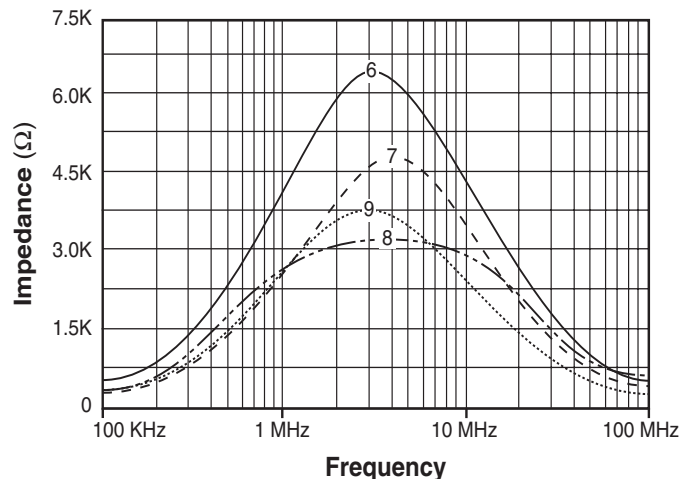
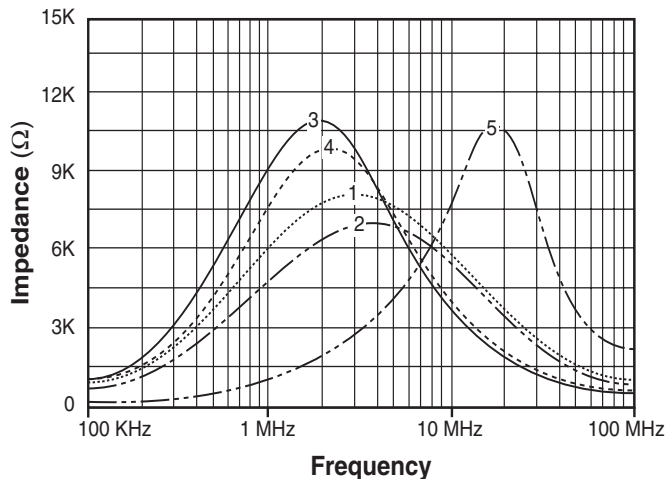
- ➊ Enhanced SLIC platform for Military/Aerospace applications
- ➋ Solutions based on impedance, size and current
- ➌ Designed for DC/DC converters
- ➍ Wide variety of inductor sizes and current ratings available
- ➎ Dielectric strength: 1000V_{RMS}

Electrical Specifications @ 25°C — Operating Temperature -55°C to +130°C¹

Part ^{2,3} Number	Inductance (mH ±35%)	I _{rated} (A)	DCR (MAX) (mΩ)	Curve (see # below)	Package	Weight (Grams)	Quantity In Tube	Quantity In Reel
PL8200	0.47	14.0	8	9	Big Foot	14.8	15	75
PL8201	0.63	11.6	10	7	Big Foot	14.3	20	75
PL8202	0.81	9.70	14	6	Big Foot	13.5	20	75
PL8203	0.53	7.20	15	8	HCCI-68	7.7	15	100
PL8204	0.59	5.60	21	7	LCCI-50	5.2	30	200
PL8205	0.77	4.70	40	6	LCCI-50	4.9	30	200
PL8206	0.22	3.30	60	5	LCCI-50	4.7	30	200
PL8207	1.32	3.30	60	4	LCCI-50	4.6	30	200
PL8208	1.47	2.80	80	3	LCCI-50	4.3	30	200
PL8209	0.88	1.63	110	2	Polecat	1.5	40	500
PL8210	1.17	1.22	200	1	Polecat	1.4	40	500

- NOTE:**
1. The temperature of the component (ambient plus temperature rise) must be within the stated operating temperature range.
 2. Optional Tape & Reel packaging can be ordered by adding a "T" suffix to the part number (i.e. PL8200 becomes PL8200T). Pulse complies to industry standard tape and reel specification EIA481.
 3. To order RoHS compliant part, add "NL" to the part number (i.e. PL8200 becomes PL8200NL and PL8200T becomes PL8200NLT).

Impedance Curves



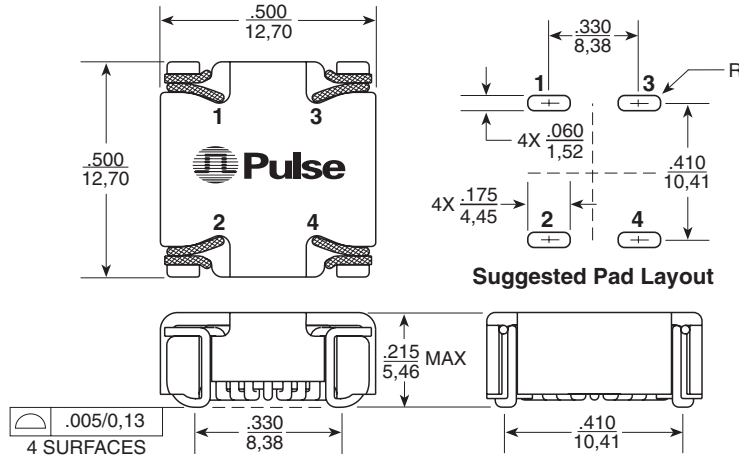
SMT COMMON MODE CHOKES

Military/Aerospace SLIC Series

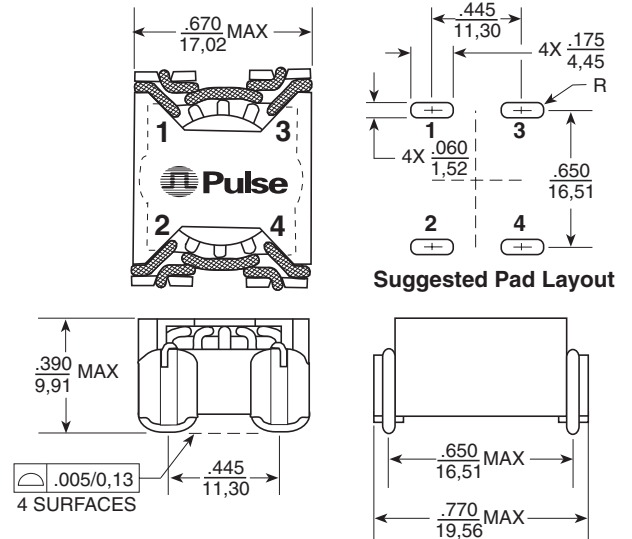


Mechanicals

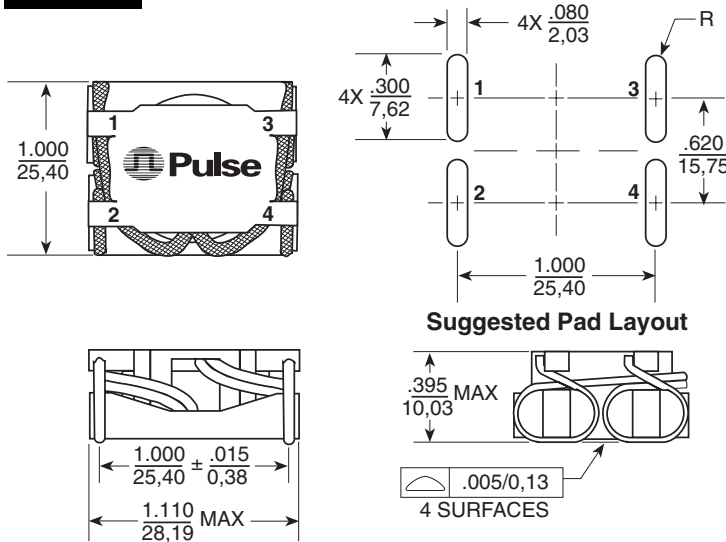
Polecat



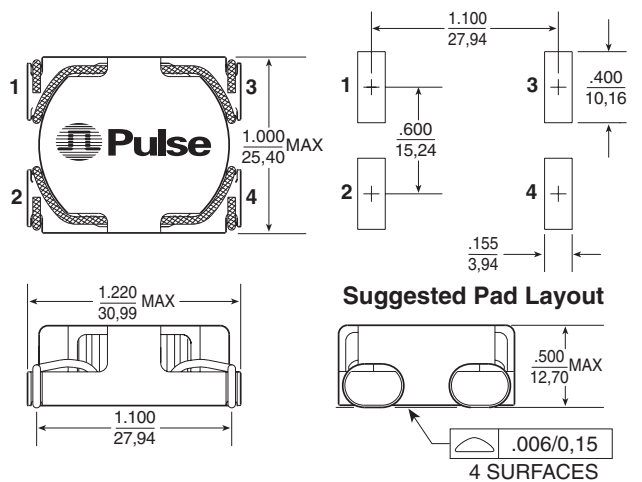
LCCI-50



HCCI-68



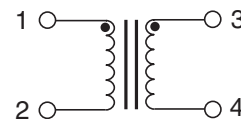
Big Foot



Dimensions: $\frac{\text{Inches}}{\text{mm}}$

Unless otherwise specified, all tolerances are $\pm \frac{.005}{0,13}$

Schematic



For More Information:

Pulse Worldwide Headquarters
2 Pearl Buck Court
Bristol, PA 19007
U.S.A.
www.pulseeng.com

Pulse European Headquarters
Einsteinstrasse 1
D-71083 Herrenberg
Germany

Pulse China Headquarters
B402, Shenzhen Academy of
Aerospace Technology Bldg.
10th Kejinan Rd.
High-Tech Zone
Nanshan District
Shenzen, PR China 518057

Pulse North China
Room 1503
XinYin Building
No. 888 YiShan Rd.
Shanghai 200233
China

Pulse South Asia
150 Kampong Ampat
#07-01/02
KA Centre
Singapore 368324

Pulse North Asia
No. 26
Kao Ching Rd.
Yang Mei Chen
Taoyuan Hsien
Taiwan, R. O. C.
32667

Tel: 215 781 6400
Fax: 215 781 6403

TEL: 49 7032 7806 0
FAX: 49 7032 7806 12

TEL: 86 755 33966678
FAX: 86 755 33966700

TEL: 86 21 32181071
FAX: 86 21 32181396

TEL: 65 6287 8998
FAX: 65 6280 0080

TEL: 886 3 4643715
FAX: 886 3 4641911

Performance warranty of products offered on this data sheet is limited to the parameters specified. Data is subject to change without notice. Other brand and product names mentioned herein may be trademarks or registered trademarks of their respective owners. © Copyright, 2008. Pulse Engineering, Inc. All rights reserved.