

SMT Gate Drive Transformer

1500Vdc Basic and Operational Insulation



- Maximum Reflow Temperature: +235°C
- Storage Temperature: -55°C to +125°C
- Moisture Sensitivity Level (MSL): 3
- 1500 V_{DC} isolation between Gate and Drive
- Basic Insulation (1.4mm creepage/clearance) and operational available
- Part designed for rugged environments
- Construction techniques assure excellent resistance to vibration and shock
- Operating frequency: 50kHz and up
- Tape and Reel packaging available

Electrical Specifications @ 25°C — Operating Temperature -40°C to +130°C

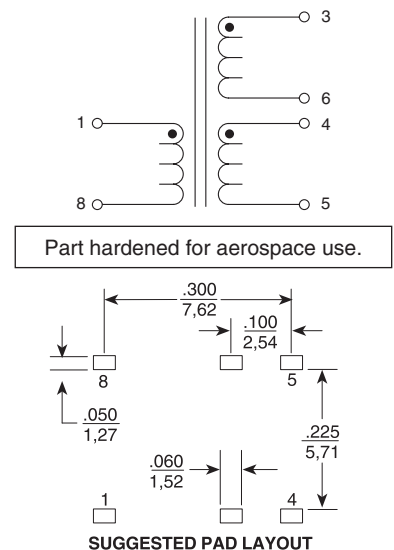
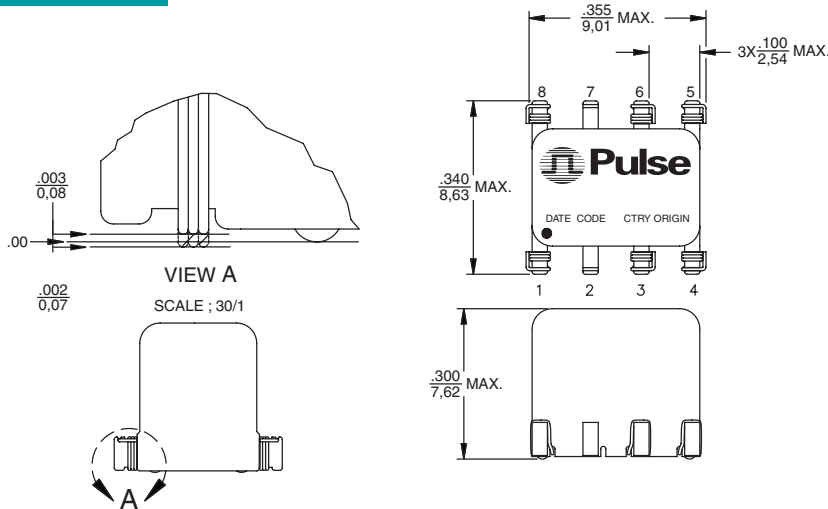
Part Number	Turns Ratio	Pri-Sec Isolation (V _{DC})	MAX ¹ V*μsec	Primary Inductance (mH MIN)	Leakage ² Inductance (μH MAX)	DCR Primary (Ω MAX)	DCR Secondary (Ω MAX)	Package Size (L x W x H) (mm MAX)
X-1569	1:1	1500	45.1	3.3	0.700	1.6	1.6	9.0 x 8.6 x 7.6

- NOTES: 1. The maximum volt-sec rating limits the flux density to 2200 Gauss when used in a unipolar drive application. For bi-polar drive applications a maximum volt-sec of two times this rating is acceptable. (2*(volt*μsec ratio))
 2. Leakage Inductance is measured at the primary terminals with all secondaries shorted.
 3. Add suffix "T" to part number for Tape & Reel package.
 4. To order a RoHS compliant part, add the suffix "NL" to the part number, i.e. X-1569 becomes X-1569NL.

Electrical Schematic

Schematic

X-1569



For More Information

Pulse Worldwide Headquarters

Two Pearl Buck Court
Bristol, PA 19007
U.S.A.

Pulse Europe

Zeppelinstrasse 15
71083 Herrenberg
Germany

Pulse China Headquarters

B402, Shenzhen Academy of
Aerospace Technology Bldg.
10th Kejianan Road
High-Tech Zone
Nanshan District
Shenzhen, PR China 518057
Tel: 86 755 33966678
Fax: 86 755 33966700

Pulse North China

Room 2704/2705
Super Ocean Finance Ctr.
2067 Yan An Road West
Shanghai 200336
China

Tel: 86 21 62787060
Fax: 86 2162786973

Pulse South Asia

135 Joo Seng Road
#03-02
PM Industrial Bldg.
Singapore 368363

Tel: 65 6287 8998
Fax: 65 6287 8998

Pulse North Asia

3F No. 198, Zhongyuan Road
Zhongli City
Taoyuan County (32068)
Taiwan

Tel: 886 3 4356768
Fax: 886 3 4356823

Tel: 215 781 6400
Fax: 215 781 6403

Tel: 49 7032 7806 0
Fax: 49 7032 7806 12

Performance warranty of products offered on this data sheet is limited to the parameters specified. Data is subject to change without notice. Other brand and product names mentioned herein may be trademarks or registered trademarks of their respective owners. © Copyright, 2013. Pulse Electronics, Inc. All rights reserved.