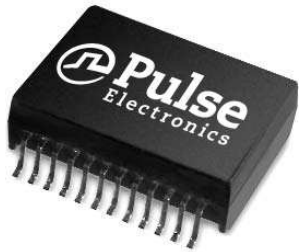


10/100BASE-TX DUAL-PORT TRANSFORMER MODULES

Military/Aerospace Grade



- Compliant with IEEE 802.3u and ANSI X3.263 standards
- 350µH OCL with 8mA bias
- Operating and storage temperature:
100B-2002: -40°C to +85°C
100B-2002X: -55°C to +125°C
- Encapsulated package withstands 235°C peak temperature profile
- MSL: 3**
- Lead Finish: Sn63 Pb37

Electrical Specifications @ 25°C — Operating Temperature 0°C to 70°C

Part Number	Insertion Loss (dB MAX)	Return Loss (dB MAX)				Crosstalk (dB MIN)				DM to CM Rejection Ratio (dB MAX)		
	0.1-100MHz	2-30MHz	40MHz	50MHz	60-80MHz	1MHz	30MHz	60MHz	100MHz	1-60MHz	60-200MHz	60-100MHz
100B-2002	-1.20	-18	-16	-15	-12	-50	-43	37	-33	-43	-37	-33
100B-2002X	-1.20	-18	-16	-15	-12	-50	-43	37	-33	-43	-37	-33

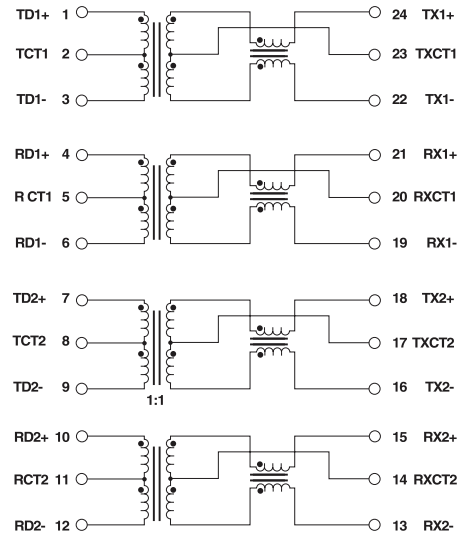
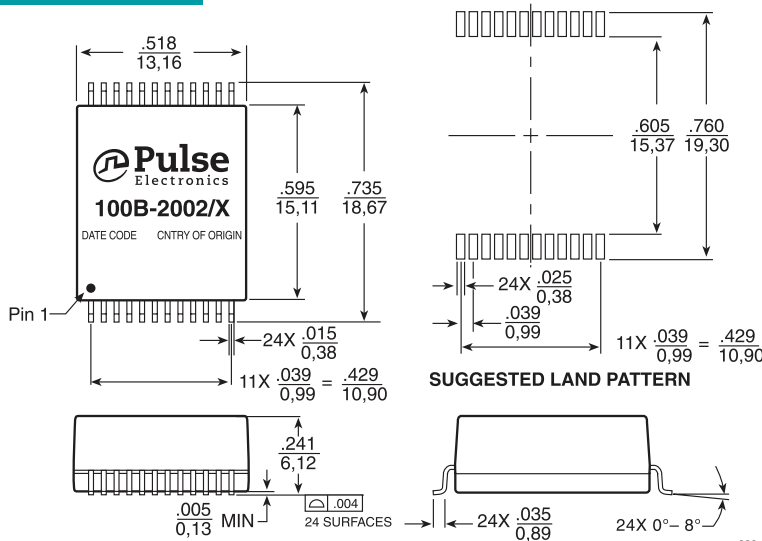
Notes: 1. Optional Tape & Reel packaging can be ordered by adding a "T" suffix to the part number (i.e. 100B-2002 becomes 100B-2002T). Pulse complies to industry standard tape and reel specification EIA481.

2. Suffix "NL" for RoHS (Sn100 Lead Finish); i.e. 100B-2002NL

Mechanical

Schematic

100B-2002/X



Weight.....3.0 grams
 Tape & Reel......300/reel
 PanTube......25/tube

Dimensions: Inches/mm

Unless otherwise specified, all tolerances are ±.010/0,25

For More Information

Pulse North America Headquarters
 Two Pearl Buck Court
 Bristol, PA 19007
 U.S.A.

Pulse Europe
 Zeppelinstrasse 15
 71083 Herrenberg
 Germany

Pulse China Headquarters
 B402, Shenzhen Academy of
 Aerospace Technology Bldg.
 10th Kejian Road
 High-Tech Zone
 Nanshan District
 Shenzhen, PR China 518057
 Tel: 86 755 33966678
 Fax: 86 755 33966700

Pulse North China
 Room 2704/2705
 Super Ocean Finance Ctr.
 2067 Yan An Road West
 Shanghai 200336
 China
 Tel: 86 21 62787060
 Fax: 86 21 62786973

Pulse South Asia
 135 Joo Seng Road
 #03-02
 PM Industrial Bldg.
 Singapore 368363

Pulse North Asia
 3F No. 198, Zhongyuan Road
 Zhongli City
 Taoyuan County (32068)
 Taiwan
 Tel: 886 3 4356768
 Fax: 886 3 4356823

Tel: 215 781 6400
 Fax: 215 781 6403

Tel: 49 7032 7806 0
 Fax: 49 7032 7806 12

Tel: 65 6287 8998
 Fax: 65 6287 8998

Performance warranty of products offered on this data sheet is limited to the parameters specified. Data is subject to change without notice. Other brand and product names mentioned herein may be trademarks or registered trademarks of their respective owners. © Copyright, 2013. Pulse Electronics, Inc. All rights reserved.