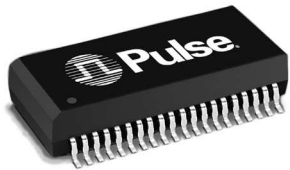
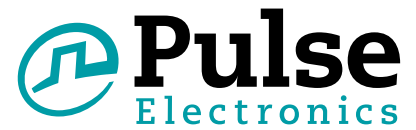


10/100BASE-TX QUAD-PORT TRANSFORMER MODULES

Military/Aerospace Grade



- Compliant with IEEE 802.3u and ANSI X3.263 standards
- Max Reflow Temperature: 235°C
- MSL: 3
- 350µH OCL with 8mA bias
- Operating and storage temperature:
 - 100B-4005:** -40°C to +85°C
 - 100B-4005X:** -55°C to +125°C
- IC grade transfer-molded package withstands 235°C peak temperature profile

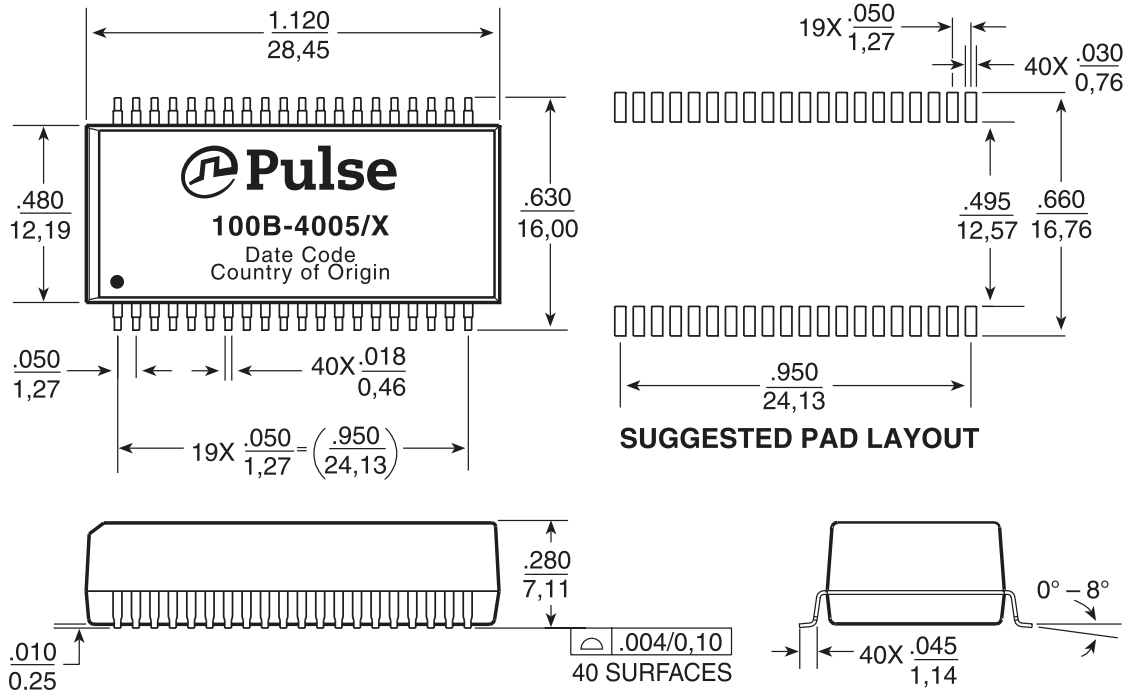
Electrical Specifications @ 25°C

Part Number	Insertion Loss (dB MIN)	Return Loss (dB MAX)				Crosstalk (dB MAX)				Differential to Common Mode Rejection (dB MAX)		
		0.1-100 MHz	2-30 MHz	50 MHz	60 MHz	80 MHz	16 MHz	30 MHz	60 MHz	80 MHz	0.1-30 MHz	30-60 MHz
100B-4005	-1.00	-18	-14	-12	-12	-54	-50	-46	-44	TX: -49 RX: -52	TX: -44 RX: -49	TX: -40 RX: -42
100B-4005X	-1.20	-18	-14	-12	-10	-48	-42	-38	-33	TX: -45 RX: -45	TX: -40 RX: -40	TX: -38 RX: -35

Note: Add suffix NL for RoHS compliant part i.e. 100B-4005XNL

Mechanical

100B-4005/X

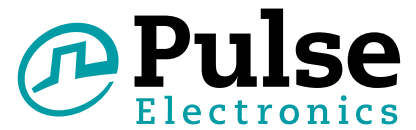


Weight 4.0 grams TYP
Tape and Reel250/reel
Tray 15/tray

Dimensions: Inches
mm
Unless otherwise specified, all tolerances are ± .010
0.25

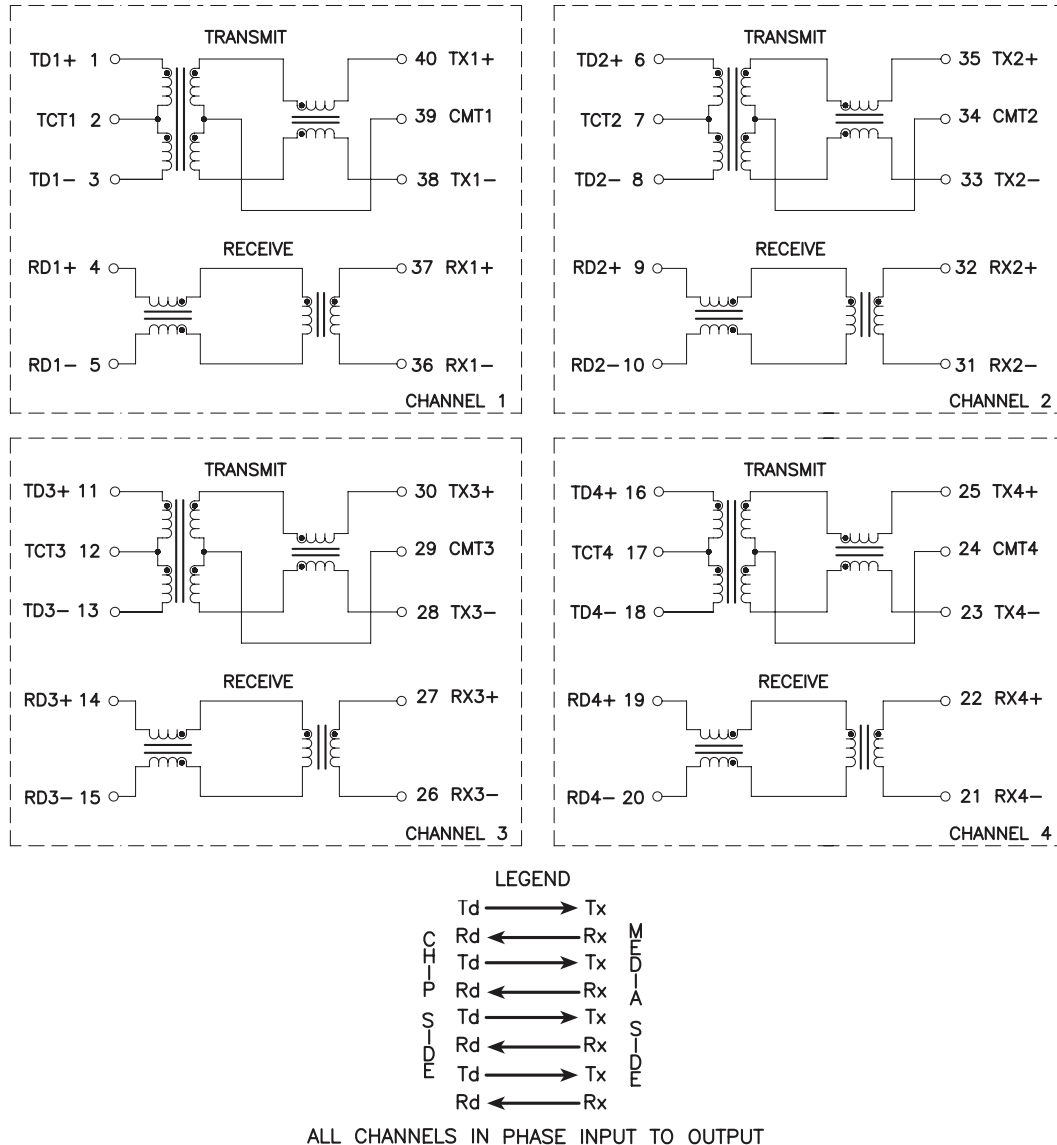
10/100BASE-TX QUAD-PORT TRANSFORMER MODULES

Military/Aerospace Grade



Schematic

100B-4005/X



For More Information

Pulse North America Headquarters
Two Pearl Buck Court
Bristol, PA 19007
U.S.A.

Tel: 215 781 6400
Fax: 215 781 6403

Pulse Europe
Zeppelinstrasse 15
71083 Herrenberg
Germany

Tel: 49 7032 7806 0
Fax: 49 7032 7806 12

Pulse China Headquarters
B402, Shenzhen Academy of
Aerospace Technology Bldg.
10th Kejinan Road
High-Tech Zone
Nanshan District
Shenzhen, PR China 518057
Tel: 86 755 33966678
Fax: 86 755 33966700

Pulse North China
Room 2704/2705
Super Ocean Finance Ctr.
2067 Yan An Road West
Shanghai 200336
China
Tel: 86 21 62787060
Fax: 86 2162786973

Pulse South Asia
135 Joo Seng Road
#03-02
PM Industrial Bldg.
Singapore 368363
Tel: 65 6287 8998
Fax: 65 6287 8998

Pulse North Asia
3F, No. 198
Zhongyuan Road
Zhongli City
Taoyuan County 320
Taiwan R. O. C.
Tel: 886 3 4356768
Fax: 886 3 4356823 (Pulse)
Fax: 886 3 4356820 (FRE)

Performance warranty of products offered on this data sheet is limited to the parameters specified. Data is subject to change without notice. Other brand and product names mentioned herein may be trademarks or registered trademarks of their respective owners. © Copyright, 2013. Pulse Electronics, Inc. All rights reserved.