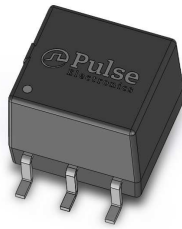


COMMON MODE CHOKE

For Telecom Applications, Extended Temperature Range
Military/Aerospace Grade



- Low-profile small surface mount package
- Optimized for radiated emissions to improve noise immunity
- Operating and storage temperature:** -55°C to +125°C
- MSL:** 3
- Max Reflow Temp:** 235°C
- Lead Finish is Sn63/Pb37**

Electrical Specifications 25°C

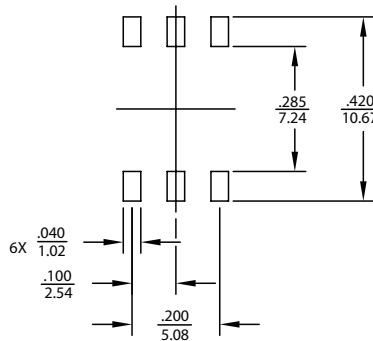
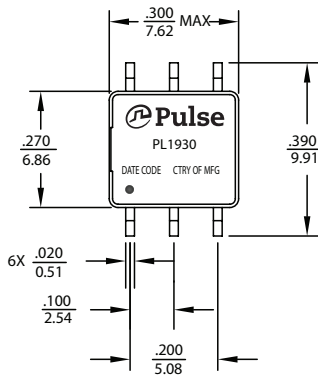
Part Number	Common Mode Attenuation (dB MIN)				Primary Inductance OCL (μH MIN)	DCR (Ω Max)
	1MHz	10MHz	100MHz	500MHz		
PL1930	-10.0	-15.0	-12.0	-5.0	35	0.15

Notes: Please add suffix "T" to part number for Tape and Reel Packaging (i.e. PL1930T)

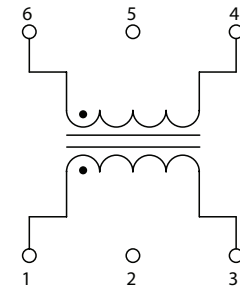
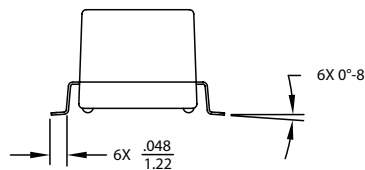
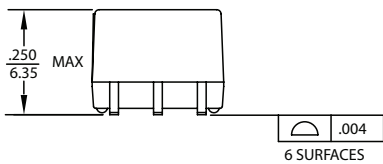
Mechanical

Schematic

X-1657



SUGGESTED LAND PATTERN



Weight 0.6 grams
Tube 70/tube
Tape & Reel 500/reel

Dimensions: Inches
mm
Unless otherwise specified, all tolerances are ± .010
0,25

For More Information

Pulse North America Headquarters
Two Pearl Buck Court
Bristol, PA 19007
U.S.A.

Pulse Europe
Zeppelinstrasse 15
71083 Herrenberg
Germany

Pulse China Headquarters
B402, Shenzhen Academy of
Aerospace Technology Bldg.
10th Kejian Road
High-Tech Zone
Nanshan District
Shenzhen, PR China 518057
Tel: 86 755 33966678
Fax: 86 755 33966700

Pulse North China
Room 2704/2705
Super Ocean Finance Ctr.
2067 Yan An Road West
Shanghai 200336
China
Tel: 86 21 62787060
Fax: 86 21 62786973

Pulse South Asia
135 Joo Seng Road
#03-02
PM Industrial Bldg.
Singapore 368363
Tel: 65 6287 8998
Fax: 65 6287 8998

Pulse North Asia
3F No. 198, Zhongyuan Road
Zhongli City
Taoyuan County (32068)
Taiwan
Tel: 886 3 4356768
Fax: 886 3 4356823

Tel: 215 781 6400
Fax: 215 781 6403

Tel: 49 7032 7806 0
Fax: 49 7032 7806 12

Performance warranty of products offered on this data sheet is limited to the parameters specified. Data is subject to change without notice. Other brand and product names mentioned herein may be trademarks or registered trademarks of their respective owners. © Copyright, 2013. Pulse Electronics, Inc. All rights reserved.