



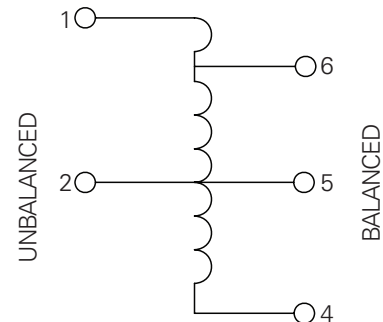
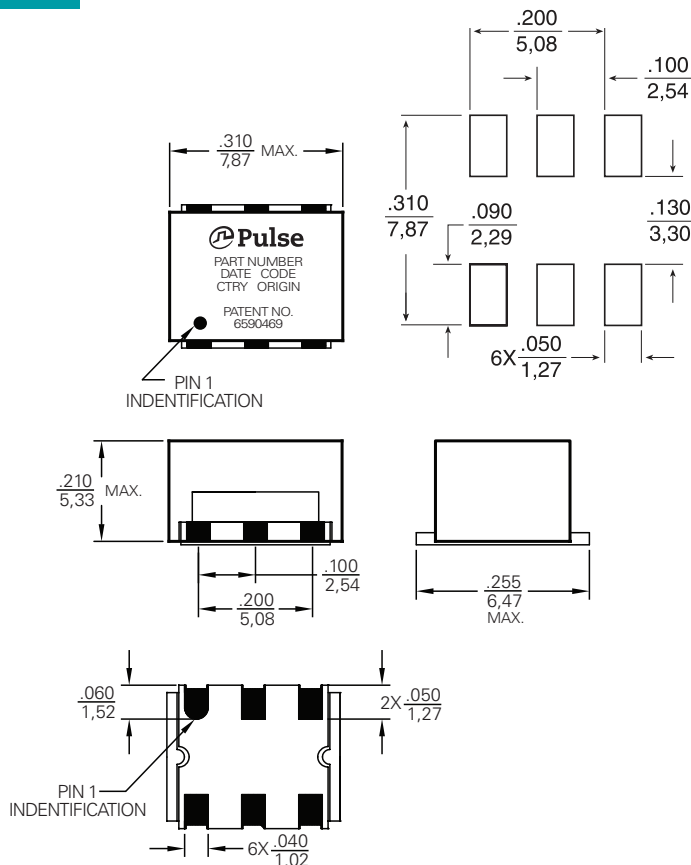
- Transforms a balanced differential signal to a 50 Ω or 75 Ω, Grounded unbalanced signal
- Wide bandwidth 1.0 MHz – 1.485 GHz
- Operating Temperature -40°C to 85°C

Characteristics				
Part Number	Impedance Unbalanced	Impedance Balanced	Insertion Loss (dB MAX) 1.0 MHz - 1.485 GHz	Return Loss (dB MIN) 1.0 MHz - 1.485 GHz
T-050150	50	150	-2	12 dB
T-050100	50	100	-2	12 dB
T-050078	50	78	-2	12 dB
T-075100	75	100	-2	12 dB

Mechanical

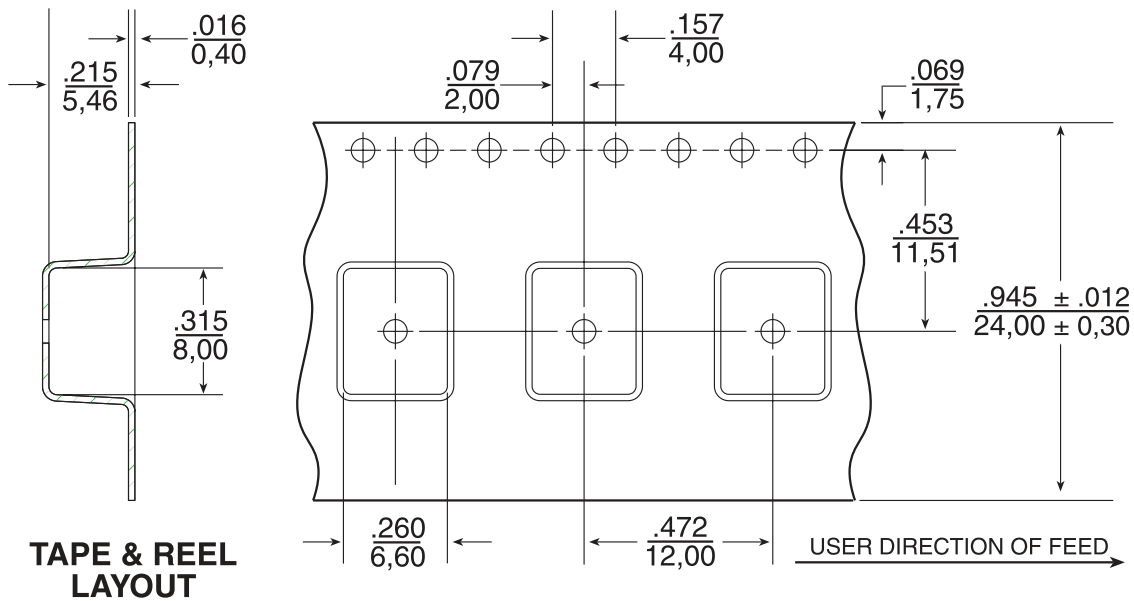
Schematic

T-050XXX1



Tape & Reel Specifications

T-050XXX1



For More Information

Pulse North America Headquarters
Two Pearl Buck Court
Bristol, PA 19007
U.S.A.

Tel: 215 781 6400
Fax: 215 781 6403

Pulse Europe
Zeppelinstrasse 15
71083 Herrenberg
Germany

Tel: 49 7032 7806 0
Fax: 49 7032 7806 12

Pulse China Headquarters
B402, Shenzhen Academy of
Aerospace Technology Bldg.
10th Kejinan Road
High-Tech Zone
Nanshan District
Shenzhen, PR China 518057

Tel: 86 755 33966678
Fax: 86 755 33966700

Pulse North China
Room 2704/2705
Super Ocean Finance Ctr.
2067 Yan An Road West
Shanghai 200336
China

Tel: 86 21 62787060
Fax: 86 2162786973

Pulse South Asia
135 Joo Seng Road
#03-02
PM Industrial Bldg.
Singapore 368363

Tel: 65 6287 8998
Fax: 65 6287 8998

Pulse North Asia
3F No. 198, Zhongyuan Road
Zhongli City
Taoyuan County (32068)
Taiwan

Tel: 886 3 4356768
Fax: 886 3 4356823

Performance warranty of products offered on this data sheet is limited to the parameters specified. Data is subject to change without notice. Other brand and product names mentioned herein may be trademarks or registered trademarks of their respective owners. © Copyright, 2013. Pulse Electronics, Inc. All rights reserved.