

Switch Mode Transformers

Toroid Platform SMD



- Push Pull Converter Transformer
- Compatible with MAXIM™ MAX253 to isolate RS-485/RS232 and other industrial bus transceivers
- Compact and cost effective industrial design

Electrical Specifications @ 25°C - Operating Temperature -40°C to +125°C

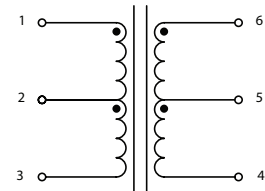
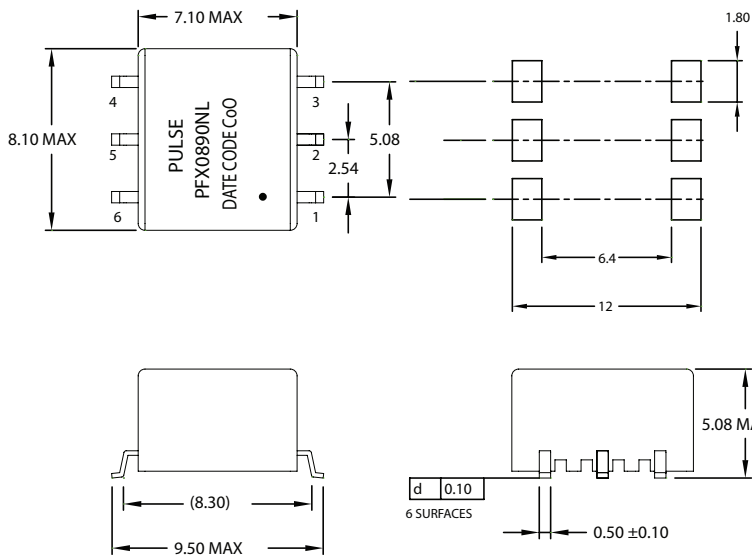
Part Number ^{2,3}	Inductance (1-3) (mH ±35%)	DCR (1-3) (Ω MAX)	MAX (1-3) ¹ (V-μsec)	Turns Ratio	Isolated Voltage (Vrms)
PFX0890NL	1.02	0.60	18.4	3:4	2000

- Notes:**
- The maximum volt-usec rating limits the peak flux density to 3600 gauss when used in bi-polar drive application with 200KHz. For unipolar drive applications or a bi-polar drive with 350KHz, a maximum volt-usec could be 60% of the listed value.
 - Optional Tape & Reel packing can be ordered by adding a "T" suffix to the part number. Pulse complies to industry standard tape and reel specification EIA481.
 - Other turns ratios available on request.

Mechanical

Schematic

PFX0890NL



Weight0.365grams
Tape & Reel700/reel
Tray55/tray

Dimensions: $\frac{\text{Inches}}{\text{mm}}$

Unless otherwise specified,
all tolerances are $\pm \frac{.010}{0,25}$

For More Information

Pulse Worldwide Headquarters
12220 World Trade Drive
San Diego, CA 92128
U.S.A.

Pulse Europe
Einsteinstrasse 1
D-71083 Herrenberg
Germany

Pulse China Headquarters
B402, Shenzhen Academy of
Aerospace Technology Bldg.
10th Kejinan Road
High-Tech Zone
Nanshan District
Shenzhen, PR China 518057

Pulse North China
Room 2704/2705
Super Ocean Finance Ctr.
2067 Yan An Road West
Shanghai 200336
China

Pulse South Asia
135 Joo Seng Road
#03-02
PM Industrial Bldg.
Singapore 368363

Pulse North Asia
3F, No. 198
Zhongyuan Road
Zhongli City
Taoyuan County 320
Taiwan R. O. C.
Tel: 886 3 4356768
Fax: 886 3 4356823 (Pulse)
Fax: 886 3 4356820 (FRE)

Tel: 858 674 8100
Fax: 858 674 8262

Tel: 49 7032 78060
Fax: 49 7032 7806 135

Tel: 86 755 33966678
Fax: 86 755 33966700

Tel: 86 21 62787060
Fax: 86 2162786973

Tel: 65 6287 8998
Fax: 65 6287 8998

Performance warranty of products offered on this data sheet is limited to the parameters specified. Data is subject to change without notice. Other brand and product names mentioned herein may be trademarks or registered trademarks of their respective owners. © Copyright, 2013. Pulse Electronics, Inc. All rights reserved.