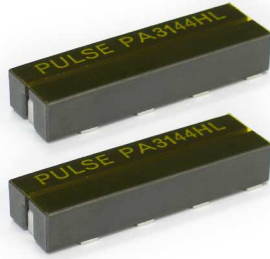
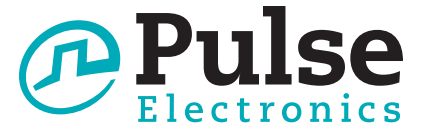


# SMT POWER INDUCTORS

Power Beads - PA314xHL Series Coupled Inductor



- Gen 3.0 Coupled Inductors (2, 3, 4 and 5 phases)
- For use only with Volterra chipsets
- Coupled Inductors enable:
  - Phase ripple current reduction due to AC magnetic field cancellation within the inductor core.
  - Improved efficiency due to lower peak currents
  - Reduction in required output capacitance

### Electrical Specifications @ 25°C - Operating Temperature -40°C to +130°C

Part Number	Number of Coupled Phases	Equivalent Transient <sup>1</sup> Inductance per Phase (nH+/-20%)	I <sub>rated</sub> <sup>2</sup> (Adc)	I <sub>max</sub> <sup>2</sup> Peak per Phase (Adc)	OCL <sup>3</sup> (nH Min, 0Adc)	DCR/Phase (mΩ Max)
PA3142HL	2	50	50	80	150	.25
PA3143HL	3				250	
PA3144HL	4				350	
PA3145HL	5				450	

#### Notes:

1. In a non-coupled multi-phase topology, the power supply sees the same inductance during transient and steady-state conditions. As a result, any attempt to lower the inductance to improve transient response has the negative result of increasing ripple and peak currents throughout the system during steady-state operation. However, in a coupled inductor multi-phase topology, the interaction of magnetic fields from each phase enables an overall reduction in ripple current during steady-state operation and a lower equivalent inductance during transient operation. The equivalent transient inductance per phase, as listed, represents the actual value of inductance (Lk) that would be required in a non-coupled topology to realize the same transient performance. For more information on the

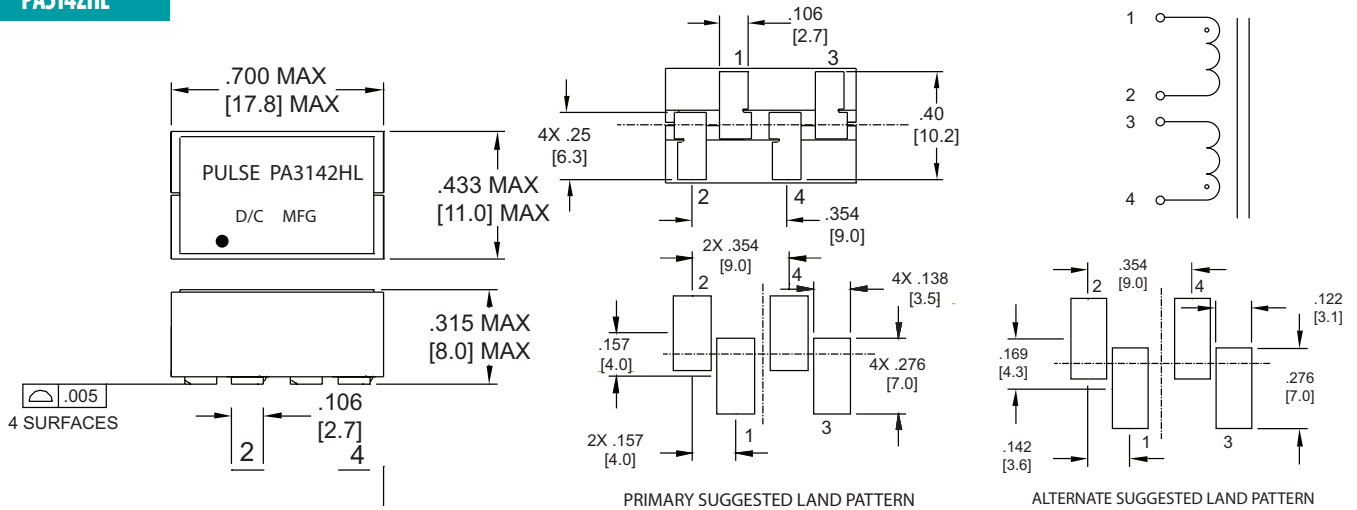
operation of the coupled inductor topology, please contact Volterra.

2. The rated current and peak current are based on Volterra's testing of the Pulse coupled inductors. For more information, please contact Volterra.

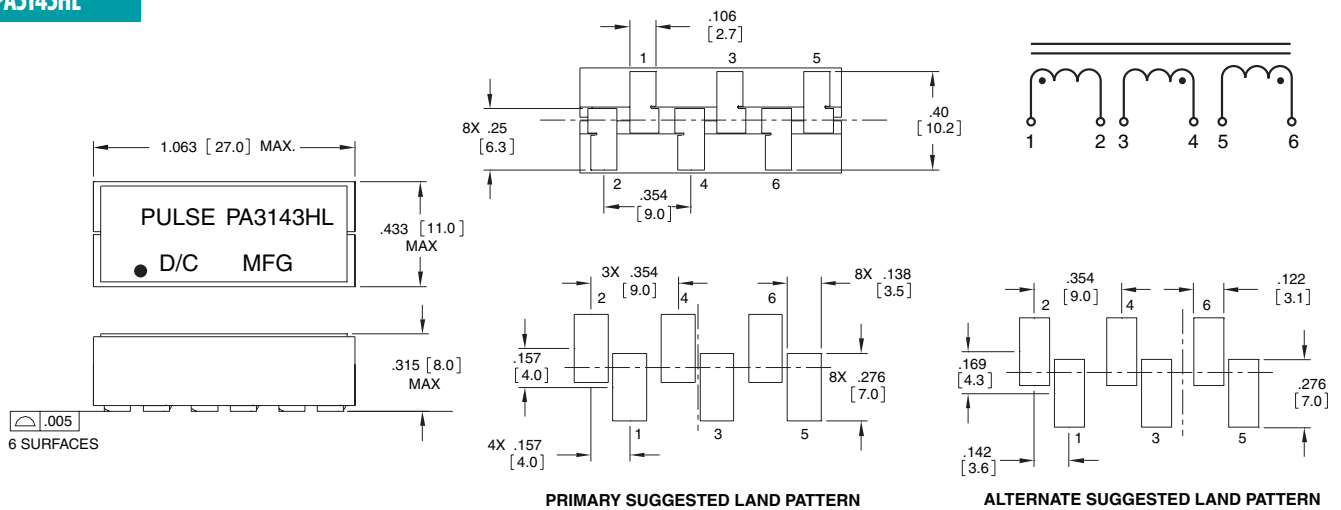
3. The open-circuit inductance per phase is measured inductance across each phase (ie: measured at (1-2) or (3-4) or (5-6) or (7-8), when all other windings are open) when all other phases are open circuit. The open circuit inductance is equal to the magnetizing inductance per phase (Lm) plus the equivalent transient inductance (Lk).

## Mechanicals

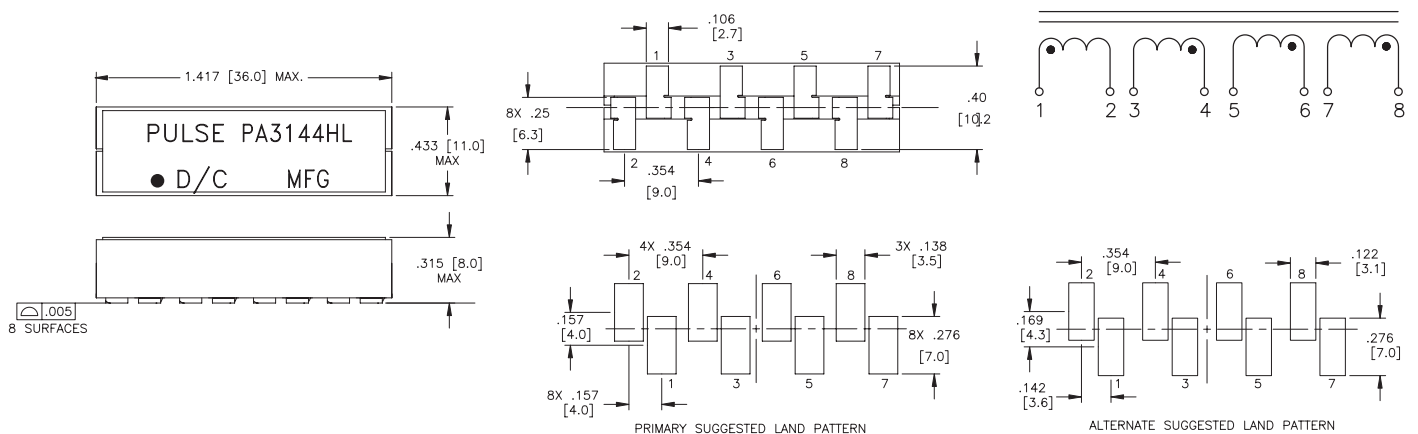
### PA3142HL



### PA3143HL



### PA3144HL



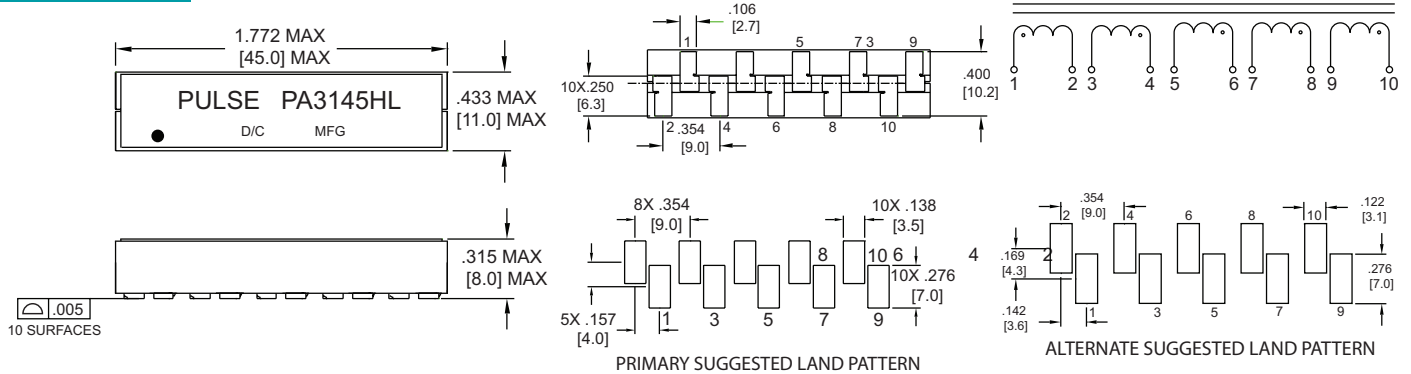
# SMT POWER INDUCTORS

Power Beads - PA314xHL Series Coupled Inductor

## Mechanicals

## Schematics

### PA3145HL



## For More Information

### Pulse Worldwide Headquarters

12220 World Trade Drive  
San Diego, CA  
92128  
U.S.A.

Tel: 858 674 8100

### Pulse Europe

Einsteinstrasse 1  
D-71083 Herrenberg  
Germany

Tel: 49 7032 7806

### Pulse China Headquarters

B402, Shenzhen Academy of  
Aerospace Technology Bldg.  
10th Kejian Road  
High-Tech Zone  
Nanshan District  
Shenzen, PR China  
518057

### Pulse North China

Room 2704/2705  
Super Ocean Finance  
Ctr.  
2067 Yan An Road  
West  
Shanghai 200336  
China

### Pulse South Asia

135 Joo Seng Road  
#03-02  
PM Industrial Bldg.  
Singapore 368363

Tel: 65 6287 8998  
Fax: 65 6287 8998

### Pulse North Asia

3F, No. 198  
Zhongyuan Road  
Zhongli City  
Taoyuan County 320  
Taiwan R. O. C.  
Tel: 886 3 4356768  
Fax: 886 3 4356823  
(Pulse)

Performance warranty of products offered on this data sheet is limited to the parameters specified. Data is subject to change without notice. Other brand and product names mentioned herein may be trademarks or registered trademarks of their respective owners. © Copyright, 2012. Pulse Electronics, Inc. All rights reserved.