

SMT POWER INDUCTORS

Unshielded Drum Core - PF0638NL Series



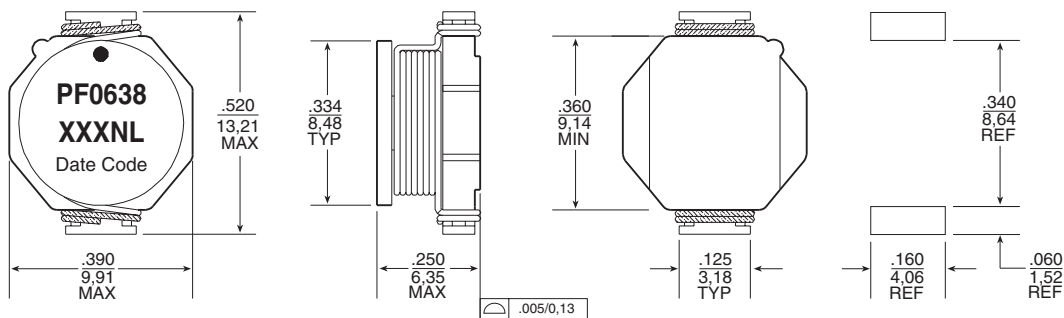
- Height:** 6.35mm Max
- Footprint:** 13.21mm x 9.91mm Max
- Current Rating:** up to 17A
- Inductance Range:** 0.12μH to 10μH
- 260°C** reflow peak temperature qualified

Electrical Specifications @ 25°C — Operating Temperature -40°C to +125°C

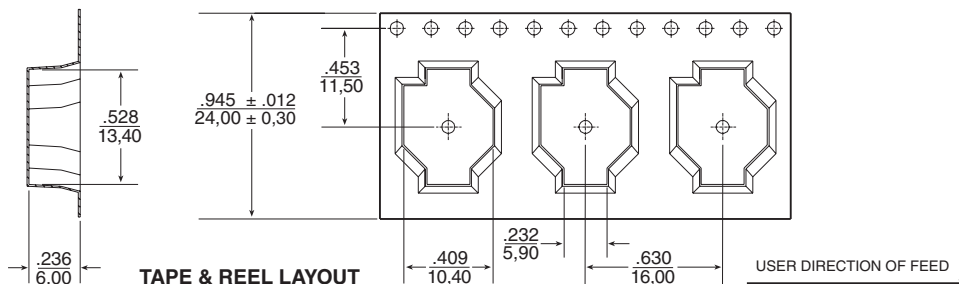
Part ⁴ Number	Inductance @0Adc (μH ±20%)	I _{rated} ¹ (A)	DCR (mΩ MAX)	Saturation ² Current I _{sat} (A)	Heating ³ Current I _{dc} (A)	SRF (MHz TYP)
PF0638.121NL	0.12	17	1.5	28	17	200
PF0638.331NL	0.33	16	2	20	16	200
PF0638.681NL	0.68	12	5	13	12	150
PF0638.102NL	1.0	10	6	11	10	100
PF0638.152NL	1.5	9	10	9	9	90
PF0638.222NL	2.2	7.4	11	7.8	7.4	80
PF0638.272NL	2.7	6.6	12	7	6.6	65
PF0638.332NL	3.3	5.9	14	6.4	5.9	60
PF0638.392NL	3.9	5.3	15	5.9	5.3	50
PF0638.472NL	4.7	4.8	18	5.4	4.8	45
PF0638.682NL	6.8	4.4	25	4.6	4.4	40
PF0638.103NL	10	3.7	34	4	3.7	32

Mechanical

Schematic



SUGGESTED PAD LAYOUT



TAPE & REEL LAYOUT

Weight1.3 grams
Tape & Reel.....600/reel

Dimensions: Inches
mm
Unless otherwise specified,
all tolerances are ± .004
0,10

SMT POWER INDUCTORS

Unshielded Drum Core - PF0638NL Series



Notes from Tables

1. The rated current as listed is either the saturation current @ 25°C or the heating current depending on which value is lower.
2. The saturation current I_{sat} is the current which causes the inductance to drop by 10% typical at an ambient temperature of 25°C. This current is determined by placing the component in the specified ambient environment and applying a short duration pulse current (to eliminate self-heating effects) to the component.
3. The heating current I_{dc} is the dc current which causes the temperature rise of the part to increase by approximately 40°C. This current is determined by mounting the component on a typical application PCB and applying the current to the device for 30 minutes.
4. Optional Tape and Reel packaging can be ordered by adding a "T" suffix to the part number (i.e. PF0638.103NL becomes PF0638.103NLT). Pulse complies to industry standard tape and reel specification EIA481.

Typical Inductance vs Current Characteristics

