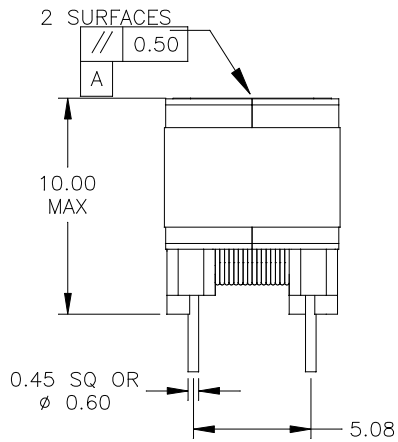
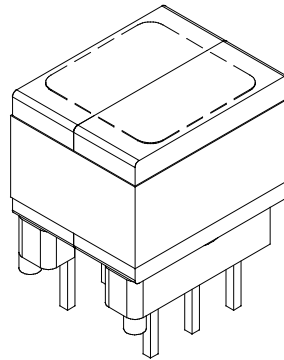
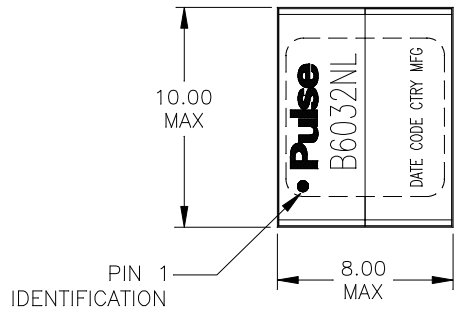


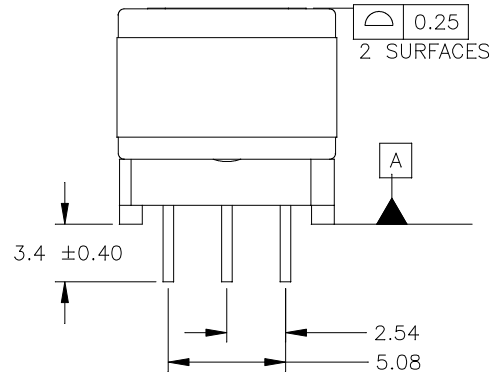
NOTES: UNLESS OTHERWISE SPECIFIED

Electrical Specification @ 25°C – Operating Temperature –40°C To +85°C

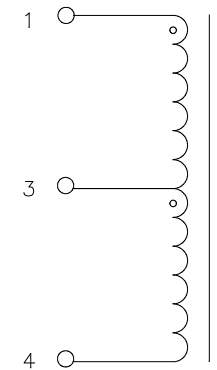
1. RoHS-6 COMPLIANCE SMD PRODUCT



FINAL OUTLINE



Part Number	Turns Ratio (1-4) : (3-4) 10KHz, 0.1V	OCL (1-4) 10KHz, 0.1V (uH)
B6032NL	13.5 ± 2%	212 ± 6%
DCR (1-3) OHMS MAX	DCR (3-4) mOHMS MAX	HIPOT (1-4) To Core
1.8	45	600VAC, 3sec



SCHEMATIC

Dimensions: mm, unless otherwise specified tolerance = ±.10

© Copyright, 2010. Pulse Engineering, Inc. All rights reserved. Drawing specifications subject to change without notice. (10/22/10)

PULSE CONFIDENTIAL & PROPRIETARY	PRODUCT DESCRIPTION	PS DRAWING	SHEET:	DWG. NO./ PART NO.	REV.
	XFMR, PWR, SGL, THT, EP7	PS-2398.XXX-A	1	B6032NL	M11