

## Description

The KHZ-023-6625FF is a 66-type connecting block incorporating 25 separate symmetrical 20 kHz third-order low-pass filters. It is designed to expedite the service delivery of commercial wide band data communications. This model filters 25 telephone station lines at the Private Branch Exchange equipment room. Each tip and ring from station 1 at the top to station 25 at the bottom has a filter installed between the left and right side of the block. (See diagrams and notes on page 2.)

## Features

- Isolates digital telephone equipment from wide band data communications wiring
- Attenuate wide band data signals to a digital private branch exchange and to prevent radiation into other electronic equipment
- Minimize out of band transmission interference
- Compatible with all major xDSL standards including ADSL Full rate (ITU-T G.992.1), ADSL G.Lite (ITU-T G.992.2), ADSL2 (ITU-T G.992.3 and .4), ADSL2+ (ITU-T G.992.5 in analog mode), ADSL2++, VDSL (ITU-T G.993.1), VDSL2
- FCC CFR 47 Part 68 Compliant

## Applications

The KHZ-023-6625FF filters are used to isolate Digital Service Units (DSUs) such as the TUT Home Run from a digital PBX in commercial institutions, e.g. hotels. The DSUs are coupled to the telephone station wiring in the PBX equipment room, which can then provide Internet access to the individual stations.

## Specifications

The third-order low-pass filters provide an insertion loss of less than 0.5 dB to 3 kHz, less than 2 dB loss up to 12 kHz, a 60 kHz stop band loss of

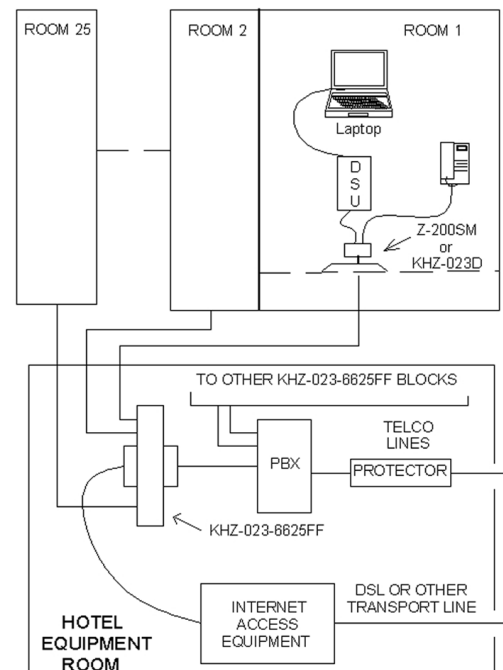


Z-BLOCKER® KHZ-023-6625FF  
Filter Block

greater than 20 dB, and a 100 Ohm return loss of greater than 20 dB to 12 kHz.

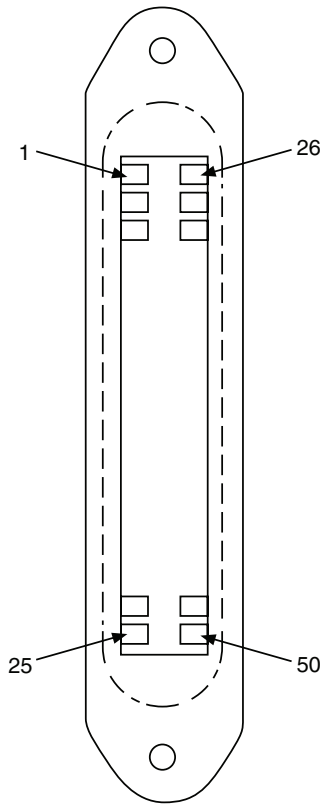
## Dimensions and Mounting

10" high x 4" wide x 2.75" deep. The unit mounts with two screws to a wall or backboard. The integrated standoff is removable to enable the filter block to be installed on an existing standoff in the equipment room.



KHZ-023-6625FF block diagram

## KHZ-023-6625FF Filter Block



The type 66 filter block replaces the existing 66 filters block which interconnects the PBX line wiring to the station phone wiring. The RJ-21 connectors are supplied with the unit to provide for quick connections to the PBX and wide-band modems. For live installations, the PBX lines can be punched down on the new filter block one at a time using a standard type 714 tool. For a connectorized PBX, jumpers may be used to bridge individual stations from old block to the new block, or the cable plugs can be removed to the new connectors in a matter of seconds.

### CONNECTIONS FOR KHZ-023-6625FF KHZ FILTER BLOCK

CKT	LEAD	PIN	CKT	LEAD	PIN
1	T R	26 1	14	T R	39 14
2	T R	27 2	15	T R	40 15
3	T R	28 3	16	T R	41 16
4	T R	29 4	17	T R	42 17
5	T R	30 5	18	T R	43 18
6	T R	31 6	19	T R	44 19
7	T R	32 7	20	T R	45 20
8	T R	33 8	21	T R	46 21
9	T R	34 9	22	T R	47 22
10	T R	35 10	23	T R	48 23
11	T R	36 11	24	T R	49 24
12	T R	37 12	25	T R	50 25
13	T R	38 13		T R	

