

C6131SNL

- o DIPLEXER MODULE
- o 5-1002/1125-1525 MHz
- o IMPEDANCE = 75 OHMS
- o DESIGNED FOR MOCA APPLICATIONS
- o MEETS 3KV, 120A, 10/1000uS FOR SURGE PROTECTION
- o THROUGH HOLE

NOTES: UNLESS OTHERWISE SPECIFIED

1. METAL HOUSING, SPTF
2. COMMON PORT, F-TYPE CONNECTOR
3. OPERATING TEMPERATURE: -40°C TO +85°C
4. JEDEC MOISTURE: LEVEL 1.
5. DIMENSIONS ARE IN INCHES WITH THE FOLLOWING TOLERANCE:
 .XX= ±.02
 .XXX= ±.010
6. ROHS COMPLIANT



ELECTRICAL SPECIFICATIONS: @ 25°C

INSERTION LOSS: LOWPASS

FREQUENCY	
5-1002 MHz	-2.0 dB MAX
1125-1525 MHz	-45 dB MIN
2501-3000 MHz	-40 dB MIN

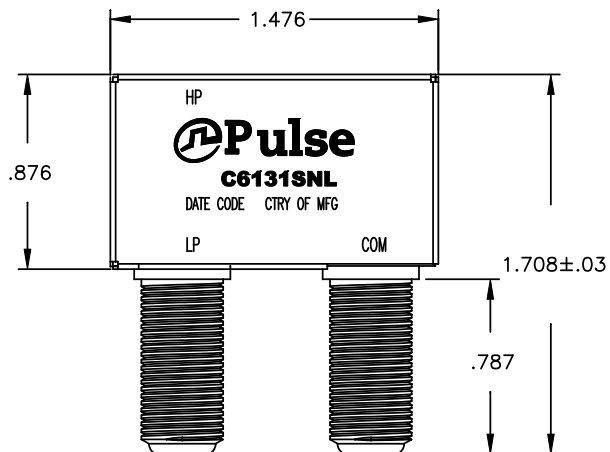
INSERTION LOSS: BANDPASS

FREQUENCY	
5-600 MHz	-40 dB MIN
601-1002 MHz	-38 dB MIN
1125-1525 MHz	-3.0 dB MAX
2300 MHz	-41 dB MIN
3000 MHz	-31 dB MIN

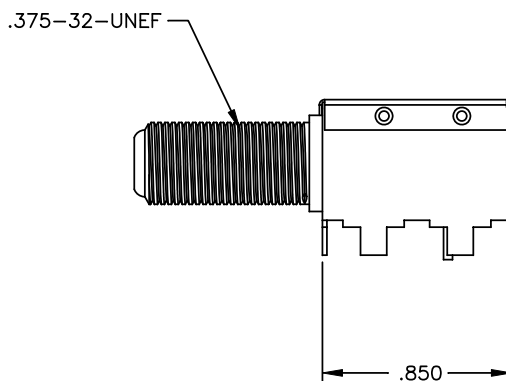
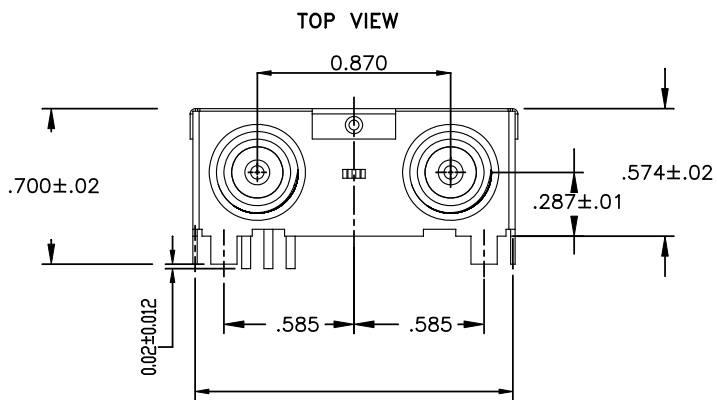
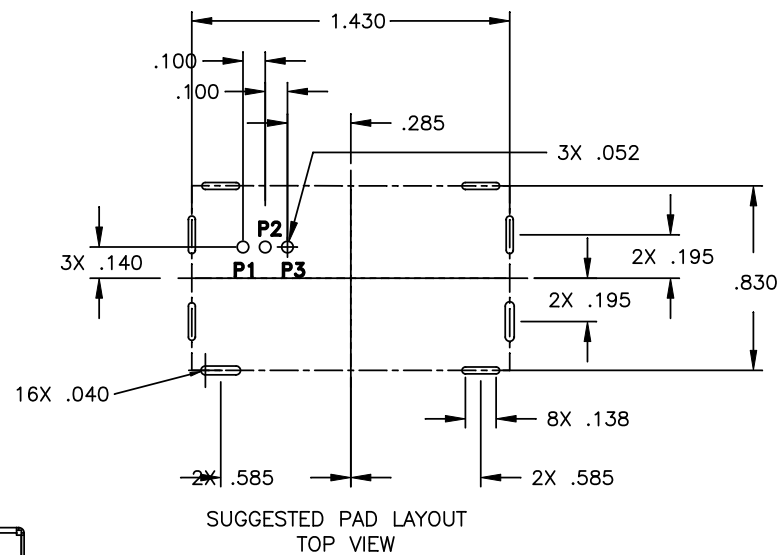
RETURN LOSS: COMMON PORT

FREQUENCY	
5-1002 MHz	-10 dB MIN
1125-1525 MHz	-10 dB MIN

MECHANICAL SPECIFICATIONS:



DESIGNATIONS	
COMMON PORT (COM)	FC2
LOWPASS PORT (LP)	FC1
HIGHPASS PORT (HP)	PIN 2
GROUND (GND)	PINS 1 & 3



FRONT VIEW

SIDE VIEW

© Copyright, 2007. Pulse Engineering, Inc. All rights reserved. Drawing specifications subject to change without notice. Date (11/04/11)

PULSE CONFIDENTIAL
&
PROPRIETARY

PRODUCT SPECIFICATION:
DPLXR, 5-1002/1125-1525 MHz, 2FC, TH

DWG. NO./ PART NO.	SHEET:	REV.
C6131SNL	2	M10