

**C6140NL**

DIPLEXER  
5-1002/1125-1525 MHz  
IMPEDANCE = 75 OHMS  
DESIGNED FOR MOCA APPLICATIONS  
SURFACE MOUNT

NOTES: UNLESS OTHERWISE SPECIFIED

1. METAL COVER
2. FR4 PCB SUBSTRATE WITH IMMERSION SILVER PLATING.
3. OPERATING TEMPERATURE: 0°C TO +70°C
4. JEDEC MOISTURE: LEVEL 1.
5. DIMENSIONS ARE IN INCHES [MM] WITH THE FOLLOWING TOLERANCE:  
.XX= ±.02 [.5]  
.XXX= ±.005 [.13]
6. ROHS COMPLIANT



**ELECTRICAL SPECIFICATIONS: ● 25°C**

INSERTION LOSS: COMMON TO LOWPASS

FREQUENCY	
5-860 MHz	-0.8 dB MAX
860-1002 MHz	-1.7 dB MAX

INSERTION LOSS: COMMON TO HIGHPASS

FREQUENCY	
1125-1127 MHz	-3.0 dB MAX
1127-1523 MHz	-2.0 dB MAX
1523-1525 MHz	-2.5 dB MAX

REJECTION: COMMON TO LOWPASS

FREQUENCY	
1125-1525 MHz	-37 dB MIN

REJECTION: COMMON TO HIGHPASS

FREQUENCY	
5-860 MHz	-40 dB MIN
860-1002 MHz	-37 dB MIN
2300-2400 MHz	-30 dB MIN
2400-3000 MHz	-20 dB MIN

RETURN LOSS: COMMON PORT

FREQUENCY	
5-860 MHz	-14 dB MIN
860-1002 MHz	-10 dB MIN
1125-1525 MHz	-9 dB MIN

COMMON PORT TRANSIENT VOLTAGE : 200 Volts

© Copyright, 2010. Pulse Engineering, Inc. All rights reserved. Drawing specifications subject to change without notice. Date (01/14/11)

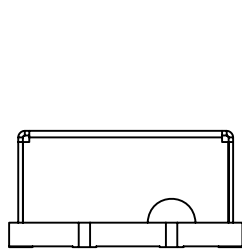
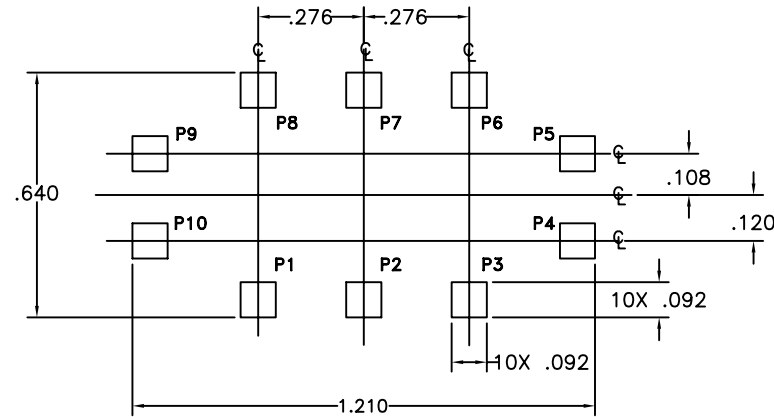
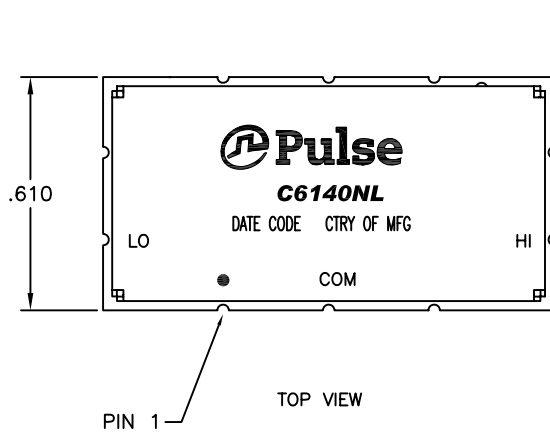
dv

PULSE CONFIDENTIAL  
&  
PROPRIETARY

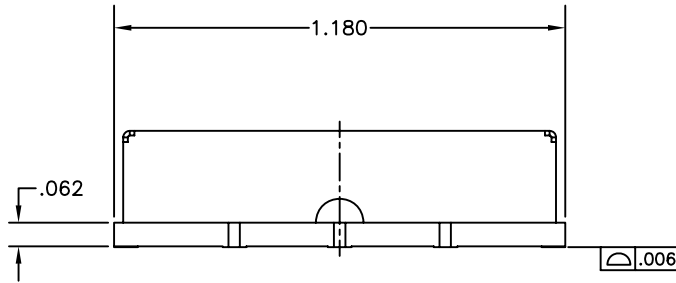
PRODUCT SPECIFICATION:  
DPLXR, 5-1002/1125-1525 MHz, SM

DWG. NO./ PART NO.	SHEET:	REV.
C6140NL	1	M14

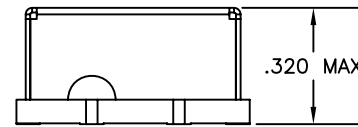
MECHANICAL SPECIFICATIONS:



RIGHT SIDE VIEW



FRONT VIEW



LEFT SIDE VIEW

DESIGNATIONS	
COMMON PORT (COM)	PIN 2
HIGHPASS (HI)	PIN 4
LOWPASS (LO)	PIN 10
GROUND (GND)	PINS 1 & 3
GROUND (GND)	PINS 5,6,7,8,9

© Copyright, 2010. Pulse Engineering, Inc. All rights reserved. Drawing specifications subject to change without notice. Date (01/14/11)

PULSE CONFIDENTIAL  
&  
PROPRIETARY

PRODUCT SPECIFICATION:  
DPLXR, 5-1002/1125-1525 MHz, SM

DWG. NO./ PART NO.	SHEET:	REV.
C6140NL	2	M14