

PRODUCT DATASHEET

PART NUMBER: C6179NL

- Diplexer, 5-85/108-1002MHz
- Impedance = 75 Ohms
- Surface Mount / Metal Cover
- RoHS-Compliant

PRELIMINARY

Electrical Specifications @ 25°C

INSERTION LOSS : [COMMON TO LOW]

5-85 MHz	108-130 MHz	130-500 MHz	500-700 MHz	700-1002 MHz			
1.6 dB Max	45 dB Min	50 dB Min	45 dB Min	35 dB Min			

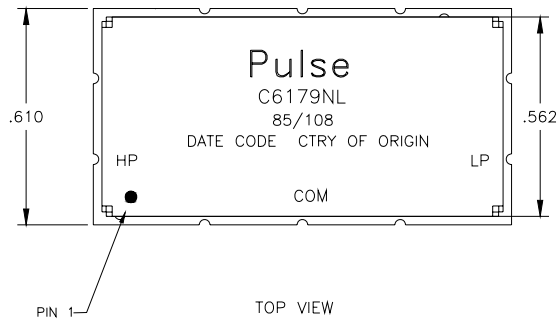
INSERTION LOSS : [COMMON TO HIGH]

5-80 MHz	80-85 MHz	108-1002 MHz					
50 dB Min	43 dB Min	1.6 dB Max					

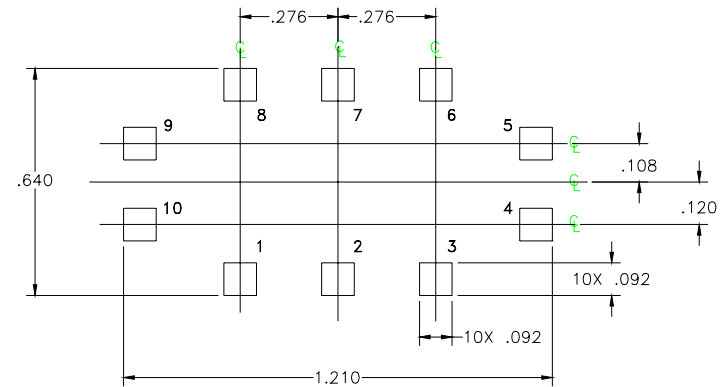
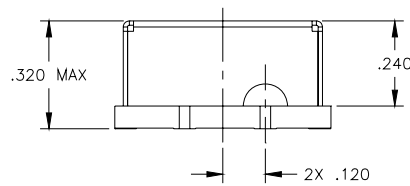
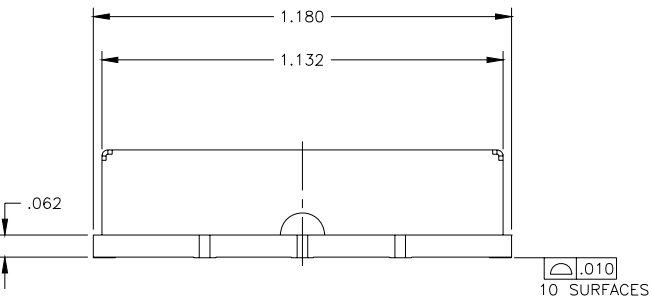
RETURN LOSS : [COMMON PORT]

5-85 MHz	108-1002 MHz						
12 dB Min	12 dB Min						

Mechanical Specifications



DESIGNATIONS	
COMMON PORT (COM)	PIN 2
LOWPASS PORT (LP)	PIN 4
HIGHPASS PORT (HP)	PIN 10
GROUND (GND)	PINS 1 & 3
GROUND (GND)	PINS 5,6,7,8,9



DIMENSIONS	INCH
TOLERANCES	.XX +/- .01
	.XXX +/- .005