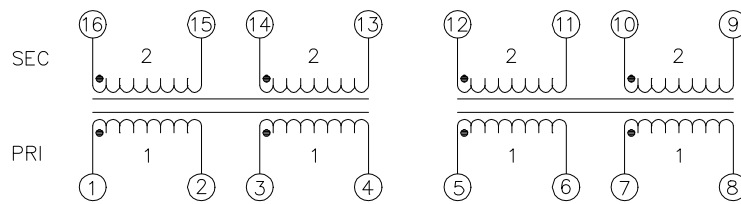


## Electrical

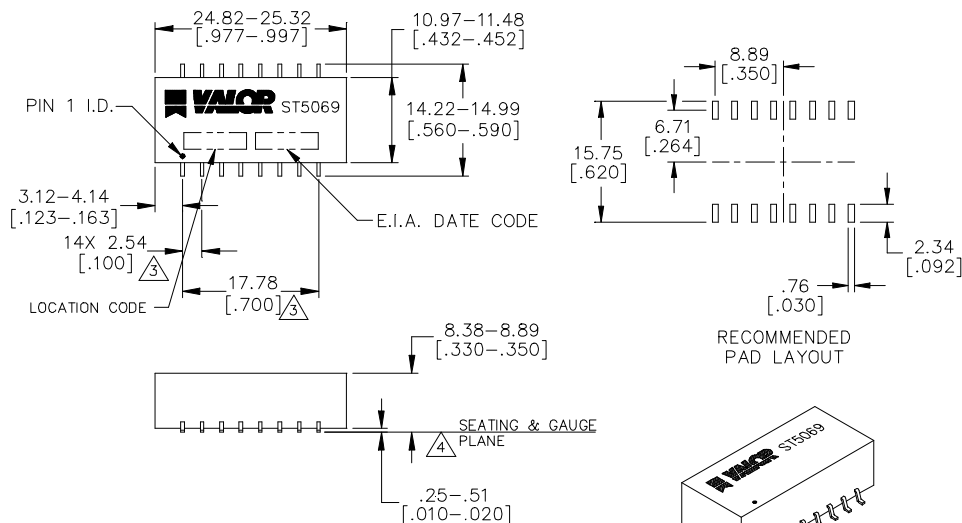


SCHEMATIC

ELECTRICAL SPECIFICATIONS @ 25°C

URNS RATIO	:	1 : 1 : 2 : 2 ± 5% (EACH COIL)
PHASING	:	1, 3, 14, 16, 5, 7, 10, AND 12
ACL	:	0.1V @ 10KHz
(1-4) (2,3 CONN)	:	22mH MIN
(5-8) (6,7 CONN)	:	22mH MIN
LL	:	0.1V @ 100KHz
1-4 (2,3 CONN) 13,14,15,16 SHORT	:	5µH MAX
5-8 (6,7 CONN) 12,11,10,9 SHORT	:	5µH MAX
C <sub>ww</sub>	:	0.1V @ 100KHz
(1,2,3,4) - (13,14,15,16)	:	85pF MAX
(5,6,7,8) - (12,11,10,9)	:	85pF MAX
DCR		
(1-4)=(5-8)	:	3.0 MAX
(16-13)=(12-9)	:	6.0Ω MAX
HIPOT	:	2000VAC
CD	:	1MHz
1-4 (2,3 CONN)	:	80pF MAX
5-8 (6,7 CONN)	:	80pF MAX

## Mechanical



- △4 COPLANARITY: .10 [.004].
  - △3 LEADS WITHIN .13 [.005] RADIUS OF TRUE POSITION AT GAUGE PLANE WITH MAXIMUM MATERIAL CONDITION AND UNIT INSTALLED.
  - 2. LEAD: SOLDERABILITY PER MIL-STD-202, METHOD 208.
  - △1 CASE: BLACK PLASTIC SELF-EXTINGUISHING PER UL94V-0.
- NOTES: UNLESS OTHERWISE SPECIFIED

WEBSITE [www.valorinc.com](http://www.valorinc.com) E-MAIL [marketing@valorinc.com](mailto:marketing@valorinc.com)

**NORTH AMERICA**  
tel 1-800-31 VALOR  
fax 619-537-2525

**ASIA/PACIFIC**  
tel +852-2953-1000  
fax +852-2953-1333

**EUROPE**  
tel +44-1727-824 875  
fax +44-1727-824 898